

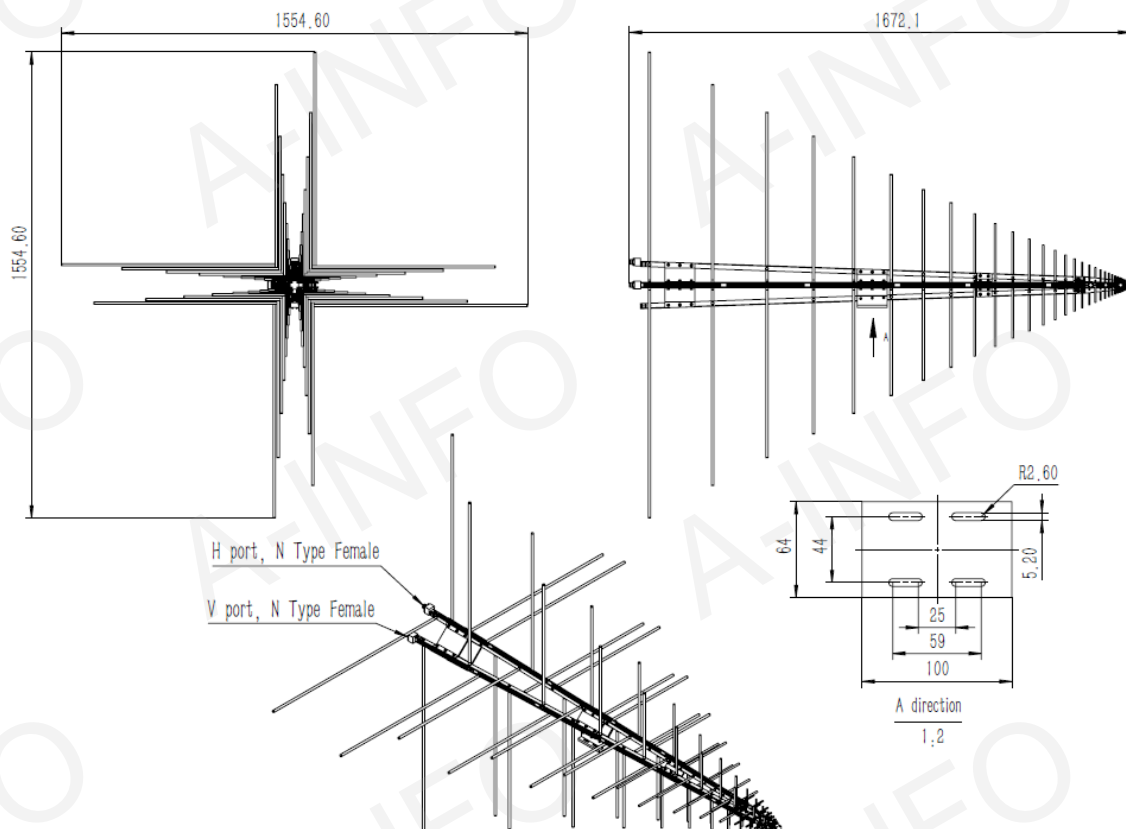
## Technical Specification



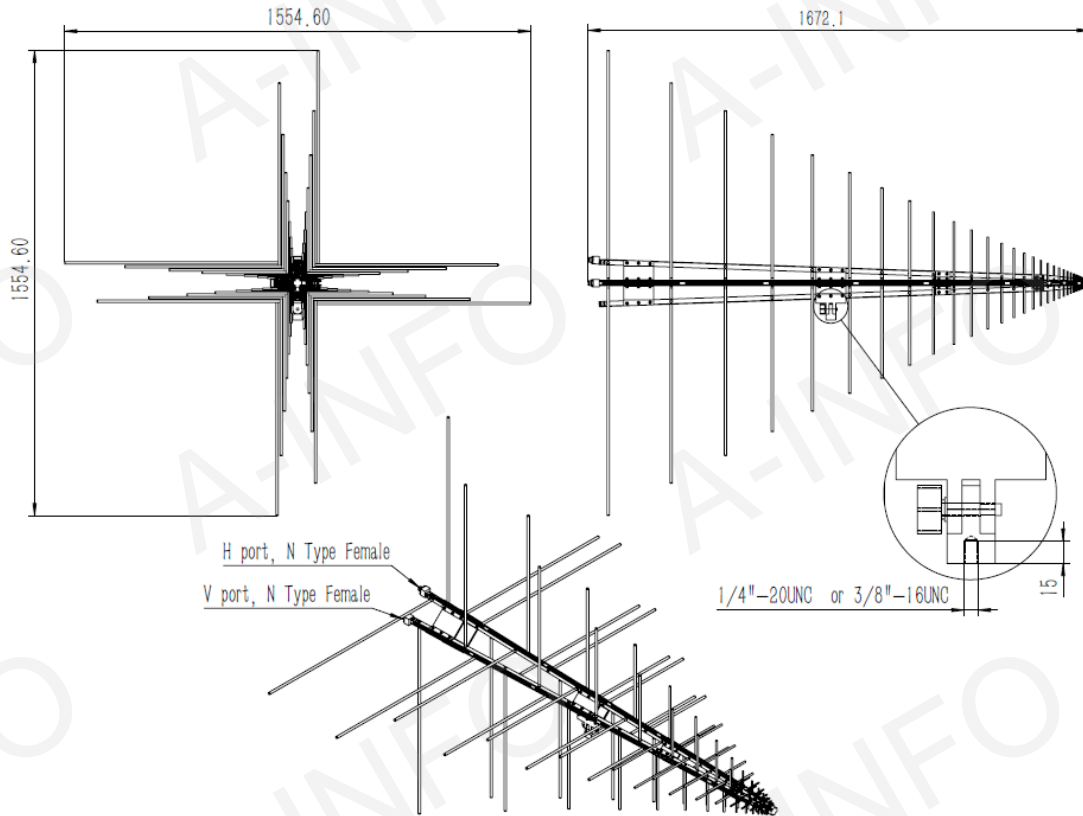
Frequency Range(GHz)	0.1 - 1.0
Gain(dB)	7 Typ.
Polarization	Dual Pol.
VSWR	2.0:1 Typ.
Port to Port Isolation(dB)	20 Min.
Cross Pol. Isolation(dB)	20 Typ.
	10 Min
Connector	N -Female
Size(mm)	1554.6x1554.6x1666.6
Net. Weight(Kg)	5.0 Approx.

## Outline Drawing (Size: mm)

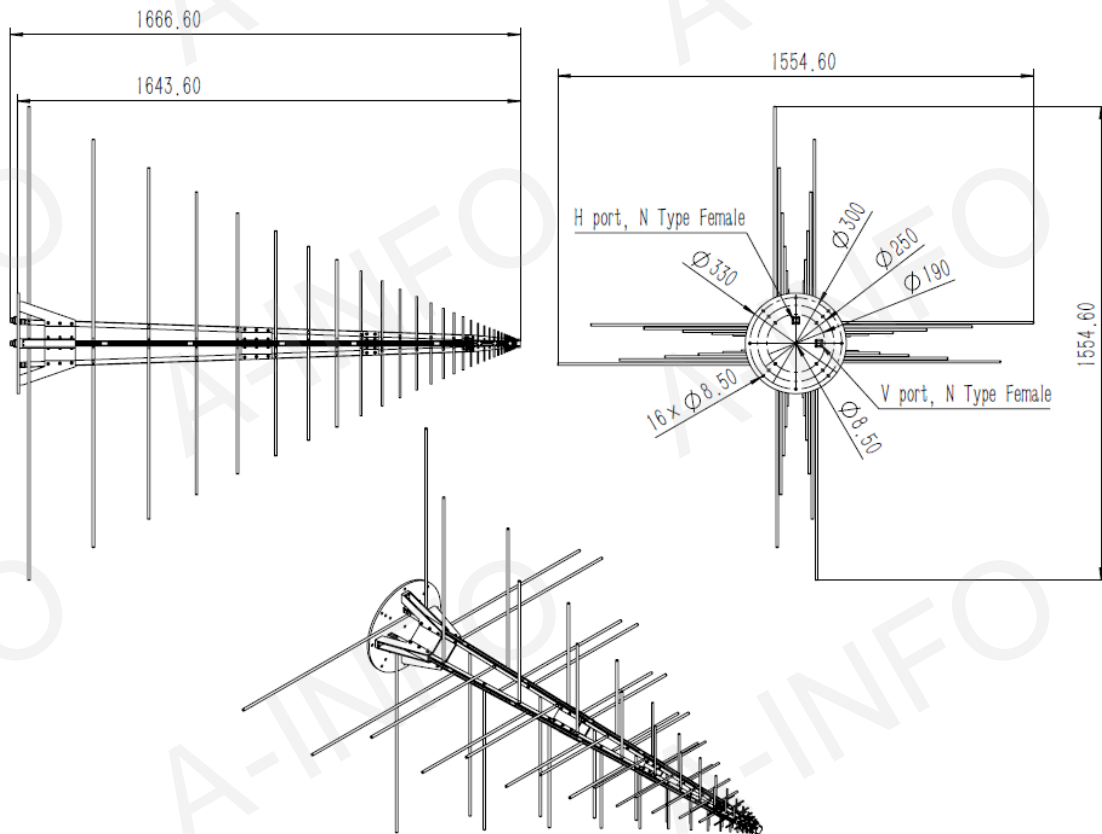
N Female Output with MB (Used for platform installing)



N Female Output with MBA (Used for tripod installing)



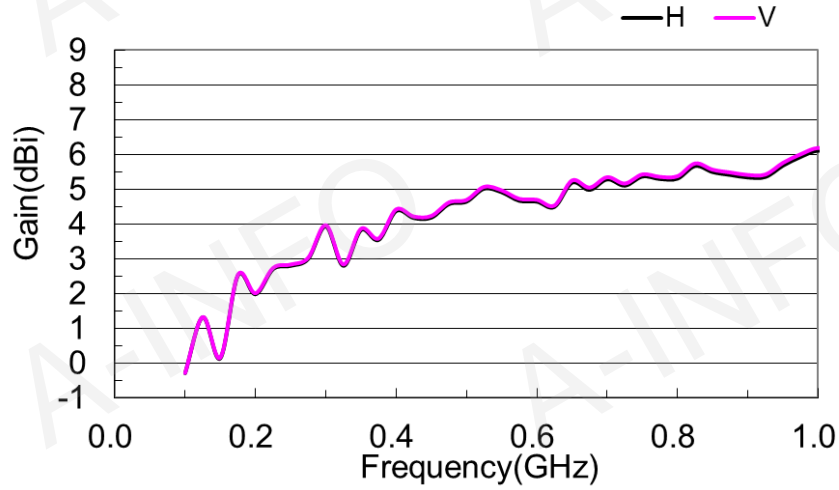
P/N: DS-SJ-10100C, N Female Output, Back Mounting Configuration.



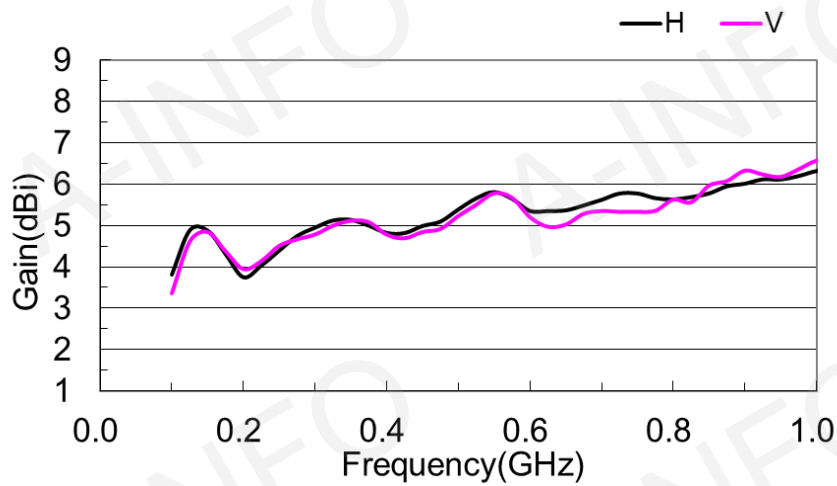
## Test Results

### 1. Gain

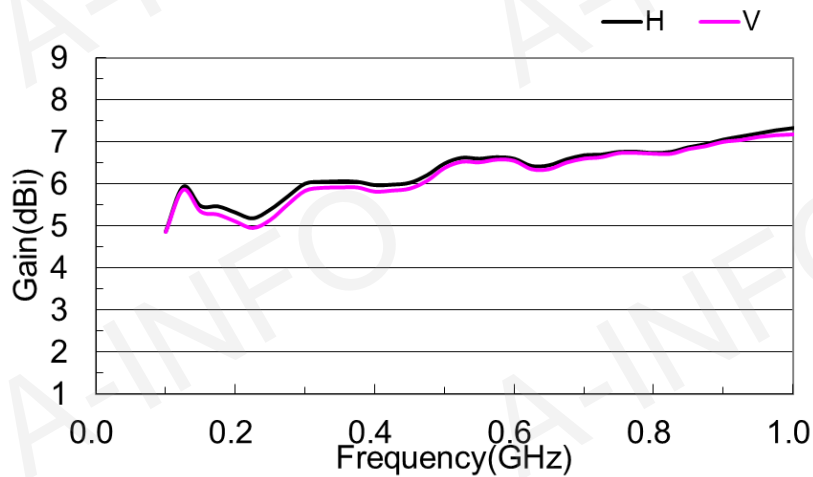
Gain at 1m



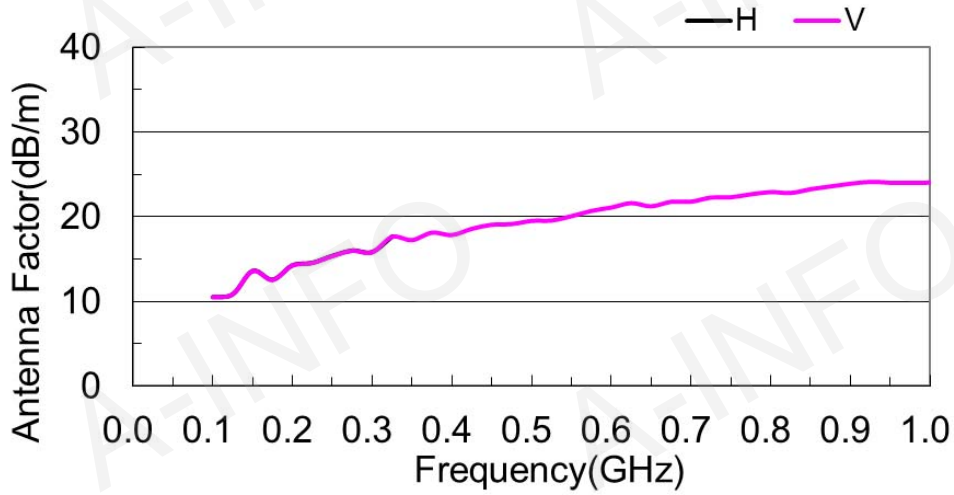
Gain at 3m



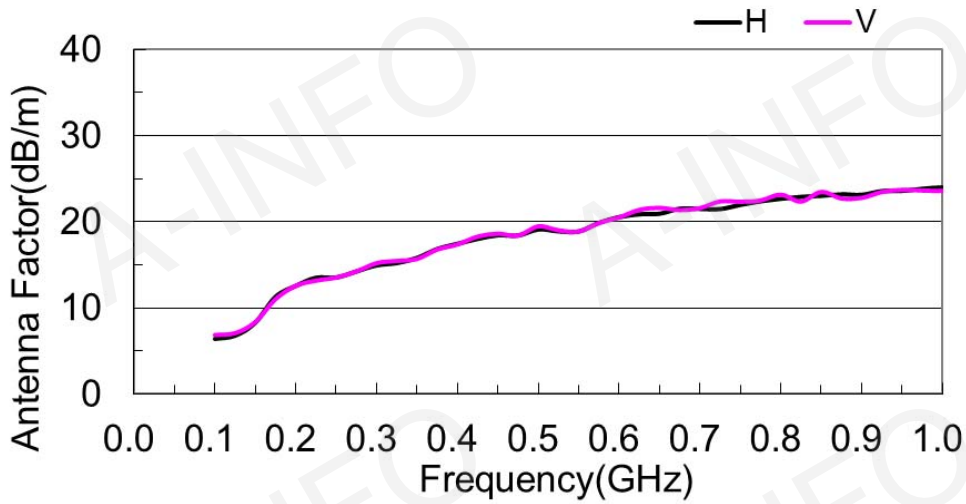
Gain at 10m



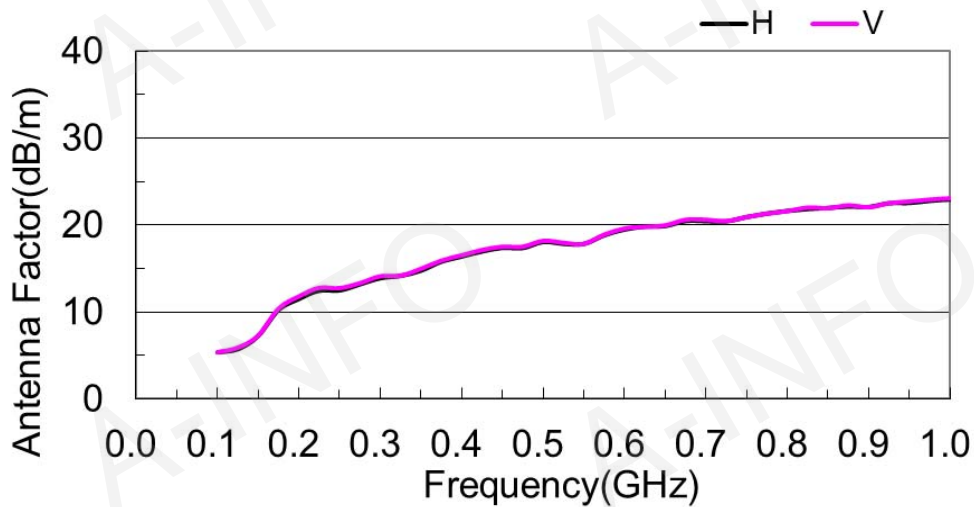
## 2. Antenna Factor AF at 1m



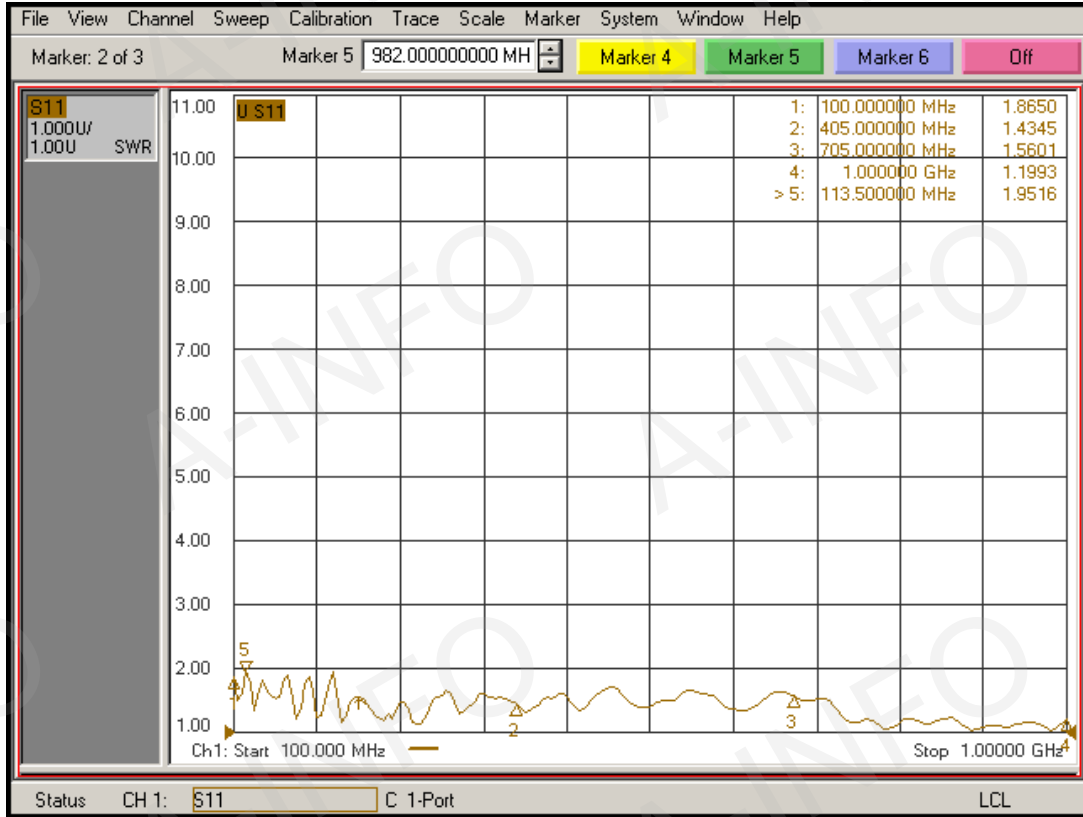
## AF at 3m



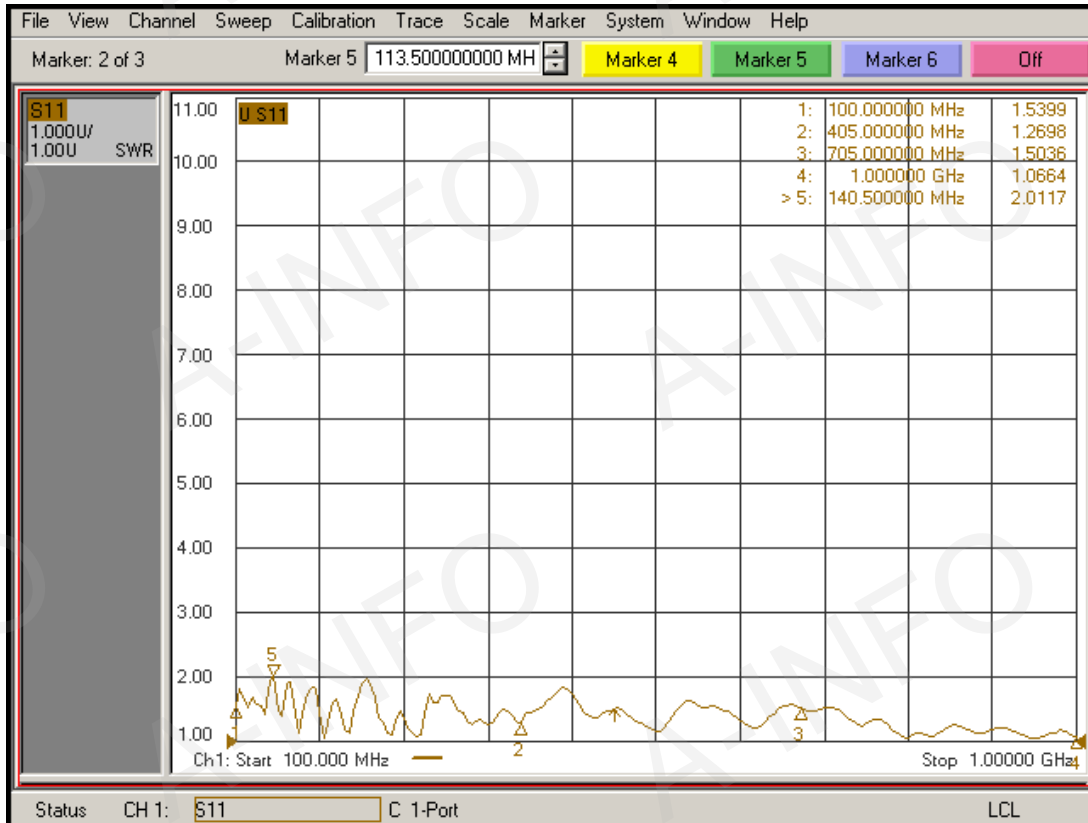
## AF at 10m



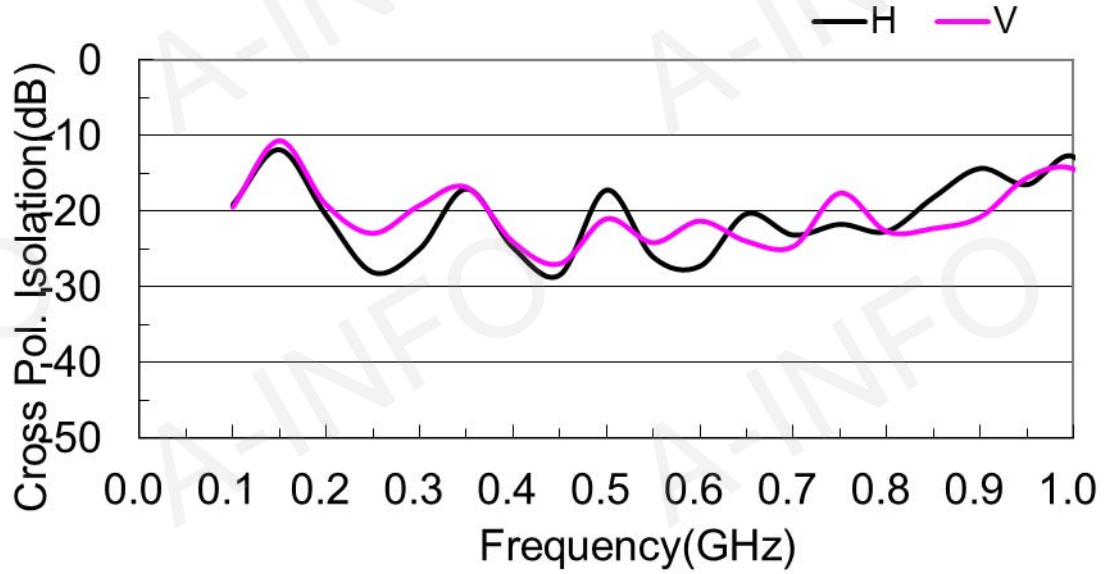
### 3. VSWR Port-V



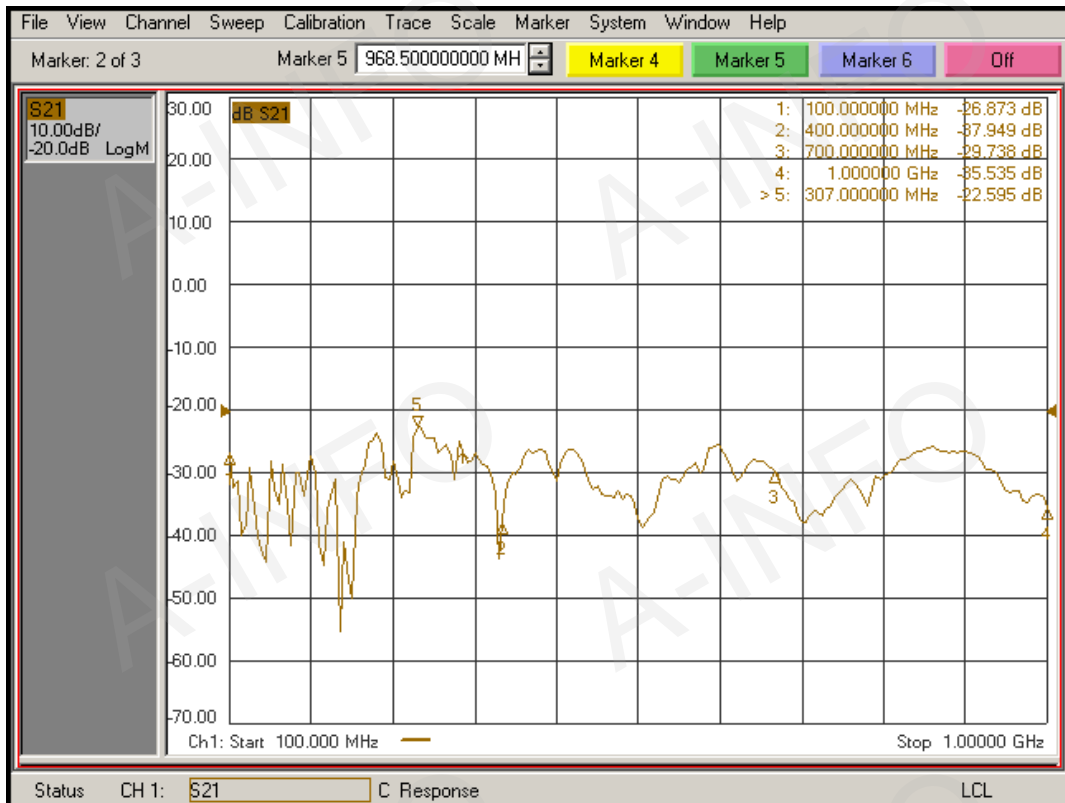
### Port-H



## 4. Cross Polarization Isolation



## 5. Port to Port Isolation



## 6. Pattern

