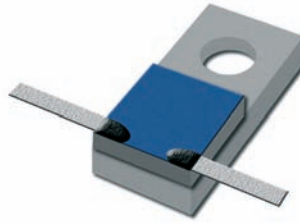
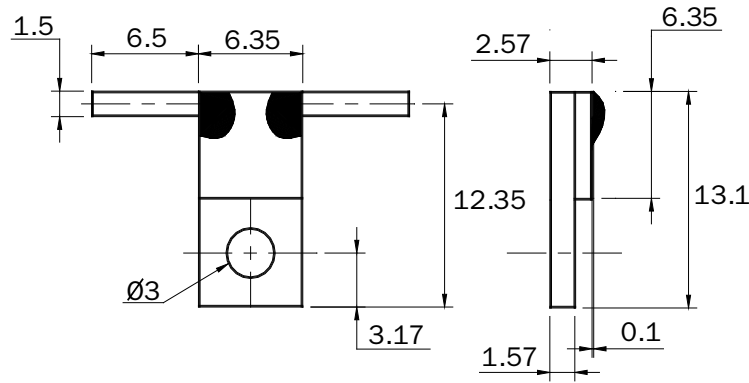
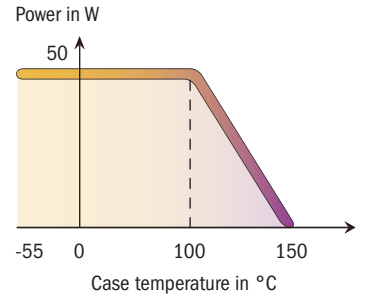




Standards
NF C 96-315
MIL-DTL-3933



Substrate	AIN
Resistive film	Thick film
Tab	Ag
Protection film	Epoxy
Mounting flange/Plating	Cu/Ni
Tab attachment	Brazed with epoxy encapsulation



Dimensions in mm

P/N	Attenuation* (dB)	Frequency (GHz)	Power (W)	Impedance ($\Omega \pm 5\%$)	Max VSWR	Accuracy $\pm \Delta\alpha$ (dB)
16-6738	1	3	50	50	1.25	0.3
16-6743	2	3	50	50	1.25	0.3
16-6744	3	3	50	50	1.25	0.3
16-6739	4	3	50	50	1.25	0.3
16-6745	6	3	50	50	1.25	0.4
16-6746	10	3	50	50	1.25	0.5

mm	inch
0.1	0.004
1.5	0.059
1.57	0.062
2.57	0.101
3	0.118
3.17	0.125
6.35	0.250
6.5	0.256
12.35	0.486
13.1	0.516

* Others values on request