



22WET_Cu WR22 Waveguide E-Plane Tee 33-50GHz with Three Rectangular Waveguide Interfaces

WR22 Waveguide E-Plane Tee Operating From 33 to 50GHz with Three Rectangular Waveguide Interfaces

Product Information

SKU	22WET_Cu
-----	----------

Description

Waveguide E-plane tee 22WET_Cu, operating from 33 to 50GHz with low VSWR 1.50:1. 22WET_Cu is a three-ports waveguide connector. All the ports have standard WR22 waveguides with the same flanges FUGP400(UG-383/U). The waveguide E-plane tees are used to separate the signal at E plane rectangular port into the collinear arm with the two rectangular waveguide ports or synthesize the signal from the two ports of the collinear arm into the E plane port.

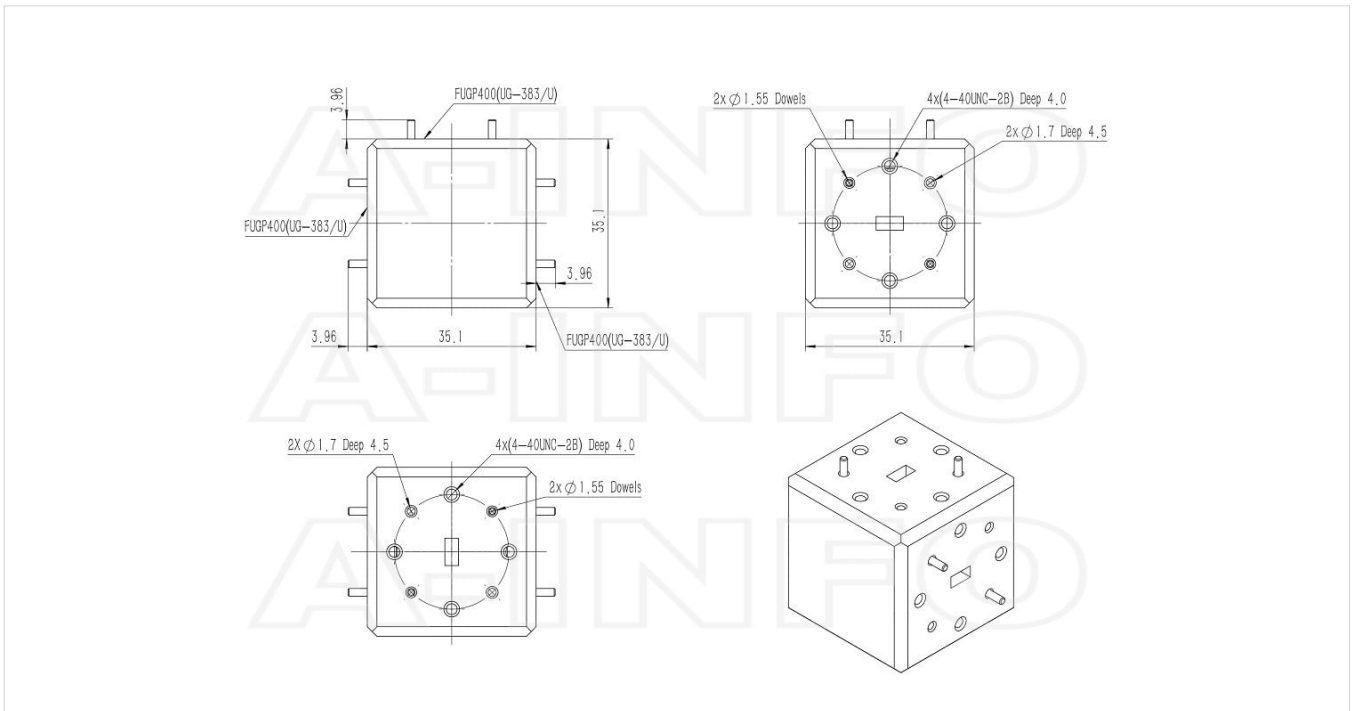
Technical Specification

Electrical Specification		Interface	
WG Tee Type	E-Plane Tee	Flange 3 Style	Round
Waveguide Band	Q	Flange 3 Type	Cover
Waveguide Type	Rectangular	Flange 3 Designation	FUGP400(UG-383/U)
Waveguide Size EIA WR	WR22	Mechanical Specification	
Frequency, Min (GHz)	33	Body Material	Cu
Frequency, Max (GHz)	50	Finish	Gold Plated
I.L., Max (dB)	0.5	Size, L (mm)	35.1
VSWR, Typ	1.50:1	Size, W (mm)	35.1
Amplitude Balance, Max (±dB)	0.5	Size, H (mm)	35.1
Phase Balance, Max (Deg.)	5	Weight, (kg)	0.35
Power Handling, CW, (W)	25	Pressure Sealed	No
Power Handling, Peak, (KW)	15	Environmental Specification	
Interface		Operating Temp. Low (°C)	-55
Flange 1 Style	Round	Operating Temp. High (°C)	85
Flange 1 Type	Cover	Storage Temp. Low (°C)	-60
Flange 1 Designation	FUGP400(UG-383/U)	Storage Temp. High (°C)	90
Flange 2 Style	Round		
Flange 2 Type	Cover		
Flange 2 Designation	FUGP400(UG-383/U)		

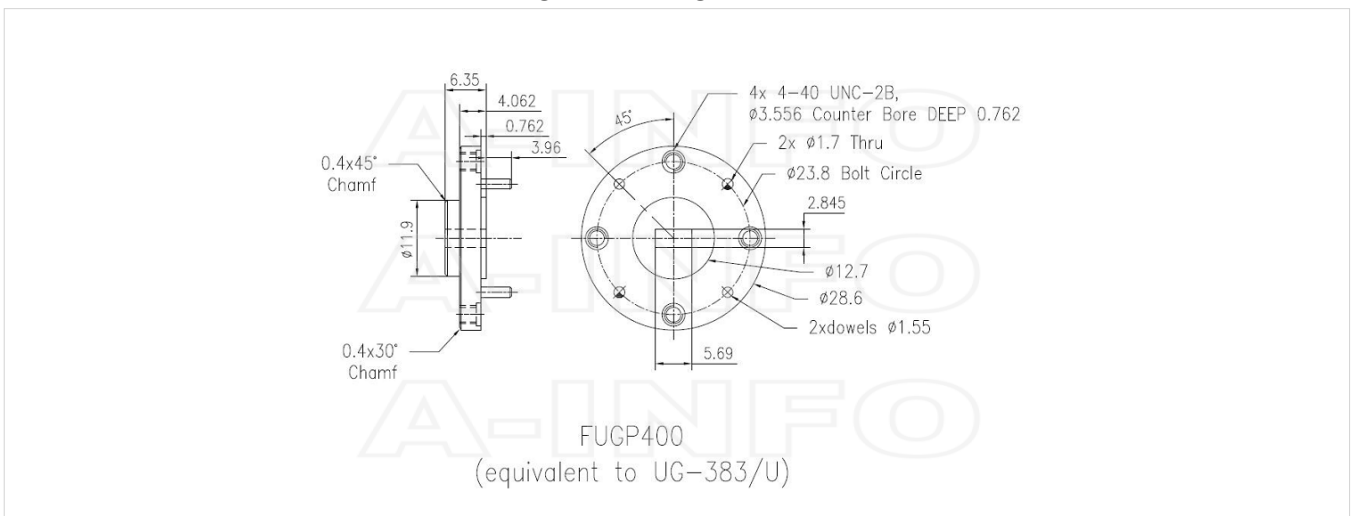
Additional Information

Application	General Purpose Indoor & Outdoor, Fixed
-------------	-----------------------------------------

Outline Drawing(Size: mm)

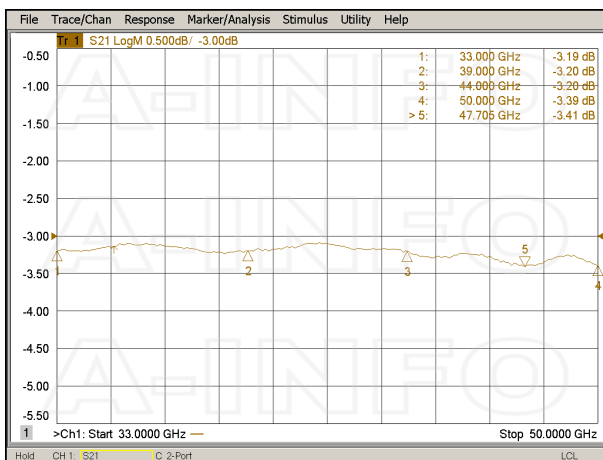


Flange Drawing(Size: mm)

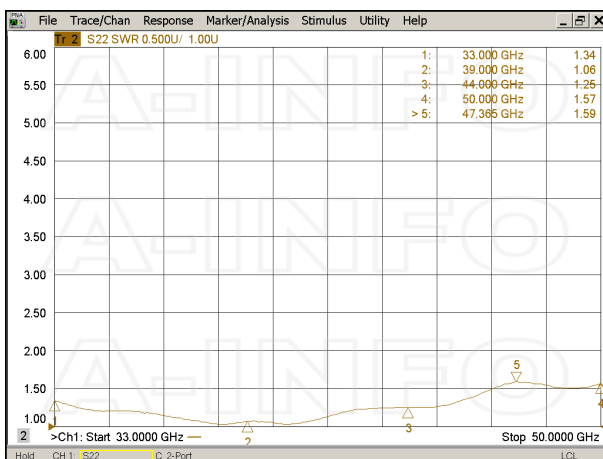


Typical Test Results

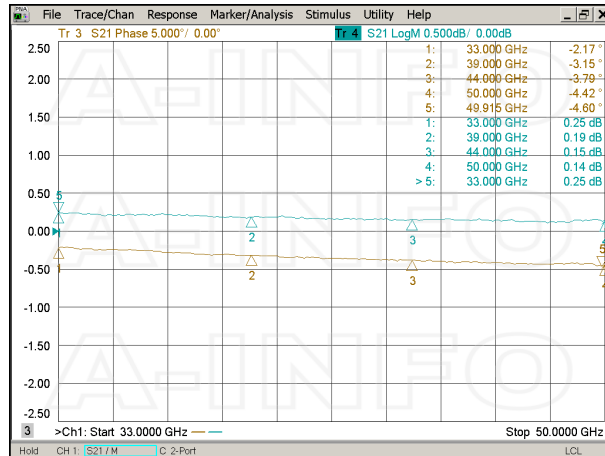
Insertion Loss(Including the theoretical loss 3.0dB)



VSWR



Amplitude Balance & Phase Balance



Similar Products



22WMT_Cu WR22 Waveguide Magic Tee 33-50GHz with Four Rectangular Waveguide Interfaces



28WMT_Cu WR28 Waveguide Magic Tee 26.5-40GHz with Four Rectangular Waveguide Interfaces



28WHT_Cu WR28 Waveguide H-Plane Tee 26.5-40GHz with Three Rectangular Waveguide Interfaces



28WET_Cu WR28 Waveguide E-Plane Tee 26.5-40GHz with Three Rectangular Waveguide Interfaces



19WMT_Cu WR19 Waveguide Magic Tee 40-60GHz with Four Rectangular Waveguide Interfaces



19WET_Cu WR19 Waveguide E-Plane Tee 40-60GHz with Three Rectangular Waveguide Interfaces

About this Datasheet

<ul style="list-style-type: none">● Product Information <p>Product Link: https://www.ainfoinc.com/22wet-cu-wr22-waveguide-e-plane-tee-33-50-ghz-fugp400-ug-383-u Data subject to change without notice. © A-INFO INC. 2024. All Rights Reserved</p>	<ul style="list-style-type: none">● Contact Us <p>Address: 60 Tesla, Irvine, CA 92618, USA</p> <p>Website: www.ainfoinc.com</p> <p>Email: sales@ainfoinc.com</p>	<ul style="list-style-type: none">● Phone & Fax <p>Phone: +1-949-639-9688 +1-949-639-9608</p> <p>Fax: +1-949-639-9670</p>
--------------------------------------------------------------------------------------------------------------------------------------------------------------------------------------------------------------------------------------------------------------------------------------------------------------------------------------------------------------------------------------------	-------------------------------------------------------------------------------------------------------------------------------------------------------------------------------------------------------------------------------------------------------------------------------------	----------------------------------------------------------------------------------------------------------------------------------------------------------------