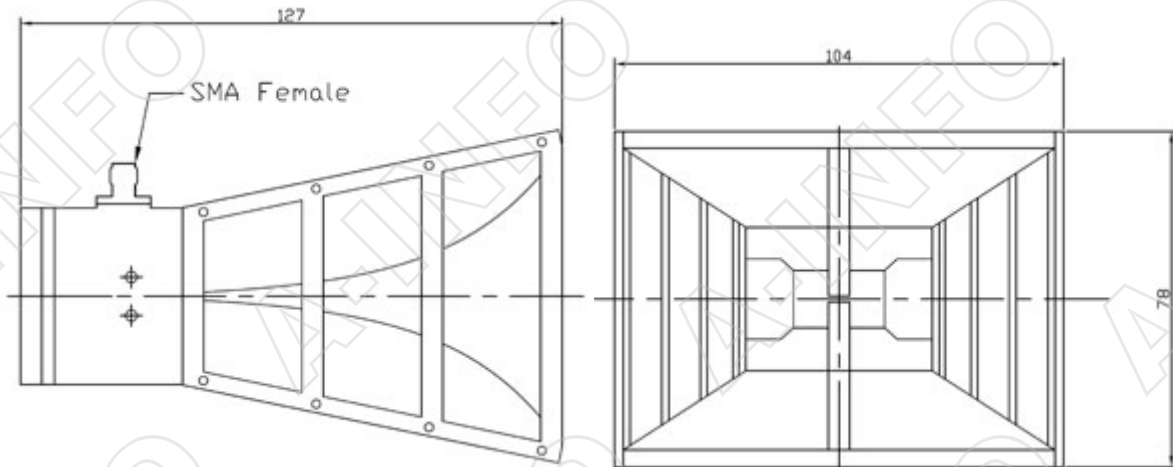


Technical Specification

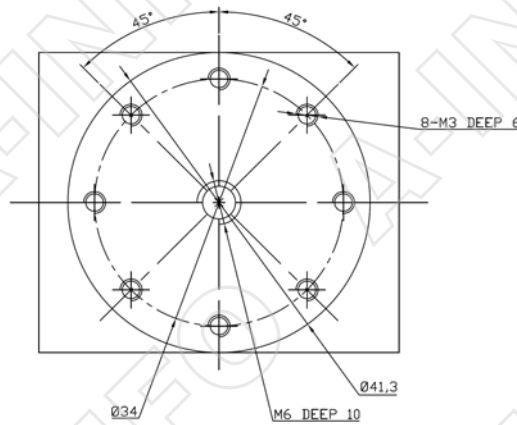


Frequency Range(GHz)	2 - 8	
Gain(dB)	11 Typ.	
Polarization	Linear	
VSWR	1.5:1 Typ.	
	2.5:1 Max	
Connector	SMA-F / N-F	
Power Handling(W)	SMA-F	50 Max. CW
	N-F	150 Max. CW
Size(mm)	104x78x127	
Net Weight(Kg)	0.4 Around	

Outline Drawing (Size: mm)

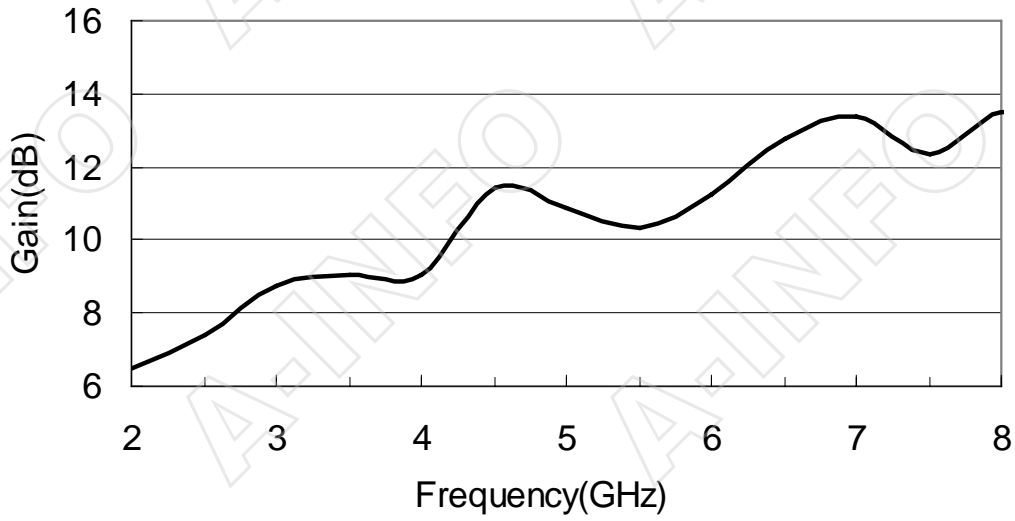


Mounting Flange

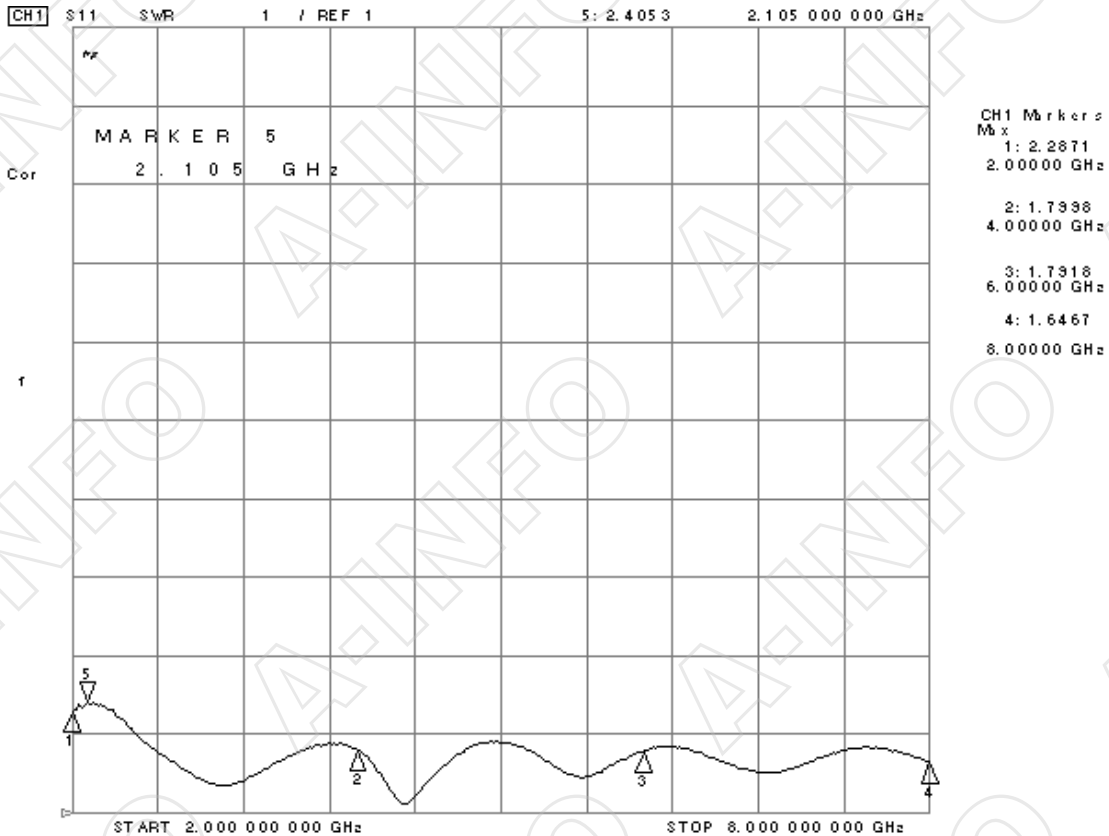


Test Results

1. Gain



2. VSWR



3. Pattern

