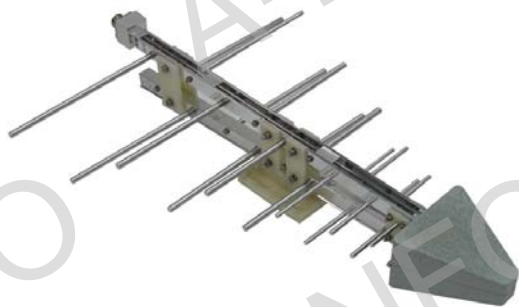
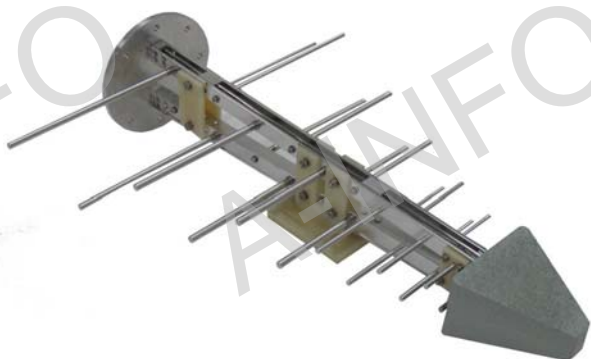


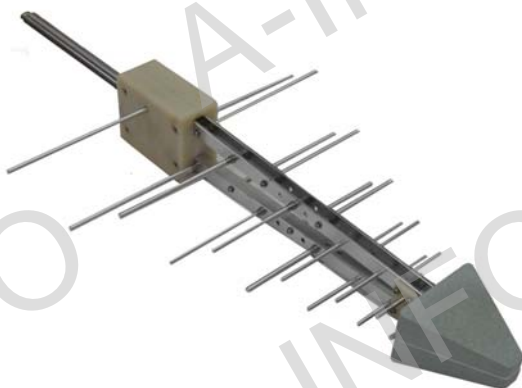
Technical Specification



<i>P/N: DS-50800</i>	
Frequency Range(GHz)	0.5-8.0
Gain(dB)	7 Typ.
Polarization	Linear
3dB Beamwidth(deg)	110-40
VSWR	2.0 Typ.
	3.0 Max
Output	N-Female
Size(mm)	355 x 494.8
Net Weight(Kg)	0.7 Around



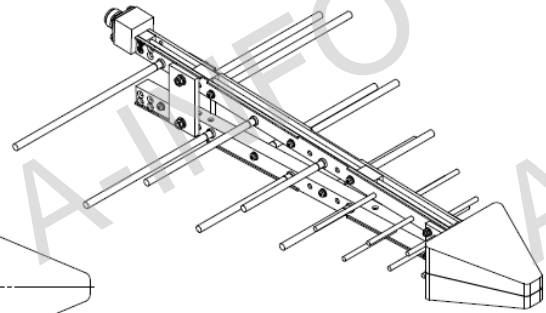
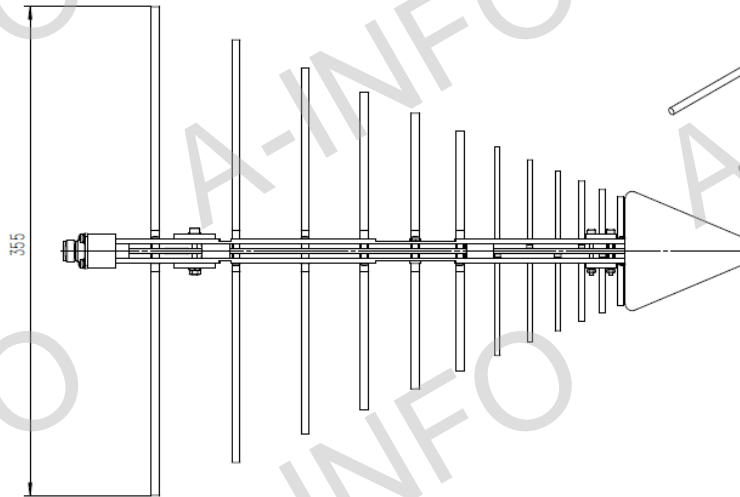
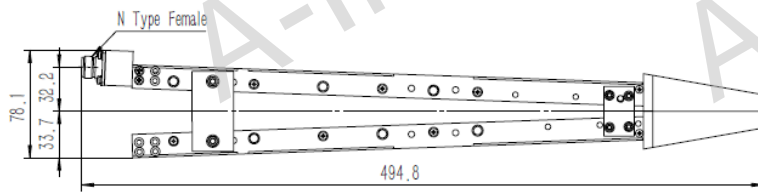
<i>P/N: DS-50800C</i>	
Frequency Range(GHz)	0.5-8.0
Gain(dB)	7 Typ.
Polarization	Linear
3dB Beamwidth(deg)	110-40
VSWR	2.0 Typ.
	3.0 Max
Output	N-Female
Size(mm)	355 x 487.1
Net Weight(Kg)	0.84 Around



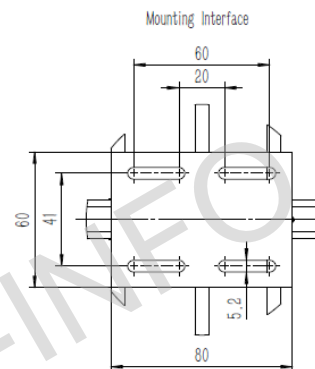
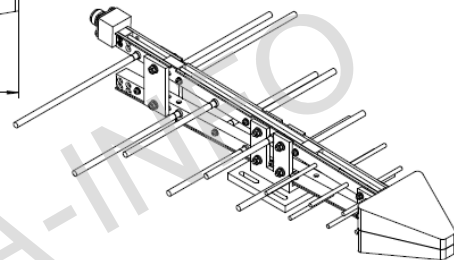
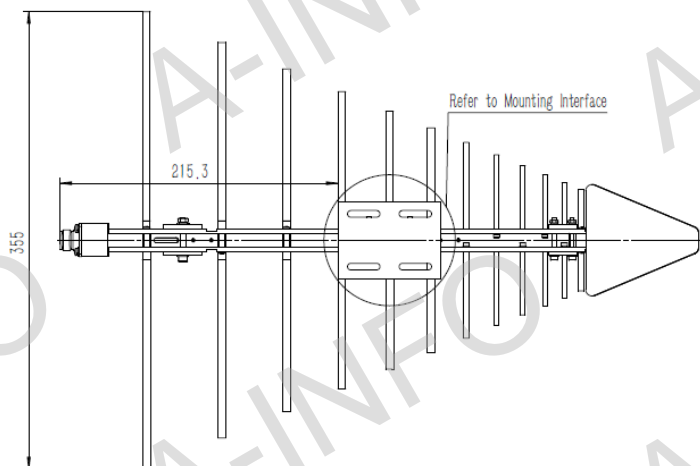
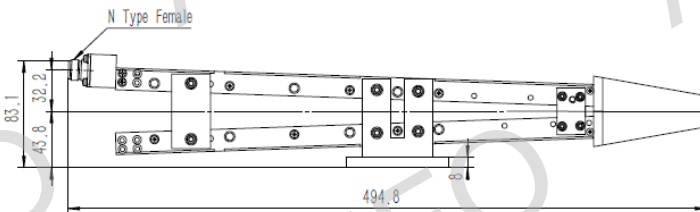
<i>P/N: DS-50800E</i>	
Frequency Range(GHz)	0.5-8.0
Gain(dB)	7 Typ.
Polarization	Linear
3dB Beamwidth(deg)	110-40
VSWR	2.0 Typ.
	3.0 Max
Output	N-Female
Size(mm)	355 x 688.5
Net Weight(Kg)	1.2 Around

Outline Drawing (Size: mm)

DS-50800



DS-50800 with Mounting Bracket



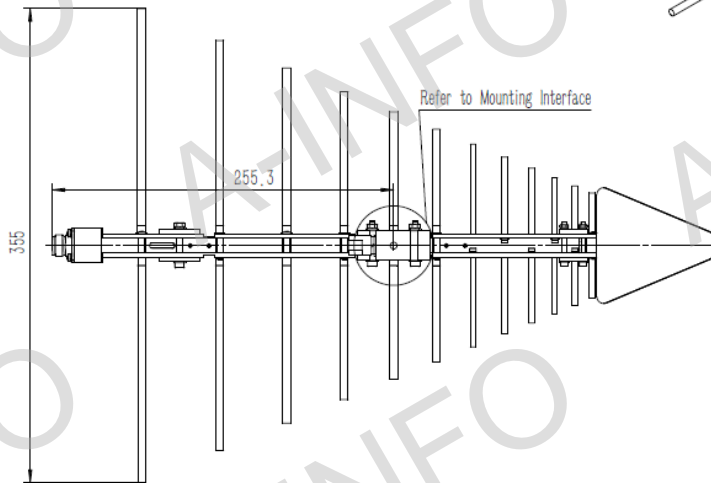
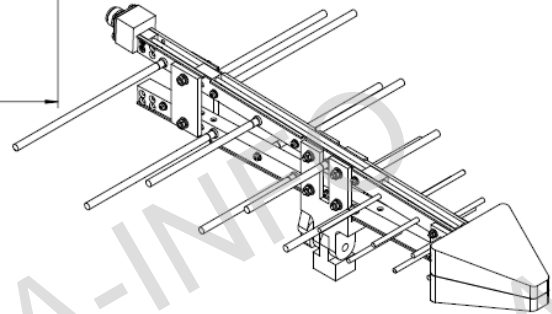
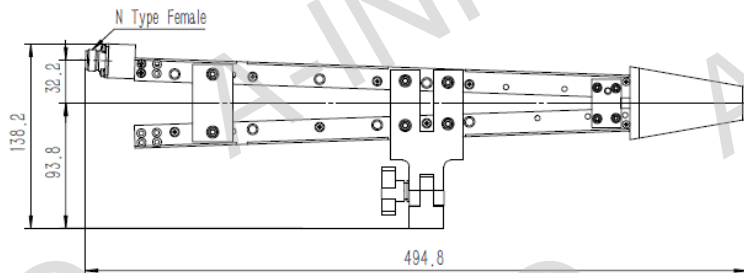
AINFO Inc.

Page 2 of 9

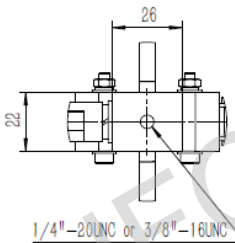
China(Beijing): Tel: (+86) 10-6266-7326, (+86) 10-6266-7327 Fax: (+86) 10-6266-7379
 China(Chengdu): Tel: (+86) 28-8519-2786, (+86) 28-8519-3044 Fax: (+86) 28-8519-3068
 USA: Tel: (+1) 949-639-9688, (+1) 949-639-9608 Fax: (+1) 949-639-9670

Website: www.ainfoinc.com
 Email: sales@ainfoinc.com

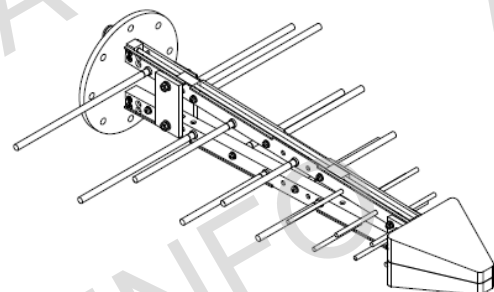
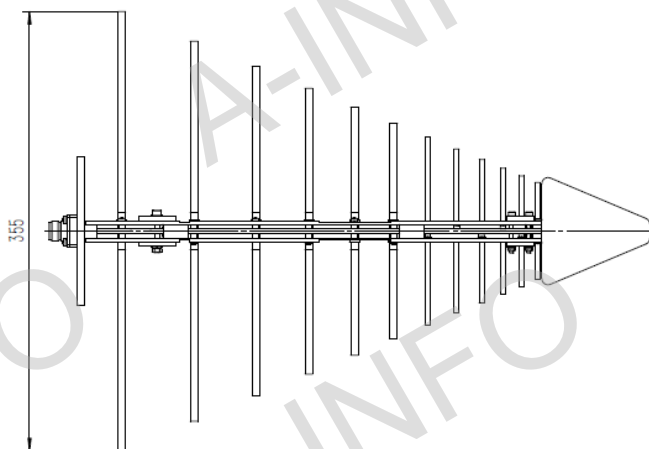
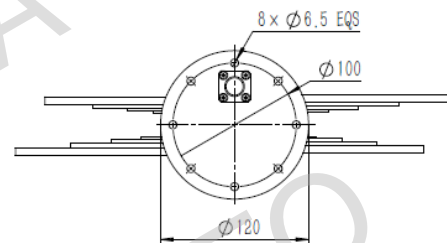
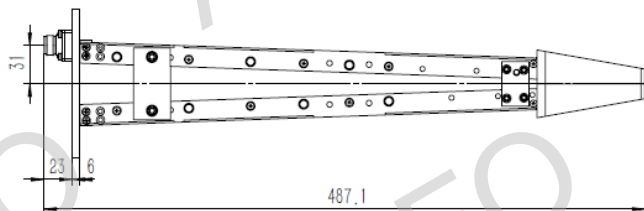
DS-50800 with Mounting Bracket for Tripod Application



Mounting Interface



DS-50600C



AINFO Inc.

Page 3 of 9

China(Beijing):
China(Chengdu):
USA :

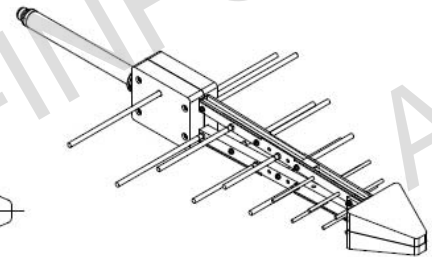
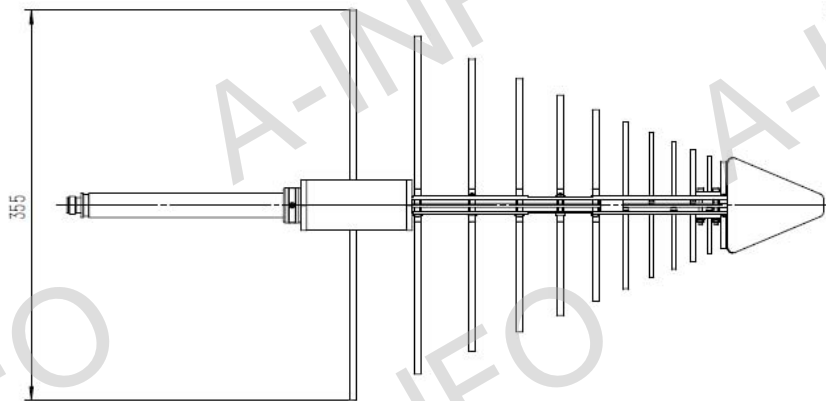
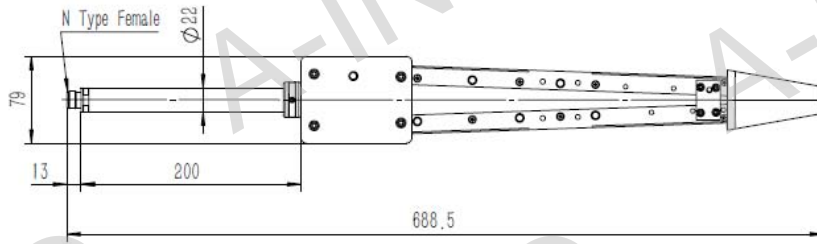
Tel: (+86) 10-6266-7326,
Tel: (+86) 28-8519-2786,
Tel: (+1) 949-639-9688,

(+86) 10-6266-7327
(+86) 28-8519-3044
(+1) 949-639-9608

Fax: (+86) 10-6266-7379
Fax: (+86) 28-8519-3068
Fax: (+1) 949-639-9670

Website: www.ainfoinc.com
Email: sales@ainfoinc.com

DS-50800E



AINFO Inc.

Page 4 of 9

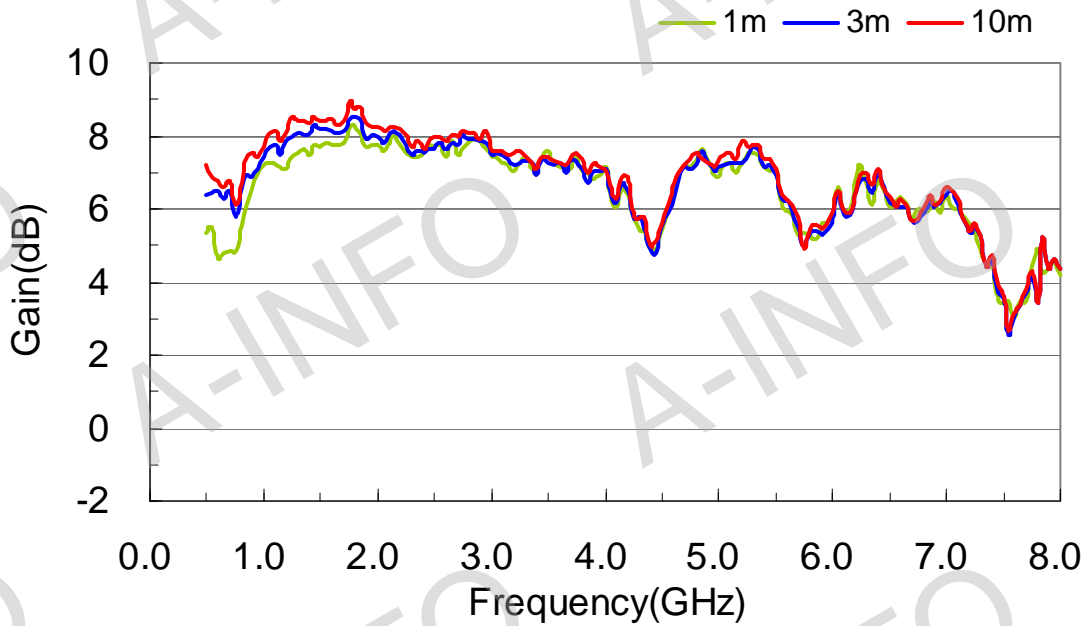
China(Beijing): Tel: (+86) 10-6266-7326, (+86) 10-6266-7327 Fax: (+86) 10-6266-7379
China(Chengdu): Tel: (+86) 28-8519-2786, (+86) 28-8519-3044 Fax: (+86) 28-8519-3068
USA: Tel: (+1) 949-639-9688, (+1) 949-639-9608 Fax: (+1) 949-639-9670

Website: www.ainfoinc.com
Email: sales@ainfoinc.com

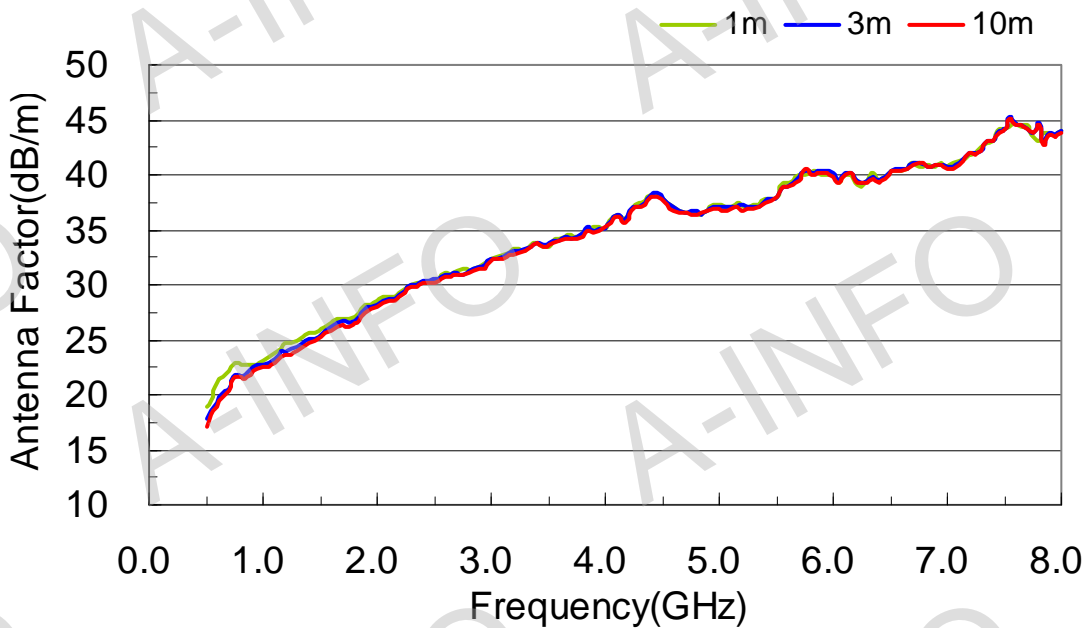
Data subject to change without notice. For current data sheets, please contact: Sales@ainfoinc.com

Test Results

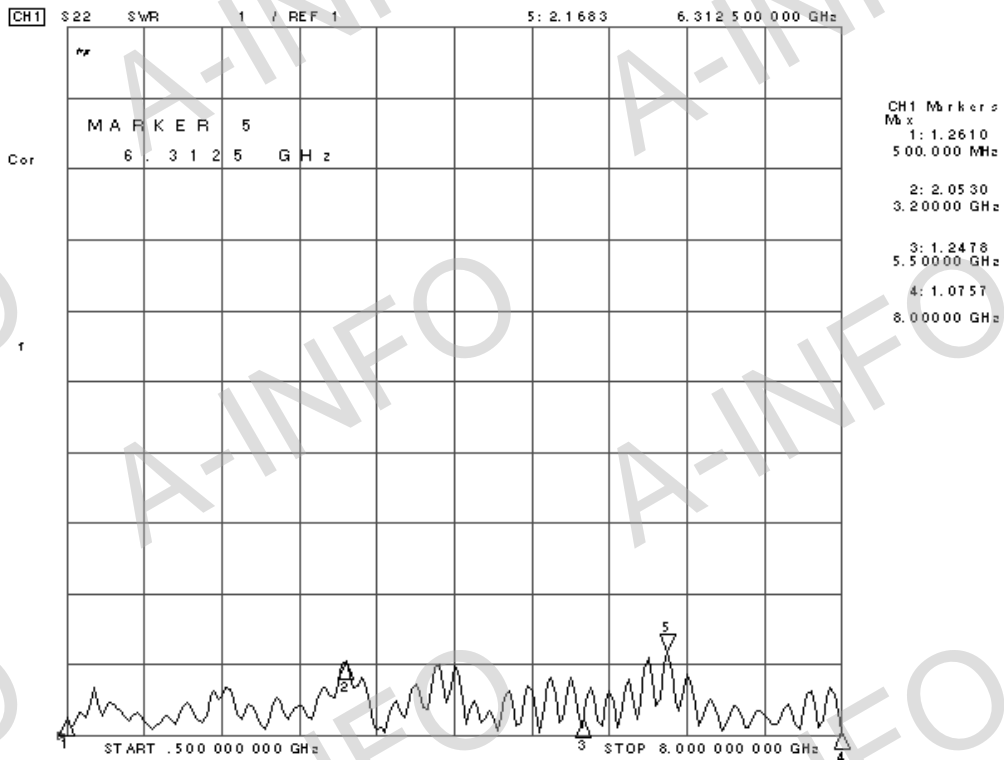
1. Gain



2. Antenna Factor



3. VSWR



4. Pattern

