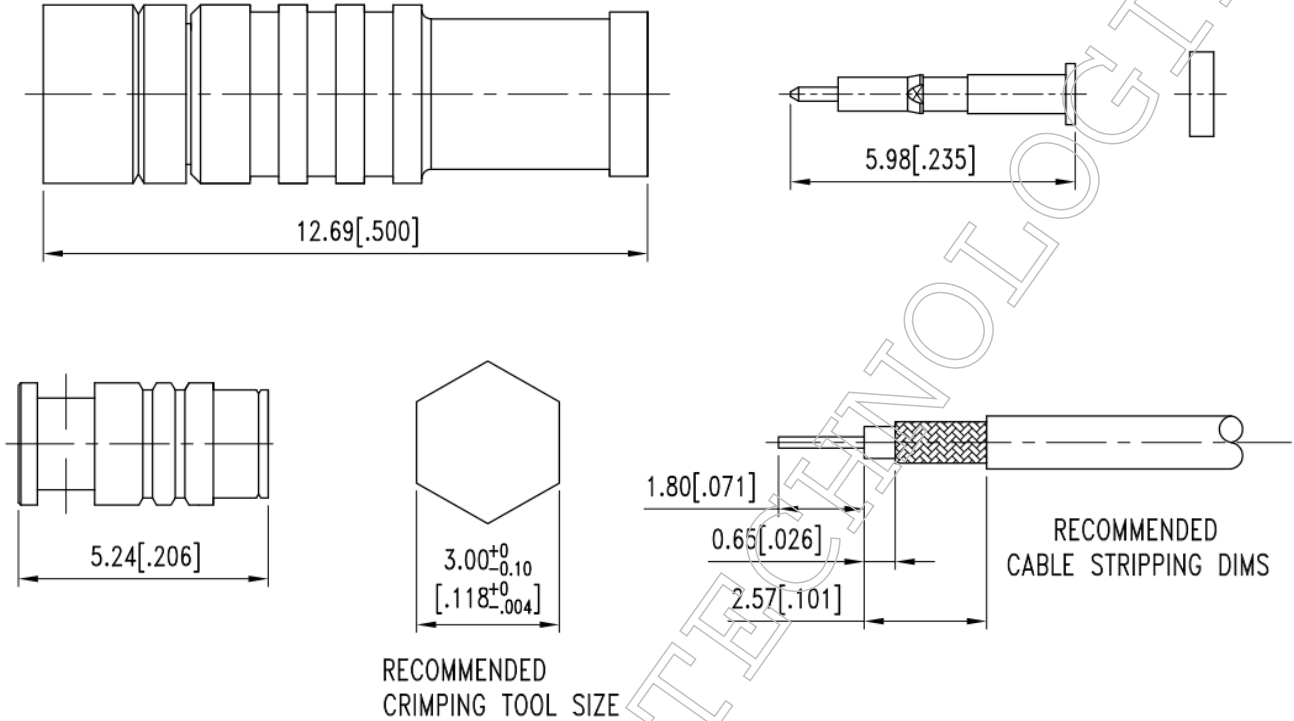




■ **Outline Dimension Drawing**

Dimensions: mm[inch]



■ **Material Specification**

Description	Material	Plating
Body	Brass	Gold
Outer Conductor	BeCu	Gold
Contact	Brass	Gold
Dielectric	PTFE	
Ferrule	Brass	Gold

In the effort to improve our products, we reserve the right to make changes judged to be necessary



■ **Electrical Specification**

Description		Description	
Impedance	50 Ω		
Frequency	6 GHz	Insulation Resistance	5000 MΩ Min.
VSWR	1.3 Max.	Inner Contact Resistance	6 mΩ Max.
Insertion Loss	0.15 dB Max.	Outer Contact Resistance	2 mΩ Max.
Voltage Rating	170 Vrms Max.		
Dielectric Withstanding Voltage	330 Vrms Max.		

■ **Mechanical Specification**

Description			
Engagement Force			
Full Detent	4.3 lbs. Max.		
Disengagement Force			
Full Detent	3.8 lbs. Min.		
Connector Durability			
Full Detent	100 matings min.		
Center Contact			
Axial Force-Mating End	N/A lbs.		
Axial Force-Opposite End	N/A lbs.		
Weight	N/A g		

■ **Environmental Specification**

Description			
Temperature Min.	-55 °C		
Temperature Max.	155 °C		
Hermetic Seal	N/A		

In the effort to improve our products, we reserve the right to make changes judged to be necessary