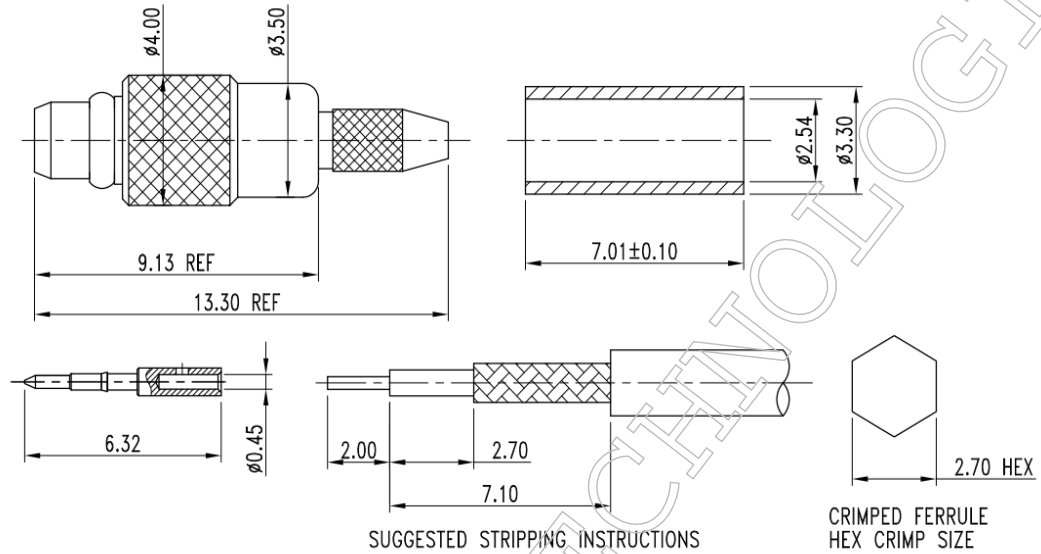


▪ **Outline Dimension Drawing**

Dimensions: mm[inch]



▪ **Material Specification**

Description	Material	Plating
Body*2	Brass	Gold
Contact	Brass	Gold
Dielectric	PTFE	
Ferrule	Brass	Gold
Retaining Ring	BeCu	Gold

In the effort to improve our products, we reserve the right to make changes judged to be necessary



▪ **Electrical Specification**

Description		Description	
Impedance	50 Ω	Insulation Resistance	500 MΩ Min.
Frequency	6 GHz	Inner Contact Resistance	5 mΩ Max.
VSWR	1.25 Max.	Outer Contact Resistance	2.5 mΩ Max.
Insertion Loss	0.15 dB Max.		
Voltage Rating	170 Vrms Max.		
Dielectric Withstanding Voltage	250 Vrms Max.		

▪ **Mechanical Specification**

Description		Description	
Center Contact		Recommended Torque	N/A in. lbs
Axial Force-Mating End	2 lbs.		
Axial Force-Opposite End	N/A lbs.		
Connector Durability	500 cycles		
Weight	N/A g		

▪ **Environmental Specification**

Description	
Temperature Min.	-65 °C
Temperature Max.	165 °C
Hermetic Seal	N/A

In the effort to improve our products, we reserve the right to make changes judged to be necessary