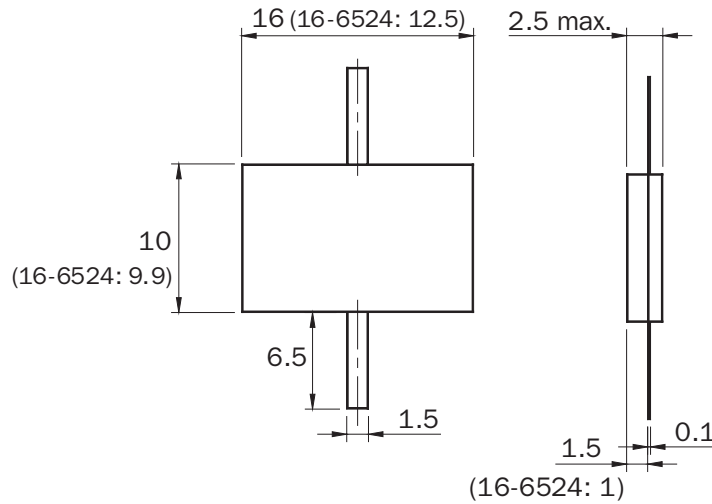
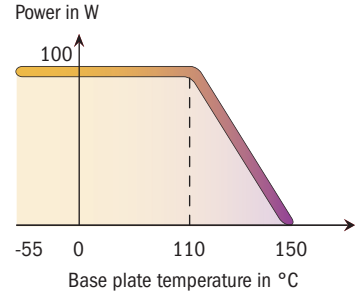




Standards
NF C 96-315
MIL-DTL-3933



Substrate	BeO
Resistive film	Thick film
Tab	Ag
Cover substrate	Al ₂ O ₃



Dimensions in mm

P/N	Attenuation* (dB)	Frequency (GHz)	Power (W)	Impedance ($\Omega \pm 5\%$)	Max VSWR	Accuracy $\pm \Delta\alpha$ (dB)
16-6521	3	2	100	50	1.25	0.3
16-6522	6	2	100	50	1.25	0.3
16-6523	10	2	100	50	1.25	0.5
16-6524	20	2	50	50	1.25	0.5
16-6525	30	2	40	50	1.25	1

mm	inch
0.1	0.004
1	0.039
1.5	0.059
2.5	0.098
6.5	0.256
9.9	0.390
10	0.394
12.5	0.492
16	0.630

* Others values on request

