

112WLPL\_EP WR112 Waveguide Low Power Load 7.05-10GHz with Rectangular Waveguide Interface



WR112 Waveguide Low Power Load Operating From 7.05 to 10GHz with Rectangular Waveguide Interface

### Product Information

SKU	112WLPL_EP
-----	------------

### Description

Waveguide low power load 112WLPL\_EP, operating from 7.05 to 10GHz and low VSWR 1.03:1. 112WLPL\_EP covers the WR112 sub waveguide band and comes with one flange FEP84(UER84). It can handle 4W continuously and 4KW peak power. The WLPL series are for general version, low VSWR terminations for system application. The typical applications include system or test bench set-ups and small moderate power dummy loads.

### Technical Specification

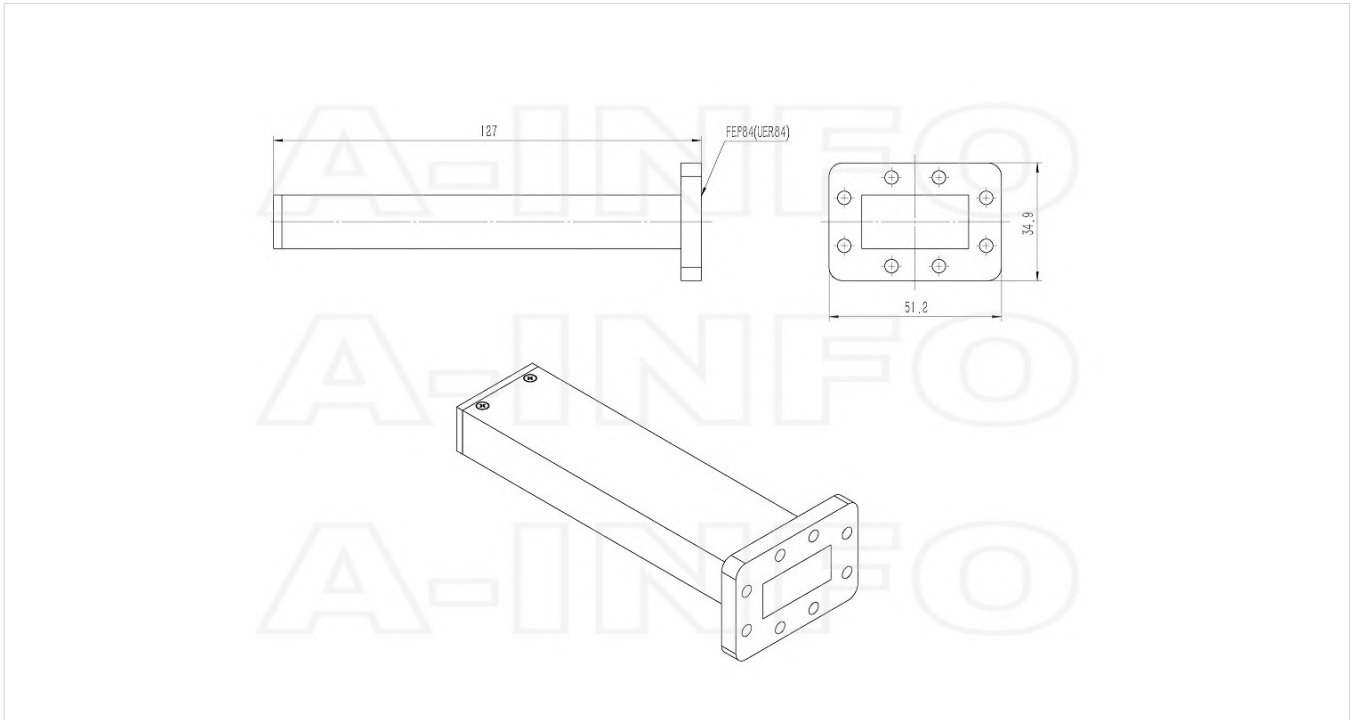
Electrical Specification	
WG Load Type	Low Power
Waveguide Band	C X
Waveguide Type	Rectangular
Waveguide Size EIA WR	WR112
Frequency, Min (GHz)	7.05
Frequency, Max (GHz)	10
VSWR, Typ	1.025:1
VSWR, Max	1.03:1
Power Handling, CW, (W)	4
Power Handling, Peak, (KW)	4
Interface	
Flange Style	Rectangular
Flange Type	Cover
Flange Designation	FEP84(UER84)

Mechanical Specification	
Body Material	Al
Size, L (mm)	127
Size, W (mm)	51.2
Size, H (mm)	34.9
Weight, (kg)	0.1
Pressure Sealed	No
Environmental Specification	
Operating Temp. Low (°C)	-55
Operating Temp. High (°C)	85
Storage Temp. Low (°C)	-60
Storage Temp. High (°C)	90

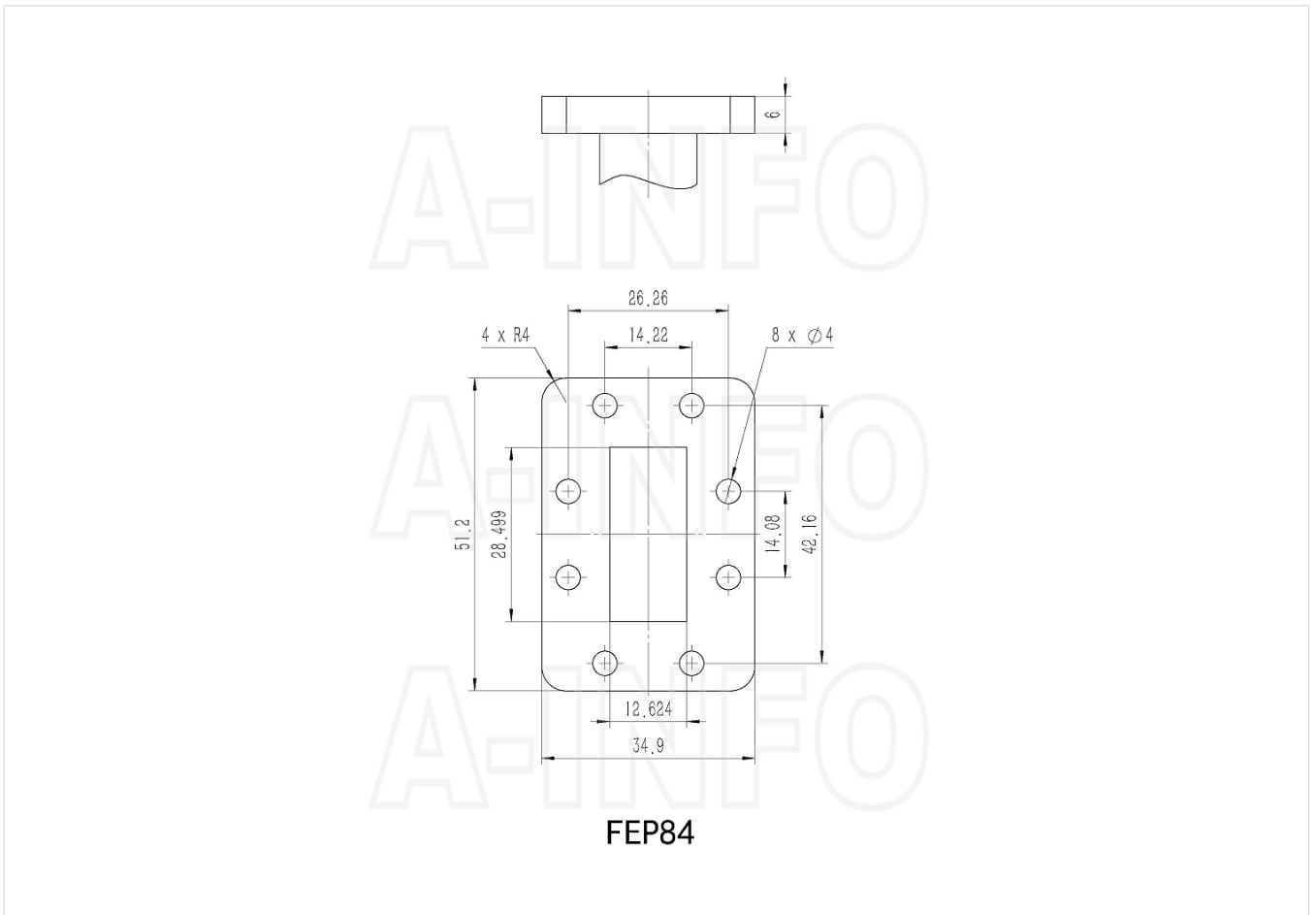
## Additional Information

Application	General Purpose Indoor & Outdoor, Fixed
-------------	---

## Outline Drawing

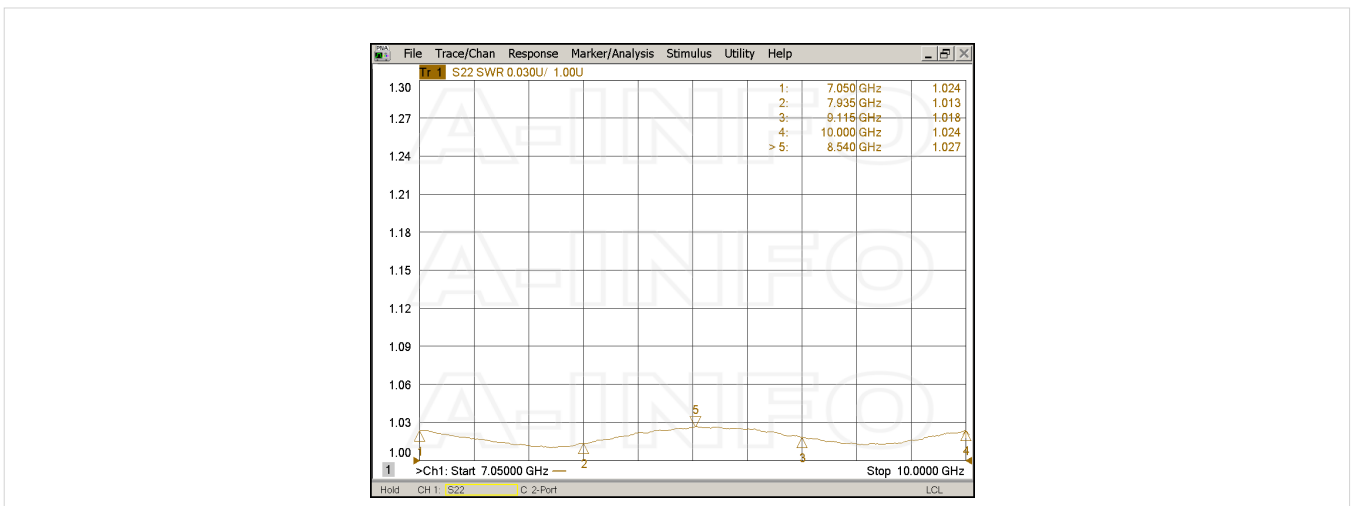


## Flange Drawing



## Typical Test Results

### VSWR



### About this Datasheet

<ul style="list-style-type: none"><li>● <b>Product Information</b></li></ul> <p>Product Link: <a href="https://www.ainfoinc.com/112wpl-ep-wr112-waveguide-low-power-load-7-05-10-ghz-fep84-uer84">https://www.ainfoinc.com/112wpl-ep-wr112-waveguide-low-power-load-7-05-10-ghz-fep84-uer84</a> Data subject to change without notice. © A-INFO INC. 2024. All Rights Reserved</p>	<ul style="list-style-type: none"><li>● <b>Contact Us</b></li></ul> <p>Address: 60 Tesla, Irvine, CA 92618, USA</p> <p>Website: <a href="http://www.ainfoinc.com">www.ainfoinc.com</a></p> <p>Email: <a href="mailto:sales@ainfoinc.com">sales@ainfoinc.com</a></p>	<ul style="list-style-type: none"><li>● <b>Phone &amp; Fax</b></li></ul> <p>Phone: +1-949-639-9688 +1-949-639-9608</p> <p>Fax: +1-949-639-9670</p>
--	---	--