

## 10W – Coaxial Attenuator

### Design Features

- ◆ High RF performance, ultra-competitive price.
- ◆ Military, space and commercial applications.
- ◆ Custom design available upon request.
- ◆ Support one year standard warranty.

### RF Characteristics

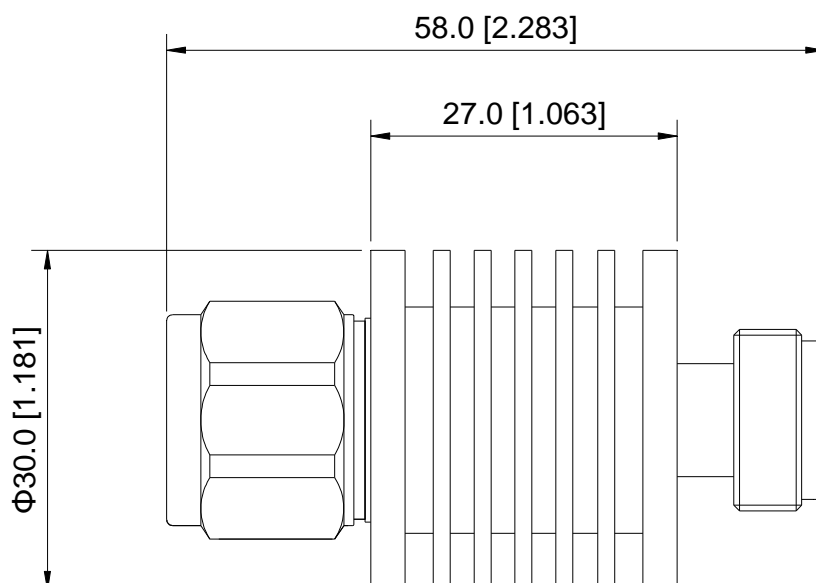
Model Number	Freq. Range	Power	Attenuation Value	Attenuation Tolerance	VSWR Max	Connector Type	Impedance
UIYCA10AN3A1	DC-3GHz	10W	1 dB	±0.5 dB	1.2	N-M / N-F	50 Ω
UIYCA10AN3A2		10W	2 dB	±0.5 dB	1.2	N-M / N-F	50 Ω
UIYCA10AN3A3		10W	3 dB	±0.5 dB	1.2	N-M / N-F	50 Ω
UIYCA10AN3A5		10W	5 dB	±0.5 dB	1.2	N-M / N-F	50 Ω
UIYCA10AN3A6		10W	6 dB	±0.5 dB	1.2	N-M / N-F	50 Ω
UIYCA10AN3A10		10W	10 dB	±0.5 dB	1.2	N-M / N-F	50 Ω
UIYCA10AN3A20		10W	20 dB	±0.5 dB	1.2	N-M / N-F	50 Ω
UIYCA10AN3A30		10W	30 dB	±0.6 dB	1.2	N-M / N-F	50 Ω
UIYCA10AN6A1	DC-6GHz	10W	1 dB	±0.6 dB	1.3	N-M / N-F	50 Ω
UIYCA10AN6A2		10W	2 dB	±0.6 dB	1.3	N-M / N-F	50 Ω
UIYCA10AN6A3		10W	3 dB	±0.6 dB	1.3	N-M / N-F	50 Ω
UIYCA10AN6A5		10W	5 dB	±0.8 dB	1.3	N-M / N-F	50 Ω
UIYCA10AN6A6		10W	6 dB	±0.8 dB	1.3	N-M / N-F	50 Ω
UIYCA10AN6A10		10W	10 dB	±1.0 dB	1.3	N-M / N-F	50 Ω
UIYCA10AN6A20		10W	20 dB	±1.5 dB	1.3	N-M / N-F	50 Ω
UIYCA10AN6A30		10W	30 dB	±1.5 dB	1.3	N-M / N-F	50 Ω

<sup>2</sup> Listed are specific frequency ranges and tailor-made ranges are available.

<sup>2</sup> Please provide the information below when inquiring and mark \* is required.

- \* 1. Power handling, Attenuation Value
- 2. Connect type (SMA Male/ Female, N Male/ Female, etc.)
- 3. Other special requests (VSWR, Temperature, Dimension, etc.)

### Mechanical Drawing



Unit: mm/ inch, General part tolerance is ±2% unless otherwise stated.

Ver. 5.1