

## Technical Specification

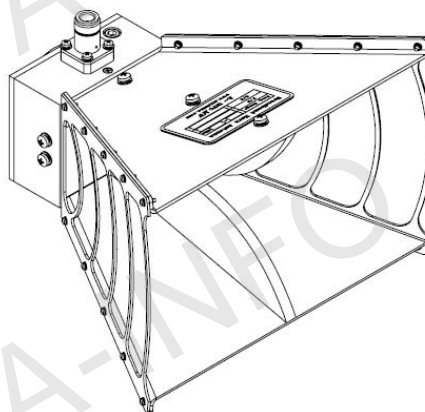
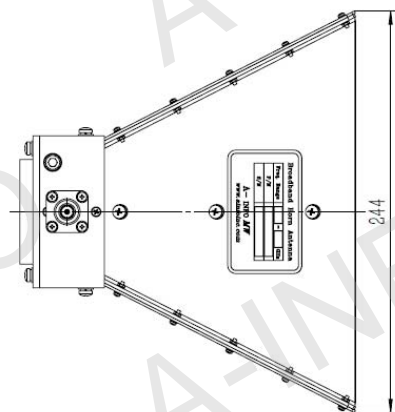
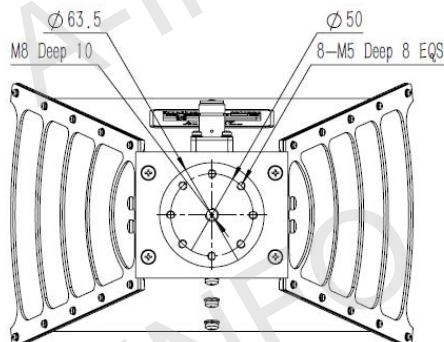
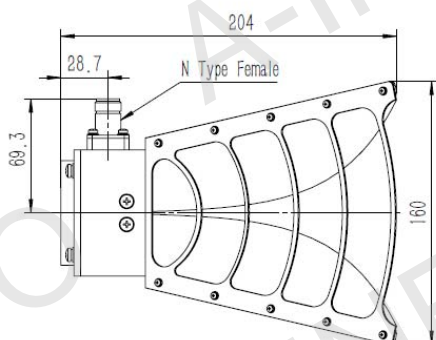


Frequency Range(GHz)	1.0 – 18.0	
Gain(dBi)	11 Typ.	
Polarization	Linear	
3dB Beamwidth(deg)	E Plane	97 - 13
	H Plane	62 - 11
Cross Pol. Isolation(dB)	25 Typ.	
VSWR	1.5:1 Typ.	
Connector	N-Female	
	or SMA-Female	
Power Handling(W)	N-Female	300 Max. CW
	SMA-Female	50 Max. CW
Material	Al	
Size(mm)	244 x 160 x 204	
Net Weight(Kg)	1.4 Around	

## Outline Drawing (Size: mm)

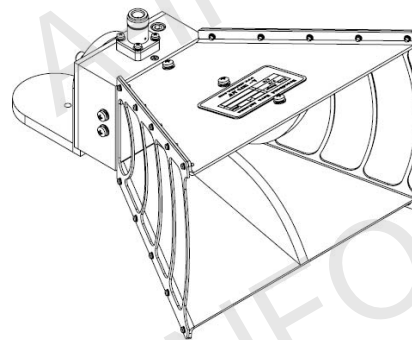
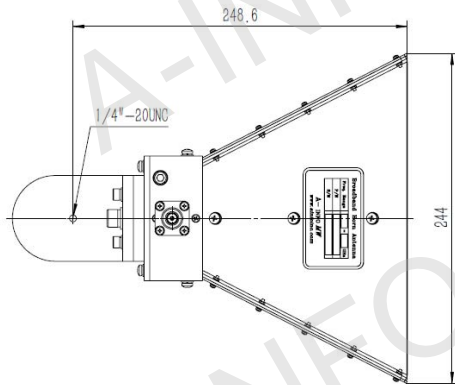
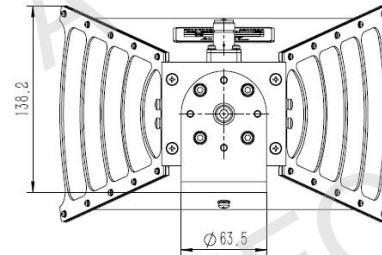
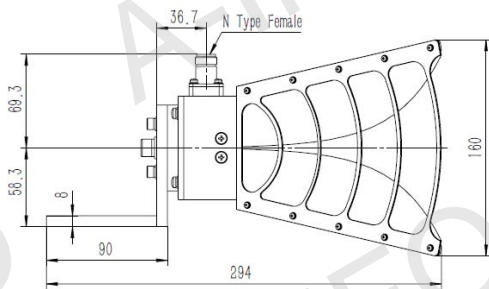
N-Female Output

For SMA-Female output outline drawing, please contact A-INFO.



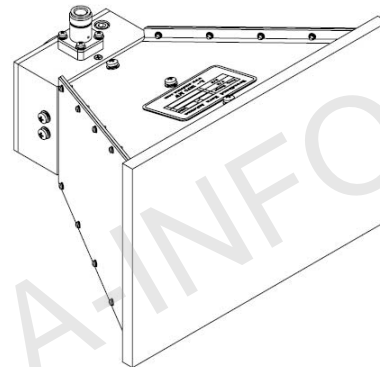
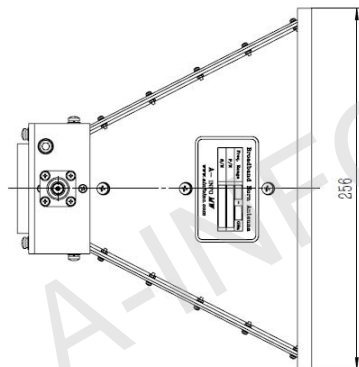
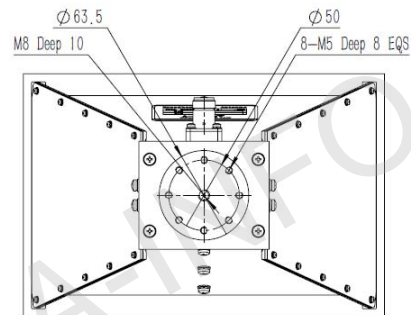
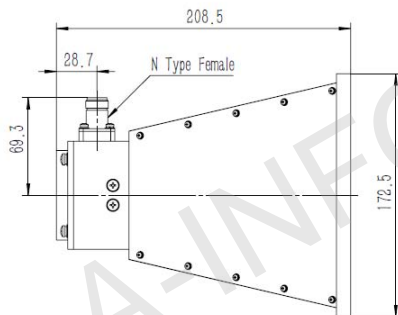
## N-Female Output with L type mounting bracket

For SMA-Female output outline drawing, please contact A-INFO.



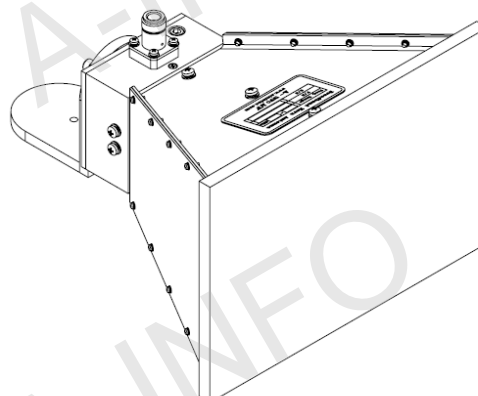
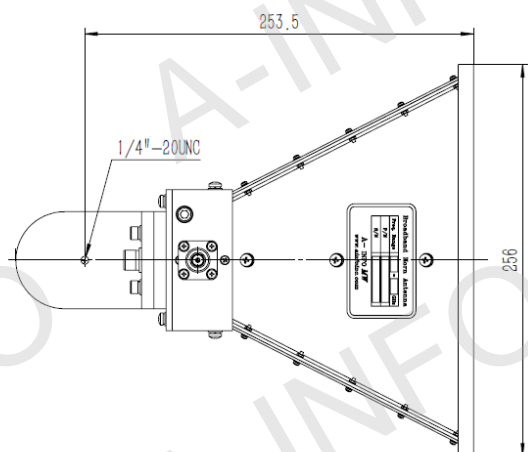
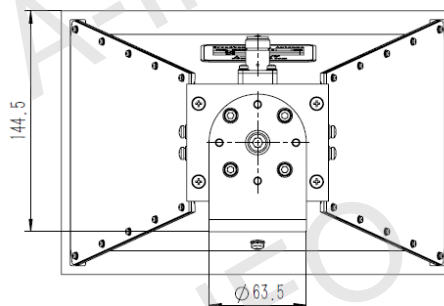
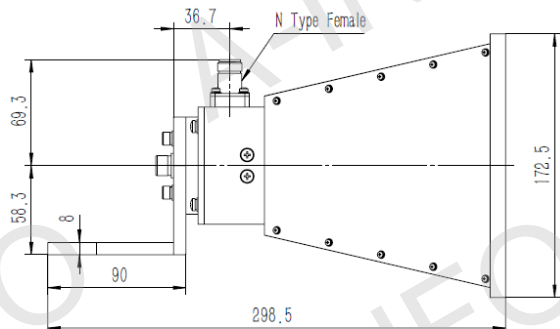
## N-Female Output with Radome

For SMA-Female output outline drawing, please contact A-INFO.



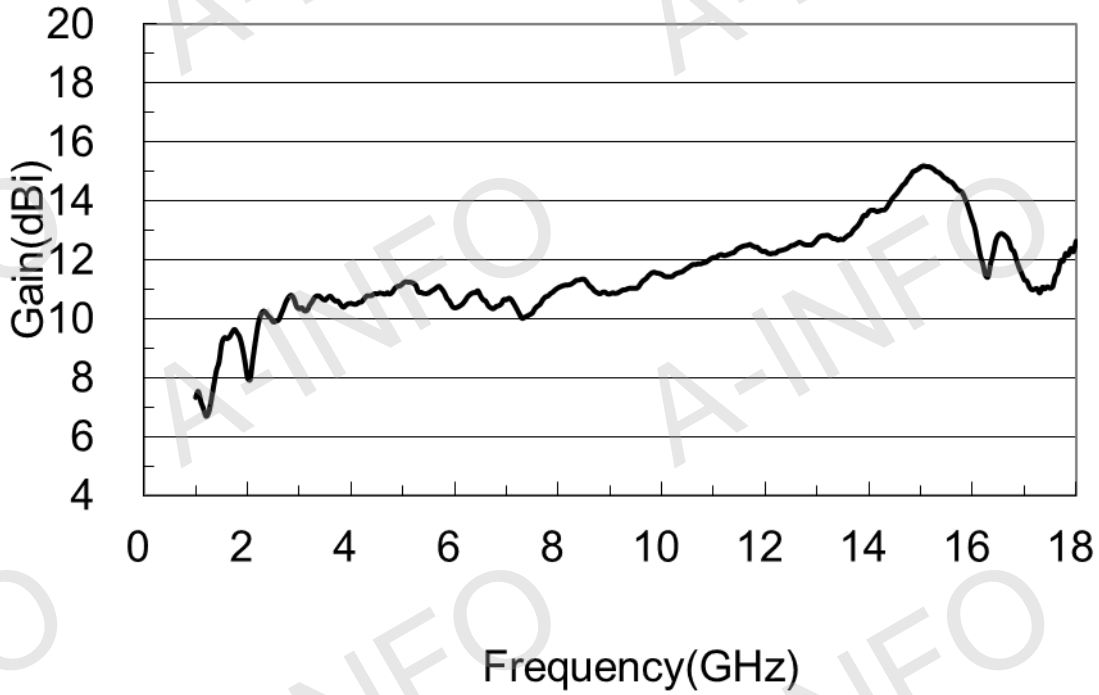
## N-Female Output with L type mounting bracket & Radome

For SMA-Female output outline drawing, please contact A-INFO.

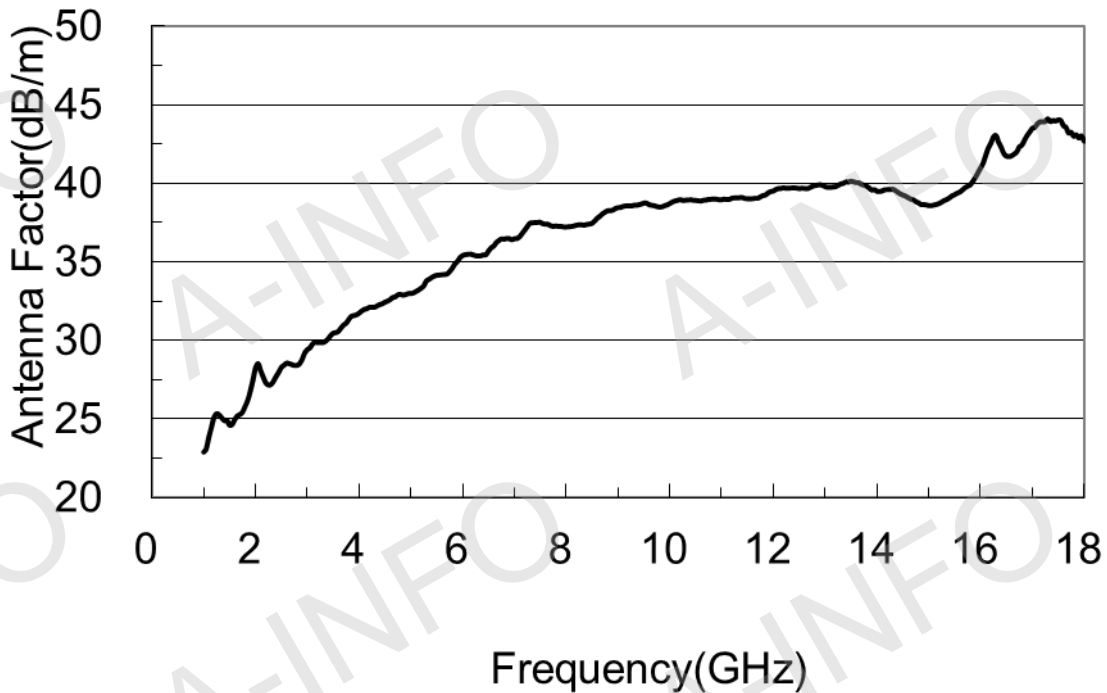


## Test Results

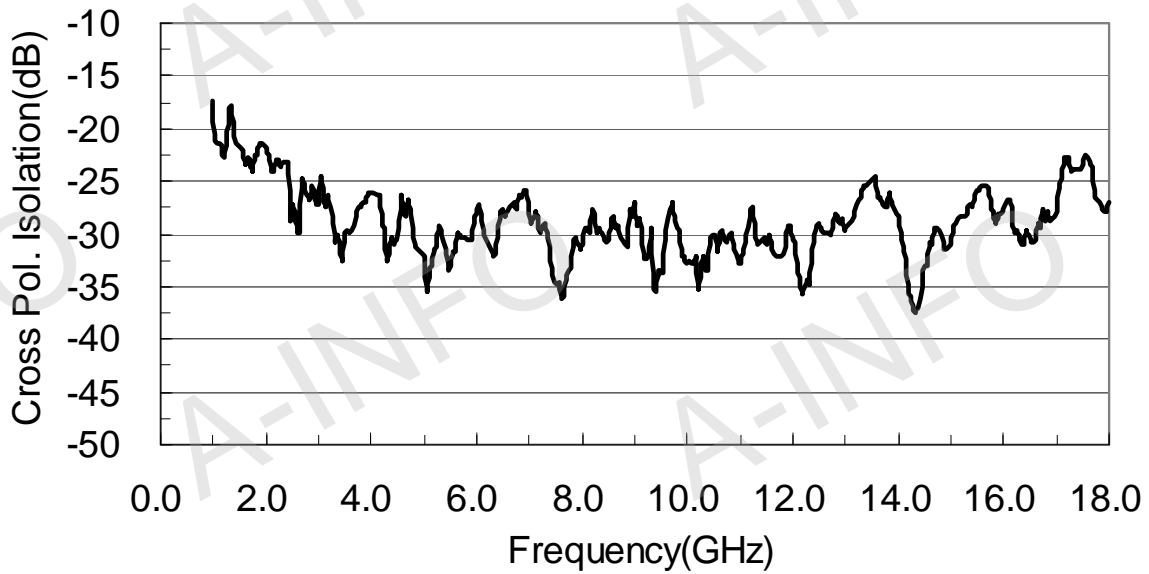
### 1. Gain



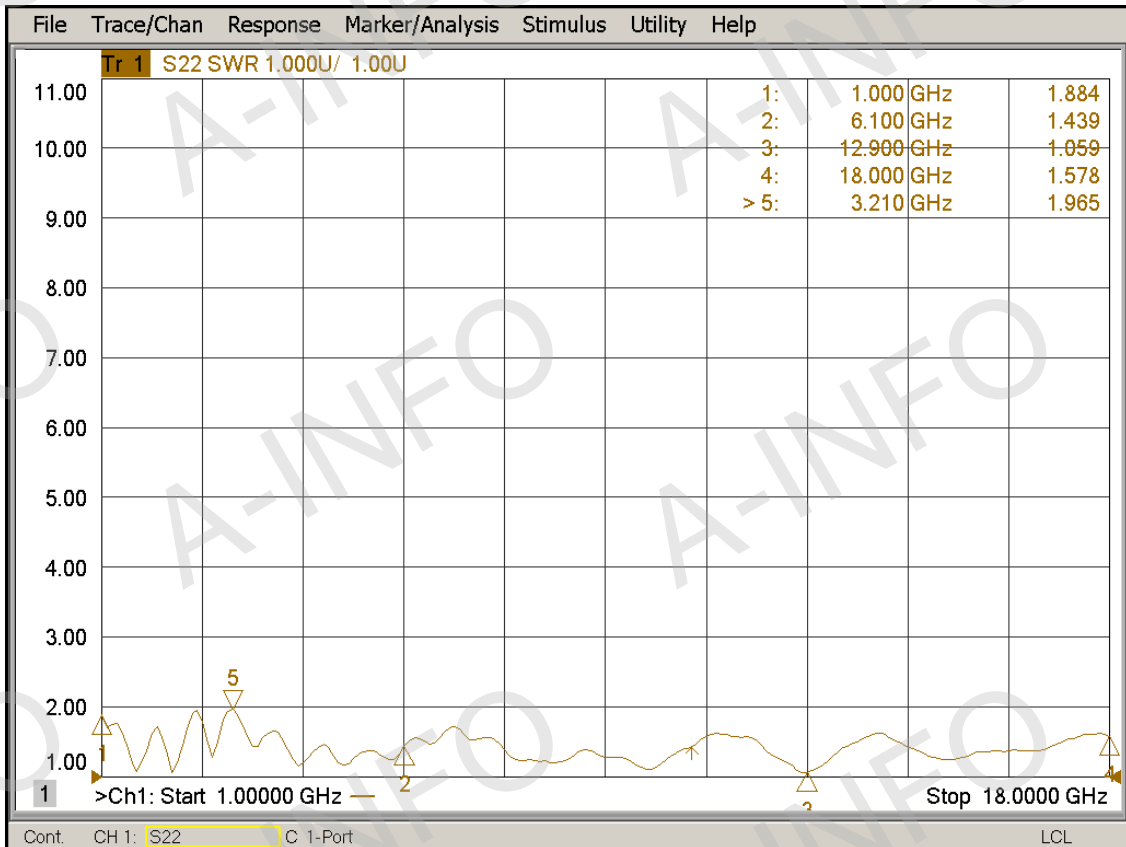
### 2. Antenna Factor



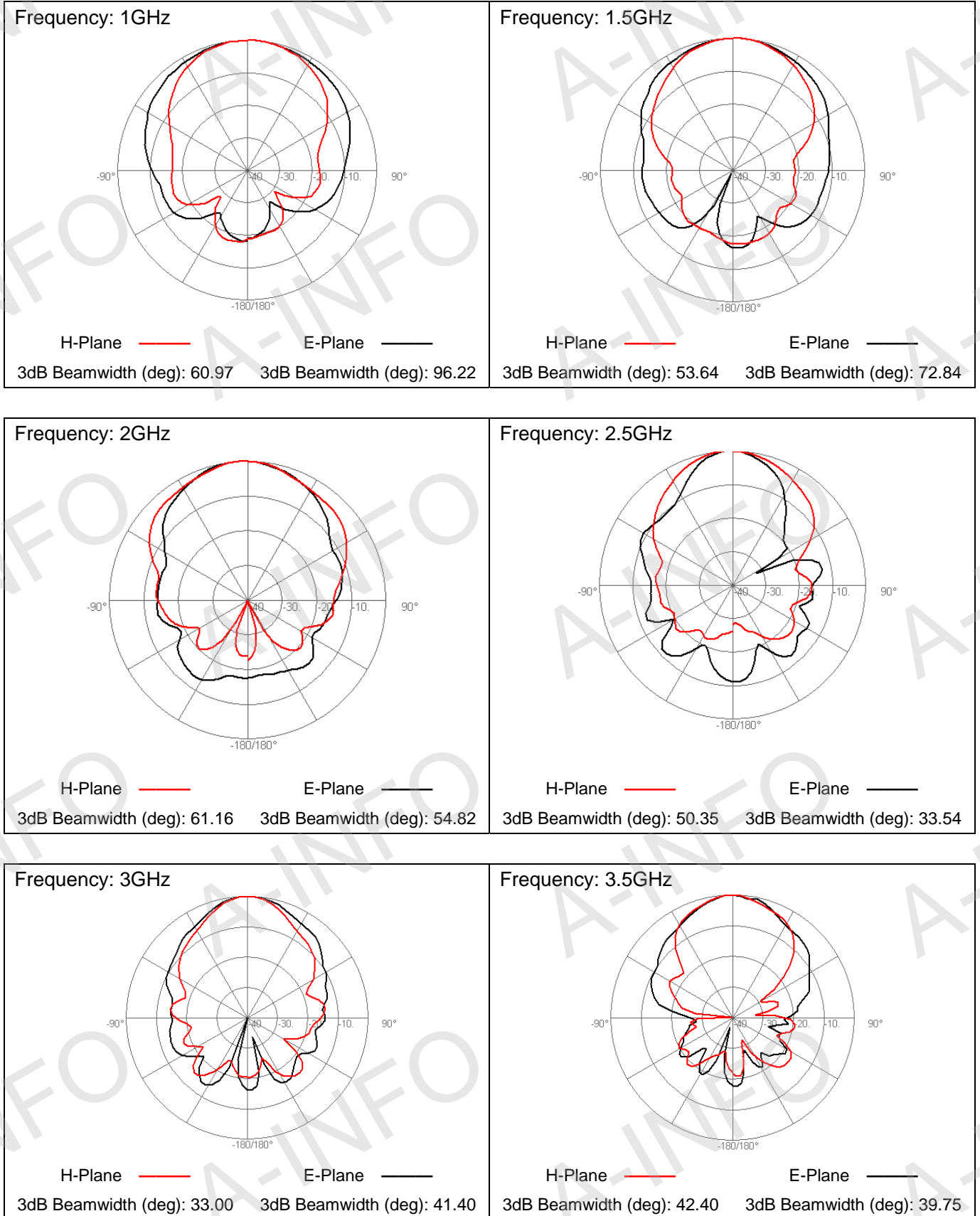
### 3. Cross Polarization Isolation

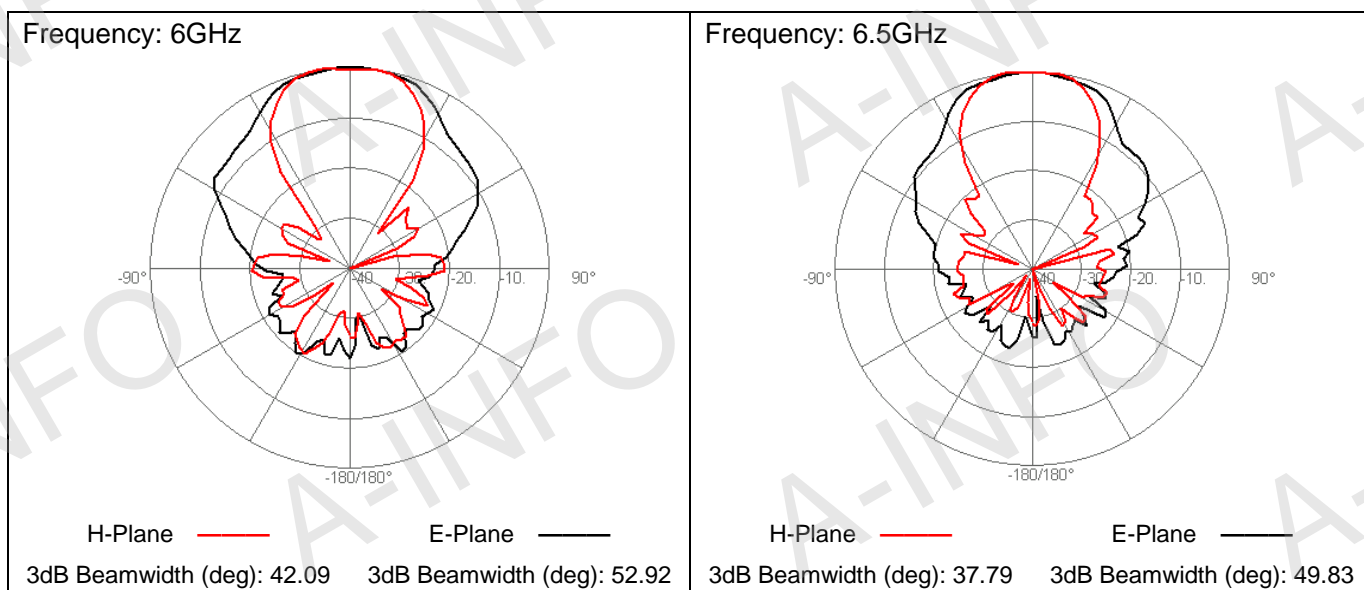
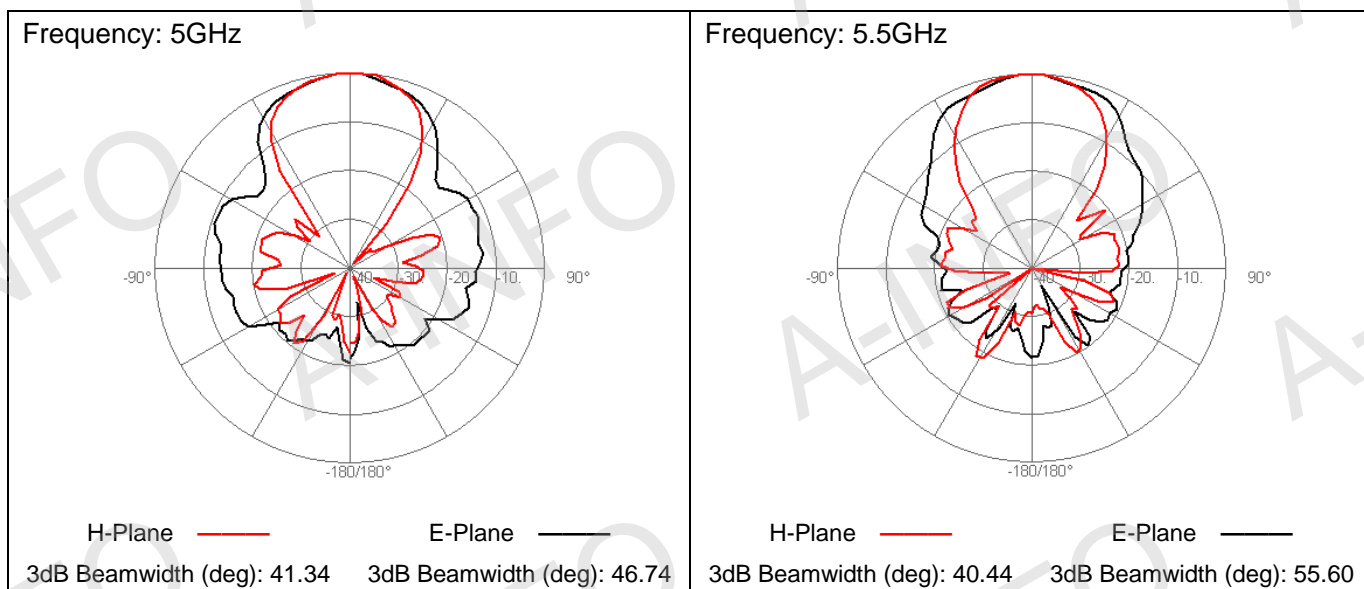
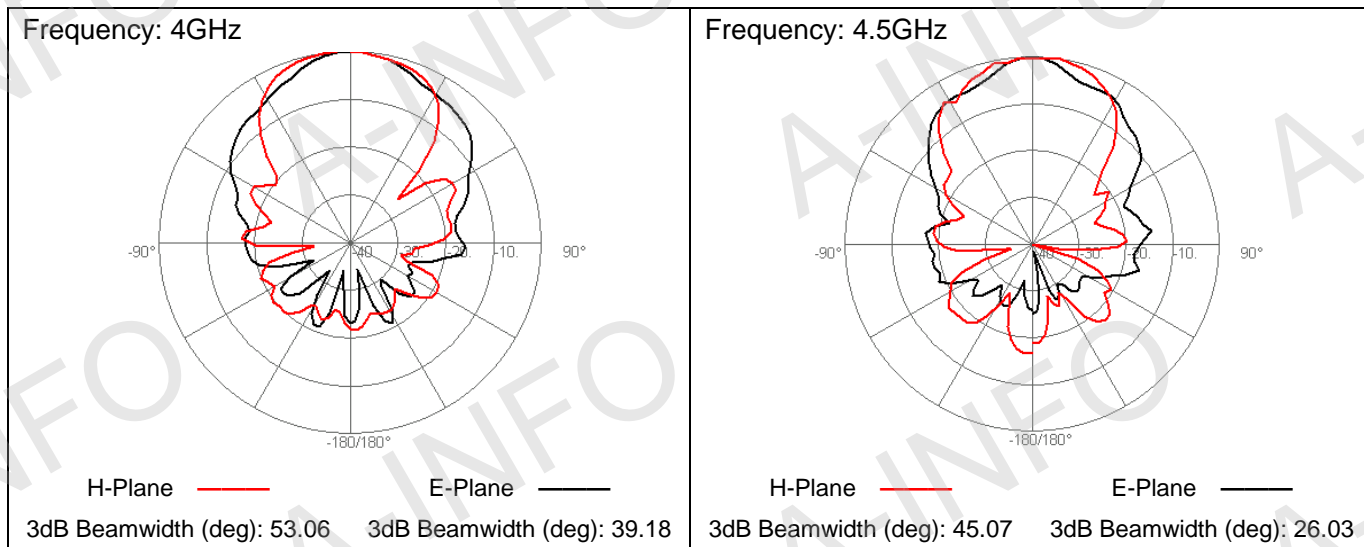


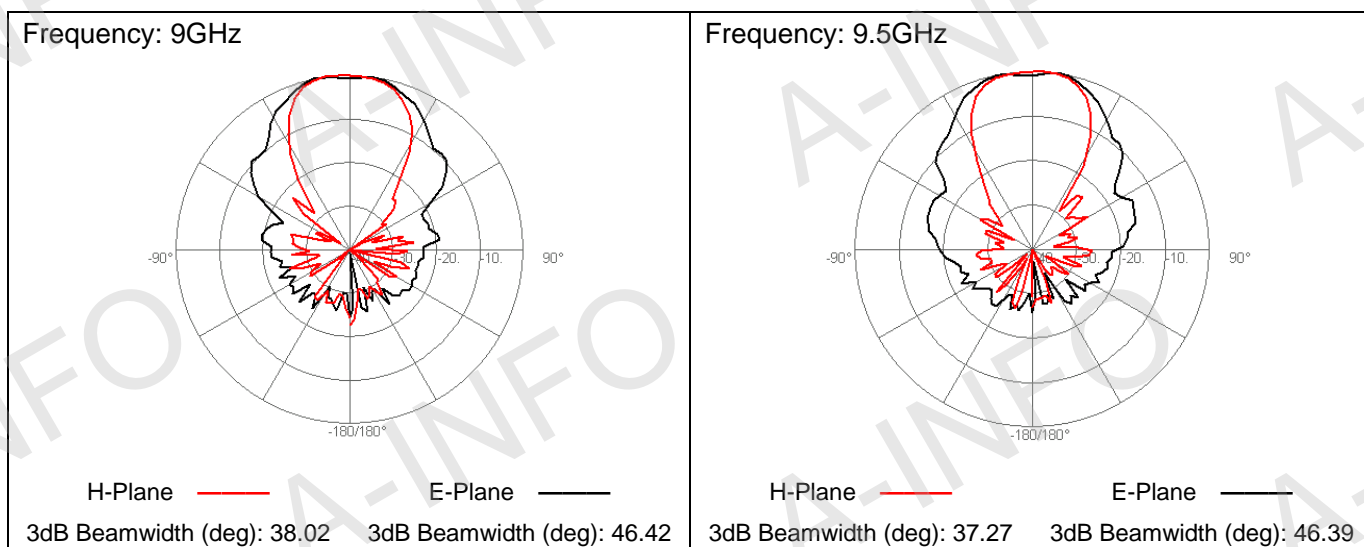
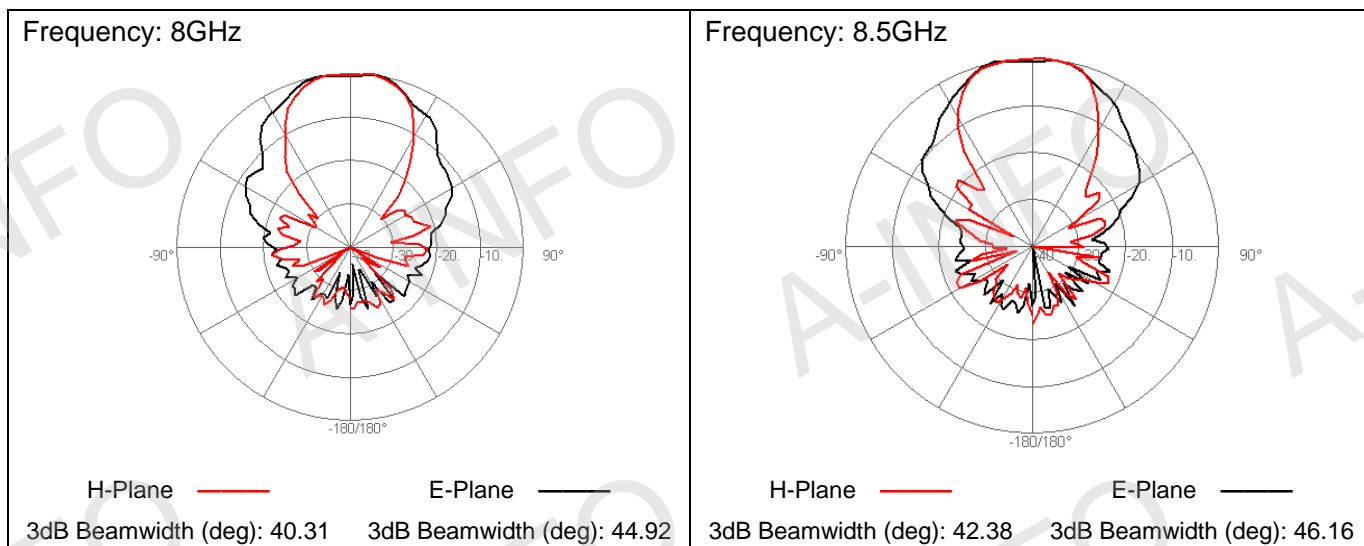
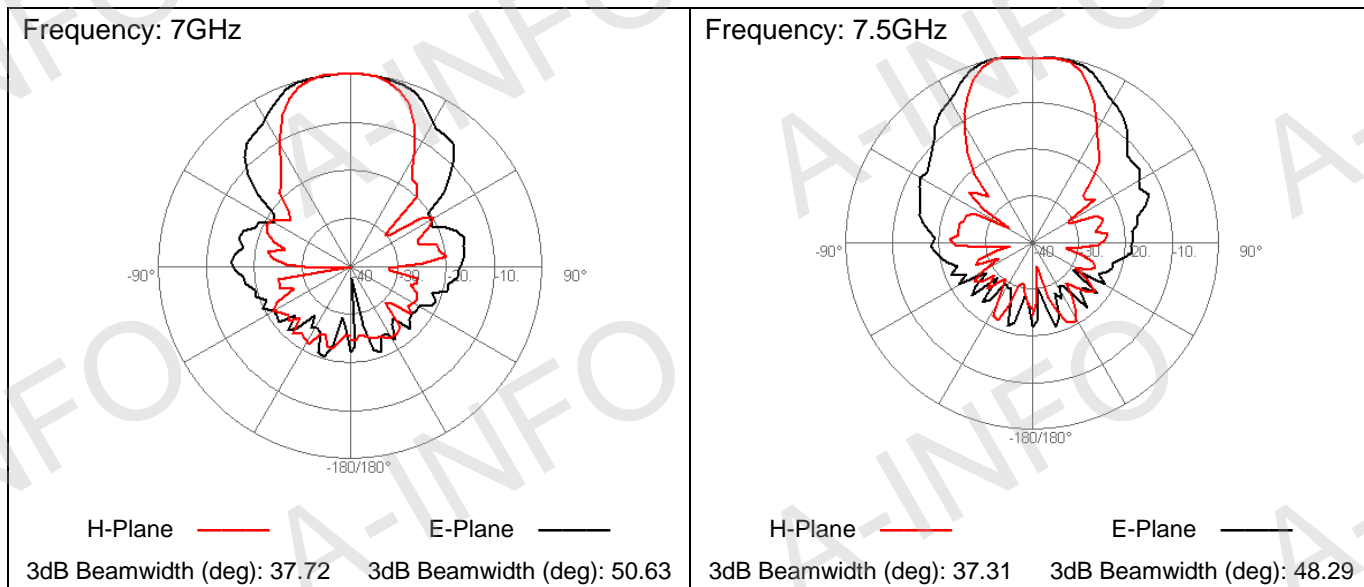
### 4. VSWR



## 5. Pattern

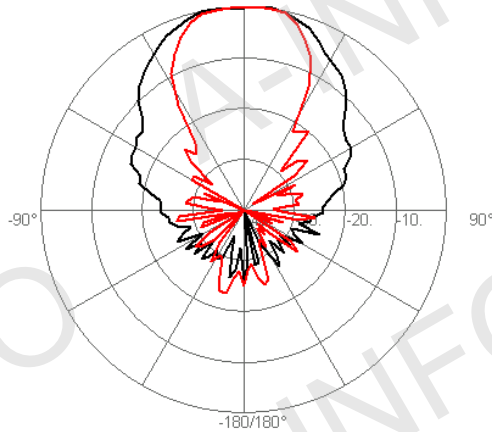






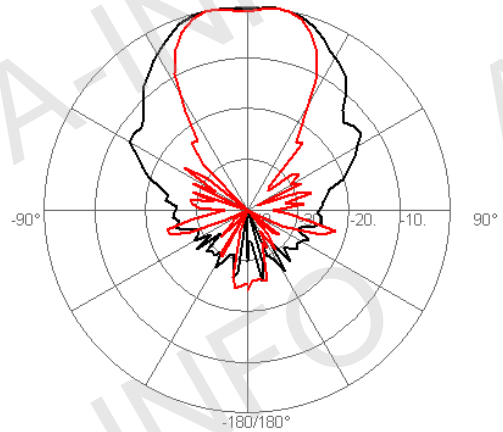


Frequency: 10GHz



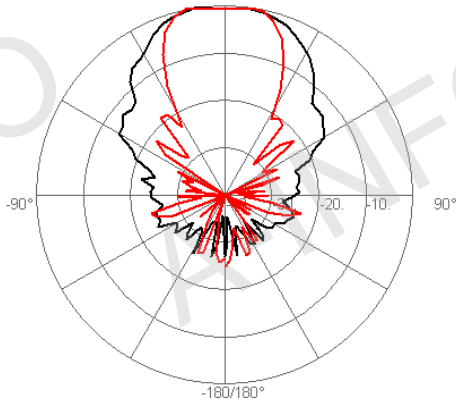
H-Plane ——— E-Plane ———  
 3dB Beamwidth (deg): 36.25    3dB Beamwidth (deg): 47.35

Frequency: 10.5GHz



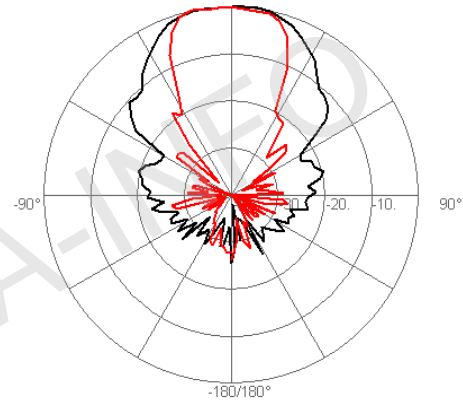
H-Plane ——— E-Plane ———  
 3dB Beamwidth (deg): 40.37    3dB Beamwidth (deg): 48.79

Frequency: 11GHz



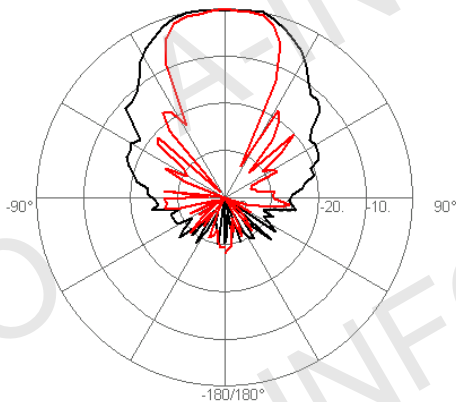
H-Plane ——— E-Plane ———  
 3dB Beamwidth (deg): 36.81    3dB Beamwidth (deg): 47.66

Frequency: 11.5GHz



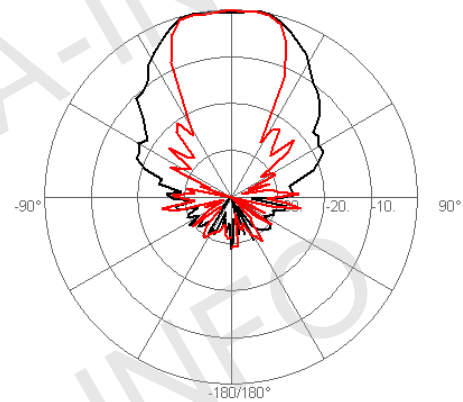
H-Plane ——— E-Plane ———  
 3dB Beamwidth (deg): 37.25    3dB Beamwidth (deg): 47.78

Frequency: 12GHz



H-Plane ——— E-Plane ———  
 3dB Beamwidth (deg): 35.25    3dB Beamwidth (deg): 45.96

Frequency: 12.5GHz



H-Plane ——— E-Plane ———  
 3dB Beamwidth (deg): 37.37    3dB Beamwidth (deg): 43.97

