

62WMT WR62 Waveguide Magic Tee 12.4-18GHz with Four Rectangular Waveguide Interfaces

WR62 Waveguide Magic Tee Operating From 12.4 to 18GHz with Four Rectangular Waveguide Interfaces

Product Information

SKU	62WMT
-----	-------

Description

Waveguide magic tee 62WMT, operating from 12.4 to 18GHz with a 0.4dB insertion loss, 40dB isolation, H-Plane VSWR 1.30:1 and E-Plane VSWR 1.50:1. 62WMT is a four-ports hybrid coupler or power divider. All the ports have standard WR62 waveguides with the same flanges FBP140(UBR140). The magic tee can be used as a power combiner or a power divider based on the given application's needs.

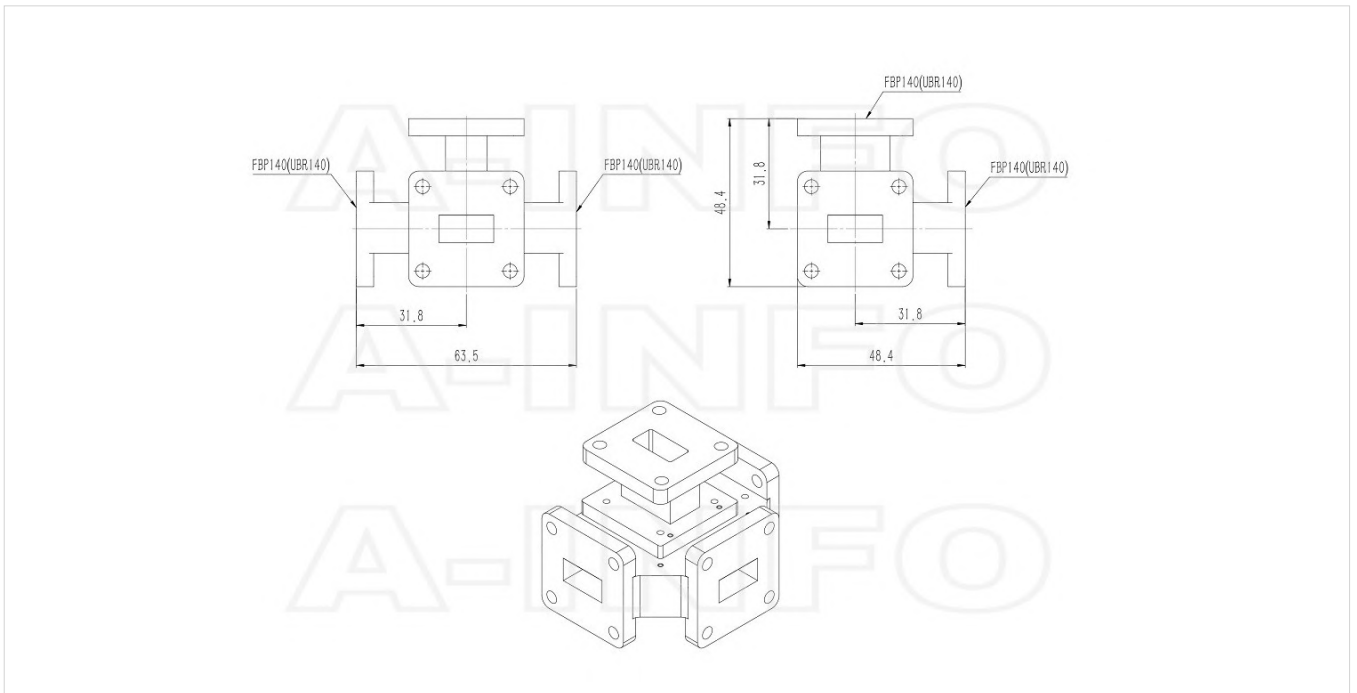
Technical Specification

Electrical Specification		Interface	
WG Tee Type	Magic Tee	Flange 3 Style	Square
Waveguide Band	Ku	Flange 3 Type	Cover
Waveguide Type	Rectangular	Flange 3 Designation	FBP140(UBR140)
Waveguide Size EIA WR	WR62	Flange 4 Style	Square
Frequency, Min (GHz)	12.4	Flange 4 Type	Cover
Frequency, Max (GHz)	18	Flange 4 Designation	FBP140(UBR140)
I.L., Typ (dB)	0.4	Mechanical Specification	
I.L., Max (dB)	0.6	Body Material	Al
VSWR, H-Plane, Typ	1.3	Finish	Chemical Conversion Coating, Gray Paint
VSWR, H-Plane, Typ	1.30:1	Size, L (mm)	63.5
VSWR, E-Plane, Typ	1.5	Size, W (mm)	48.4
VSWR, E-Plane, Typ	1.50:1	Size, H (mm)	48.4
Isolation, Min (dB)	30	Weight, (kg)	0.12
Isolation, Typ (dB)	40	Pressure Sealed	No
Power Handling, CW, (W)	200	Environmental Specification	
Power Handling, Peak, (KW)	130	Operating Temp. Low (°C)	-55
Interface		Operating Temp. High (°C)	85
Flange 1 Style	Square	Storage Temp. Low (°C)	-60
Flange 1 Type	Cover	Storage Temp. High (°C)	90
Flange 1 Designation	FBP140(UBR140)		
Flange 2 Style	Square		
Flange 2 Type	Cover		
Flange 2 Designation	FBP140(UBR140)		

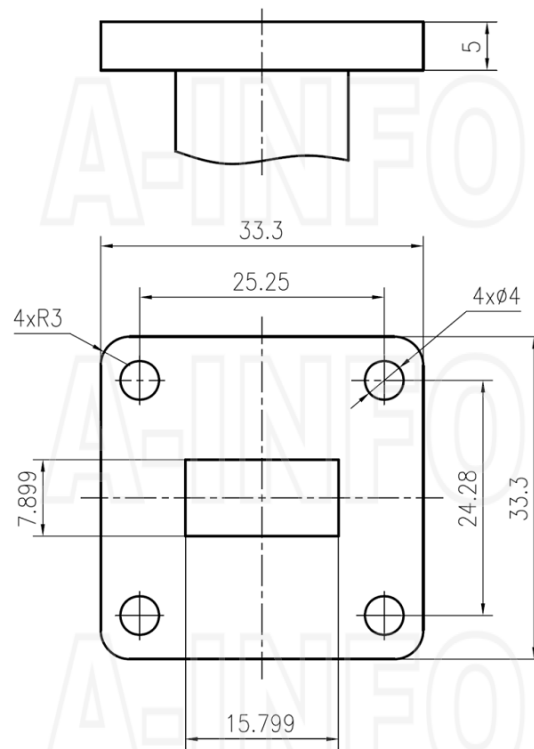
Additional Information

Application	General Purpose Indoor & Outdoor, Fixed
-------------	---

Outline Drawing(Size: mm)



Flange Drawing(Size: mm)

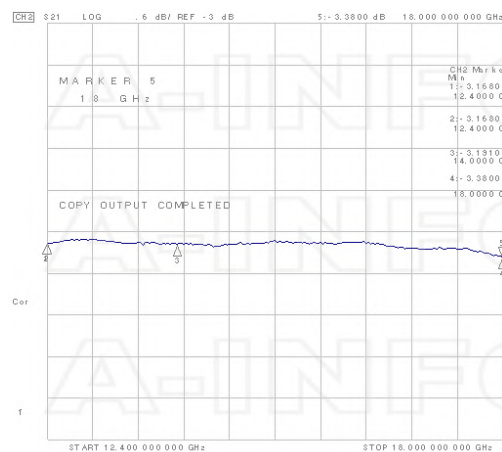


FBP140

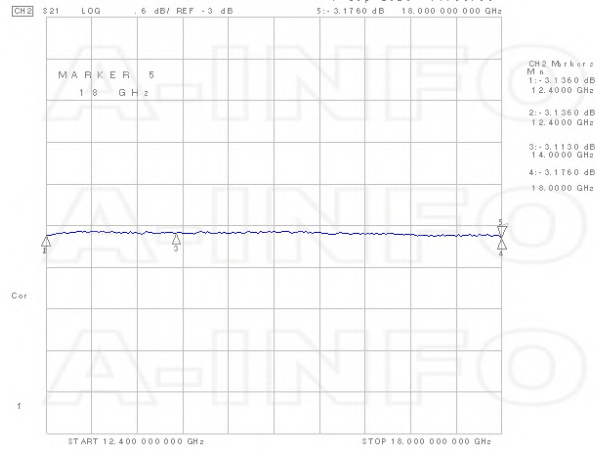
Typical Test Results

Insertion Loss(Including the theoretical loss 3.0dB)

E-Plane

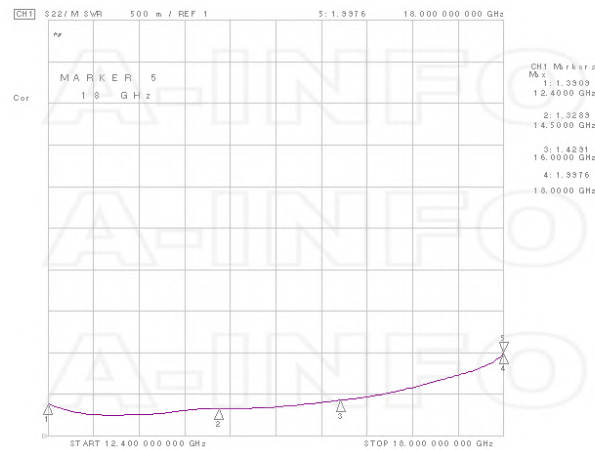


H-Plane

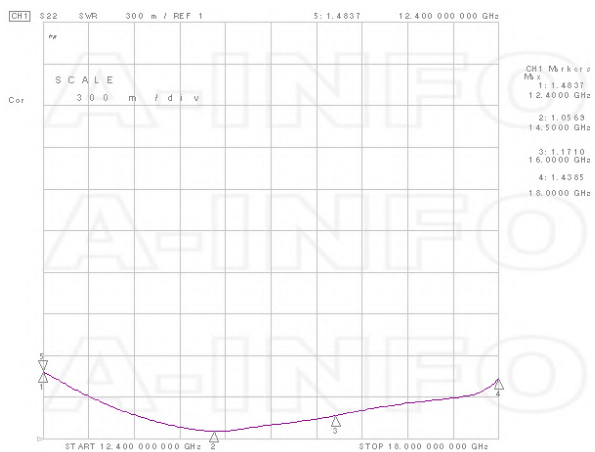


VSWR

E-Plane

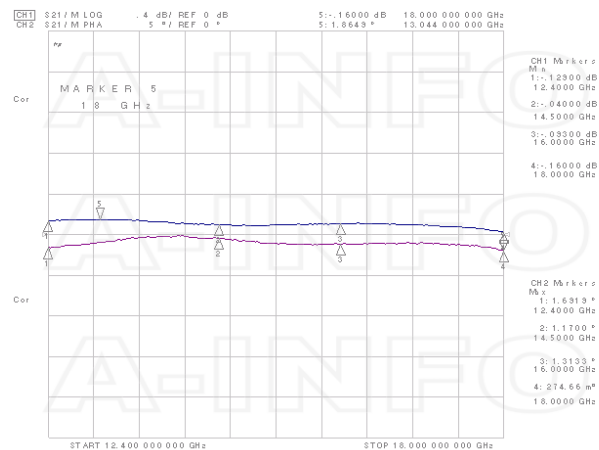


H-Plane

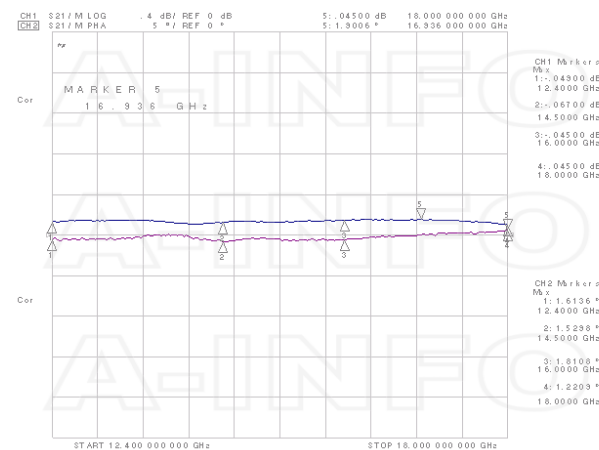


Unbalance

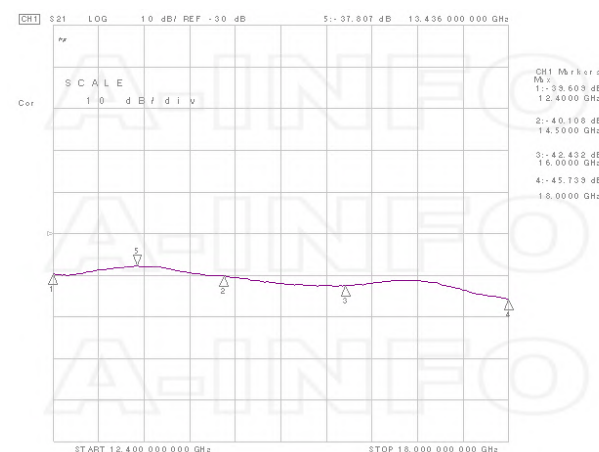
E-Plane



H-Plane



Isolation



Similar Products



51WET WR51 Waveguide E-Plane Tee 15-22GHz with Three Rectangular Waveguide Interfaces



51WHT WR51 Waveguide H-Plane Tee 15-22GHz with Three Rectangular Waveguide Interfaces



51WMT WR51 Waveguide Magic Tee 15-22GHz with Four Rectangular Waveguide Interfaces



62WET WR62 Waveguide E-Plane Tee 12.4-18GHz with Three Rectangular Waveguide Interfaces



62WHT WR62 Waveguide H-Plane Tee 12.4-18GHz with Three Rectangular Waveguide Interfaces



62WMT_BMBPBPBM WR62 Waveguide Magic Tee 12.4-18GHz with Four Rectangular Waveguide Interfaces



75WET WR75 Waveguide E-Plane Tee 10-15GHz with Three Rectangular Waveguide Interfaces



75WHT WR75 Waveguide H-Plane Tee 10-15GHz with Three Rectangular Waveguide Interfaces



75WHT/C10 WR75 Waveguide H-Plane Tee 10.7-12.75GHz with Three Rectangular Waveguide Interfaces



75WMT WR75 Waveguide Magic Tee 10-15GHz with Four Rectangular Waveguide Interfaces

About this Datasheet

<ul style="list-style-type: none">● Product Information <p>Product Link: https://www.ainfoinc.com/62wmt-wr62-waveguide-magic-tee-12-4-18-ghz-fbp140-ubr140 Data subject to change without notice. © A-INFO INC. 2024. All Rights Reserved</p>	<ul style="list-style-type: none">● Contact Us <p>Address: 60 Tesla, Irvine, CA 92618, USA</p> <p>Website: www.ainfoinc.com</p> <p>Email: sales@ainfoinc.com</p>	<ul style="list-style-type: none">● Phone & Fax <p>Phone: +1-949-639-9688 +1-949-639-9608</p> <p>Fax: +1-949-639-9670</p>
--	---	--