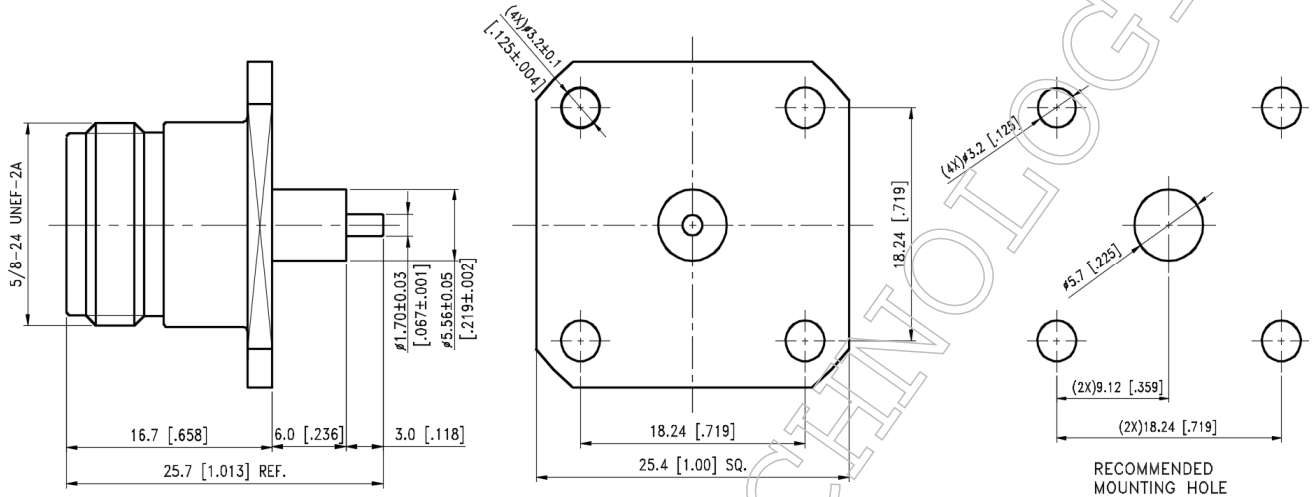


▪ **Outline Dimension Drawing**

Dimensions: mm[inch]



▪ **Material Specification**

| Description | Material | Plating |
|-------------|----------|---------|
| Body        | Brass    | Silver  |
| Contact     | P.Bronze | Silver  |
| Dielectric  | PTFE     |         |
| Ferrule     | Brass    | Silver  |

In the effort to improve our products, we reserve the right to make changes judged to be necessary



▪ **Electrical Specification**

| Description                     |      |           | Description              |      |           |
|---------------------------------|------|-----------|--------------------------|------|-----------|
| Impedance                       | 50   | Ω         | Insulation Resistance    | 5000 | MΩ Min.   |
| Frequency                       | 11   | GHz       | Inner Contact Resistance | 3    | mΩ Max.   |
| VSWR                            | 1.3  | Max.      | Outer Contact Resistance | 2    | mΩ Max.   |
| Insertion Loss                  | 0.2  | dB Max.   | Voltage Rating           | 750  | Vrms Max. |
| Dielectric Withstanding Voltage | 1500 | Vrms Max. |                          |      |           |

▪ **Mechanical Specification**

| Description              |     |        | Description            |       |         |
|--------------------------|-----|--------|------------------------|-------|---------|
| Center Contact           |     |        | Recommended Torque     | 12~15 | in. lbs |
| Axial Force-Mating End   | 6   | lbs.   | Coupling Nut Retention | N/A   | in. lbs |
| Axial Force-Opposite End | 6   | lbs.   |                        |       |         |
| Connector Durability     | 500 | cycles |                        |       |         |
| Weight                   | N/A | g      |                        |       |         |

▪ **Environmental Specification**

| Description      |     |    |
|------------------|-----|----|
| Temperature Min. | -65 | °C |
| Temperature Max. | 165 | °C |
| Hermetic Seal    | N/A |    |

In the effort to improve our products, we reserve the right to make changes judged to be necessary