

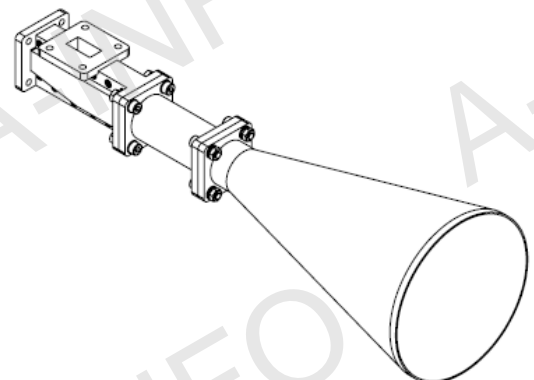
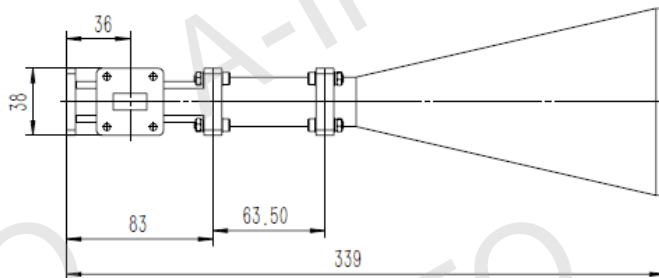
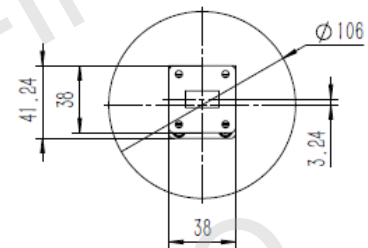
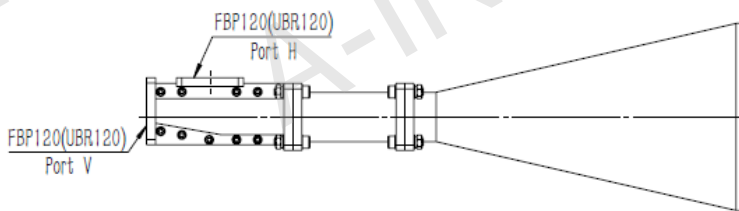
Technical Specification



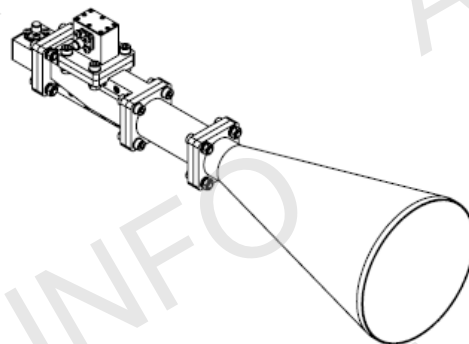
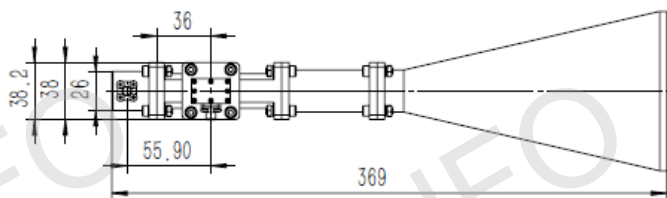
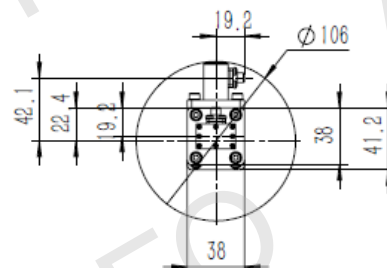
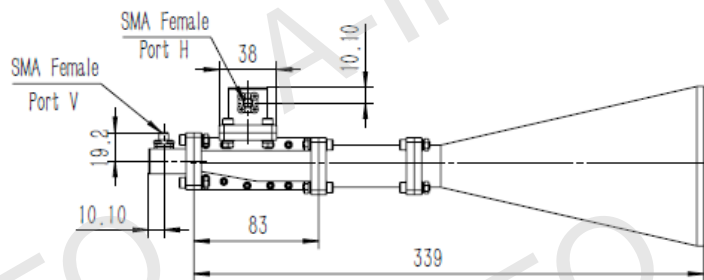
Frequency Range(GHz)	10.0 - 13.0
Waveguide	WR75
Gain(dB)	20 Typ.
Polarization	Dual Linear
VSWR	2.0 Max.
3dB Beamwidth(deg)	21-12
Port to Port Isolation(dB)	30 Min.
Material	Al
Output	A Type: FBP120(UBR120)
	C Type: N/SMA/3.5mm/TNC/7mm
Size(mm)	A Type: $\Phi 106 \times 339$
	C Type: $\Phi 106 \times 369$
Net Weight(Kg)	A Type: 0.46 Around
	C Type: 0.56 Around

Outline Drawing (Size: mm)

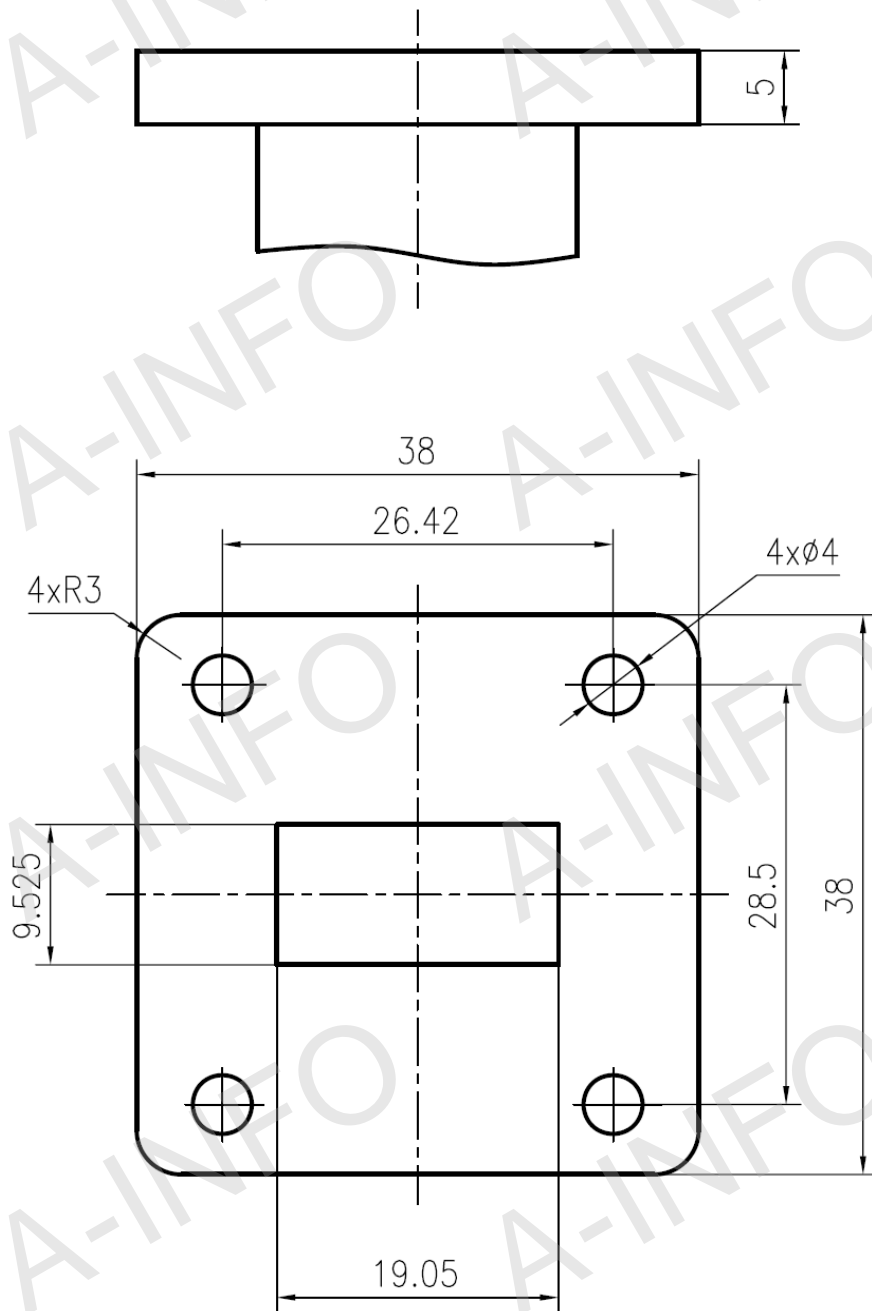
A Type (With FBP120 Output)



C Type (With SMA Female Output)



Flange Drawing (Size: mm)



FBP120

AINFO Inc.

Page 3 of 8

China(Beijing):
China(Chengdu):
USA :

Tel: (+86) 10-6266-7326,
Tel: (+86) 28-8519-2786,
Tel: (+1) 949-346-7326,

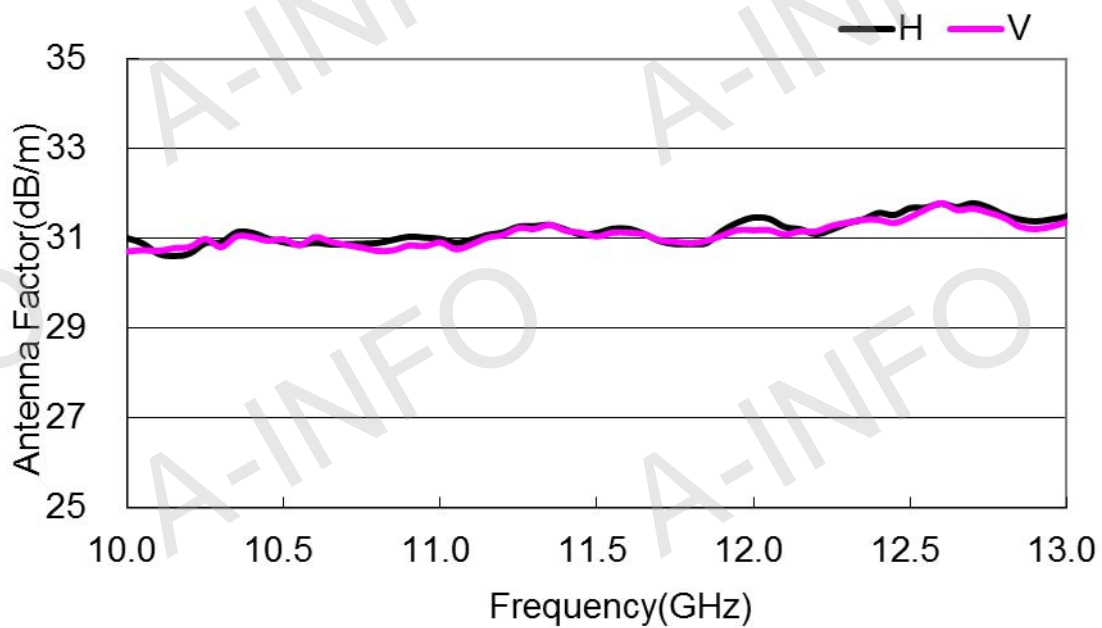
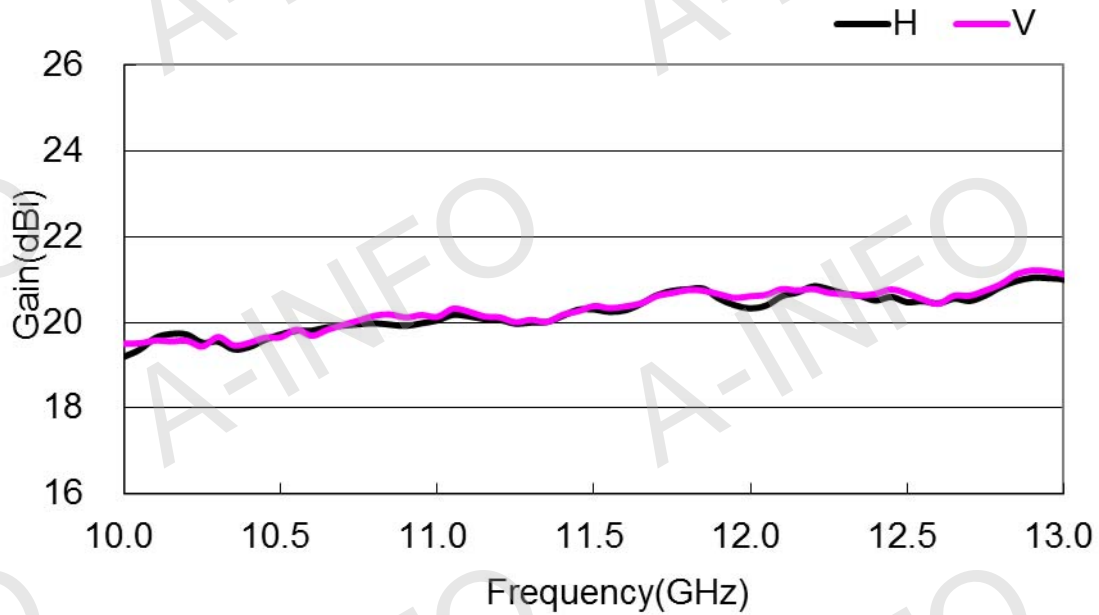
(+86) 10-6266-7327
(+86) 28-8519-3044
(+1) 949-639-9660

Fax: (+86) 10-6266-7379
Fax: (+86) 28-8519-3068
Fax: (+1) 949-639-9659

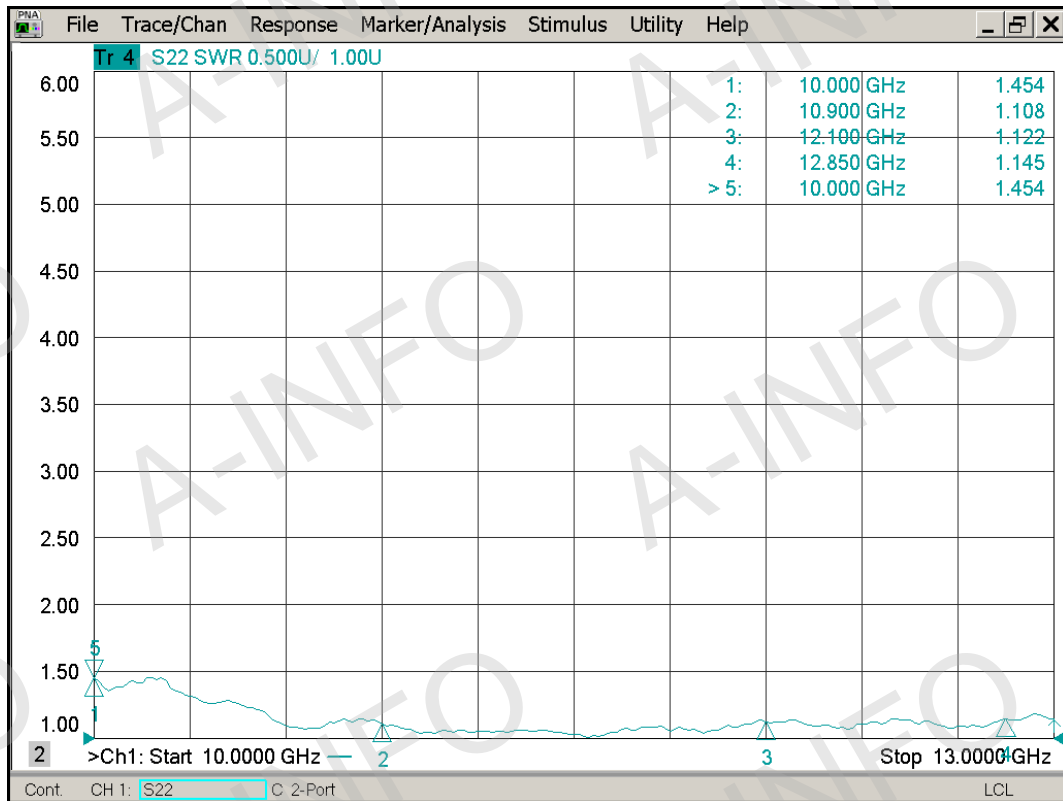
Website: www.ainfoinc.com
Email: sales@ainfoinc.com

Test Results

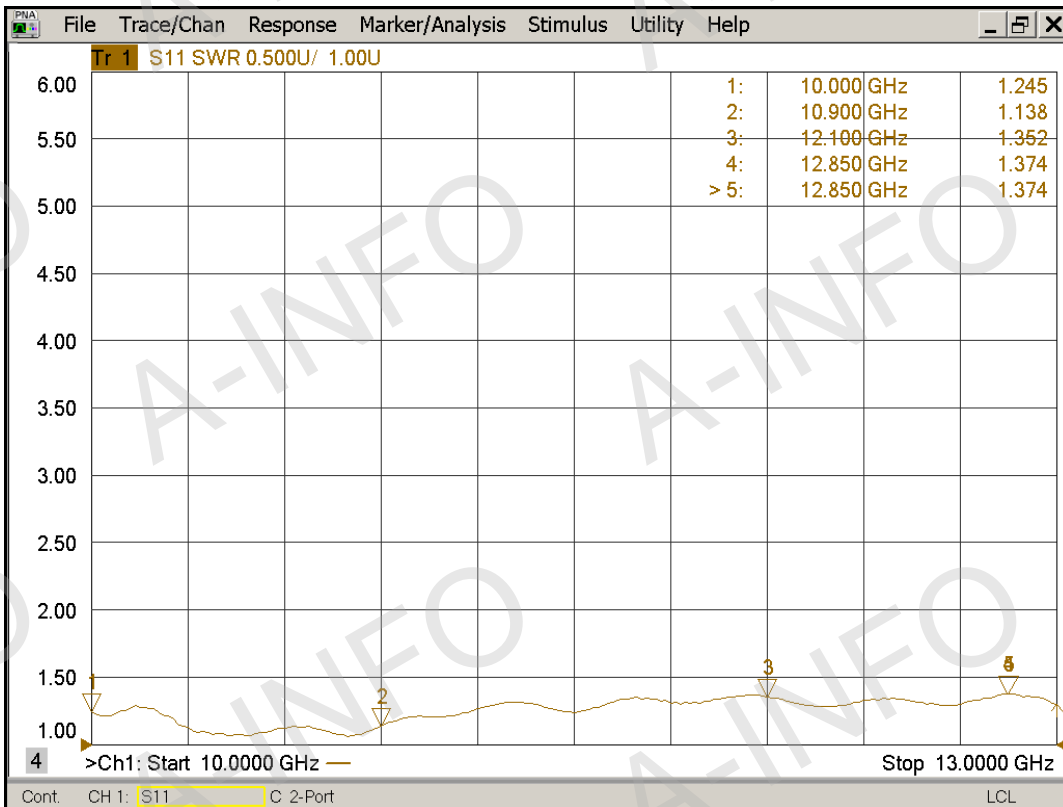
1. Gain and Antenna Factor



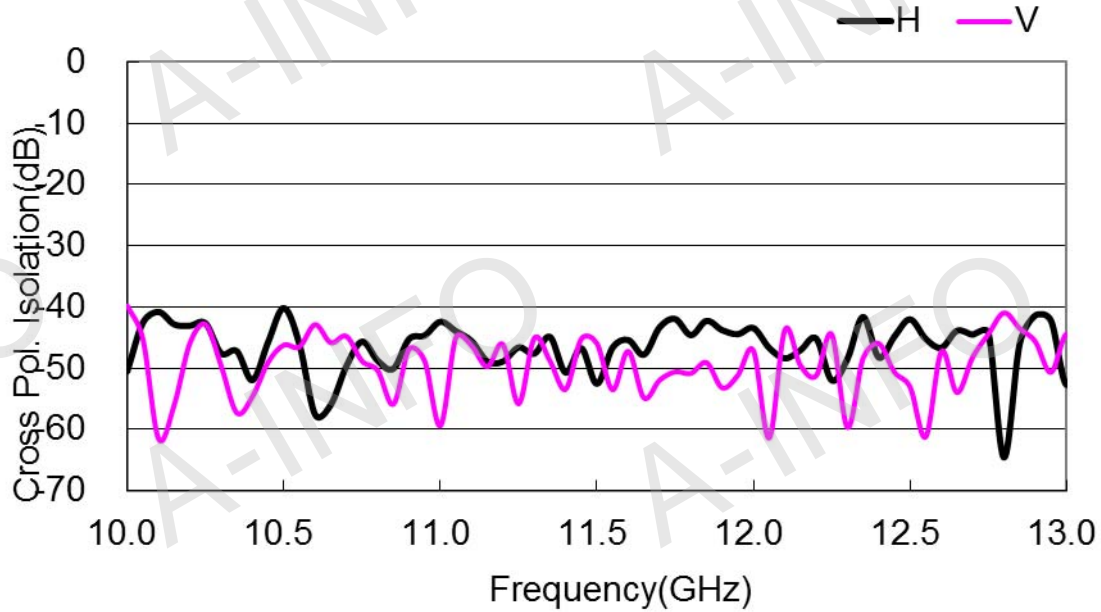
2. VSWR Port-V



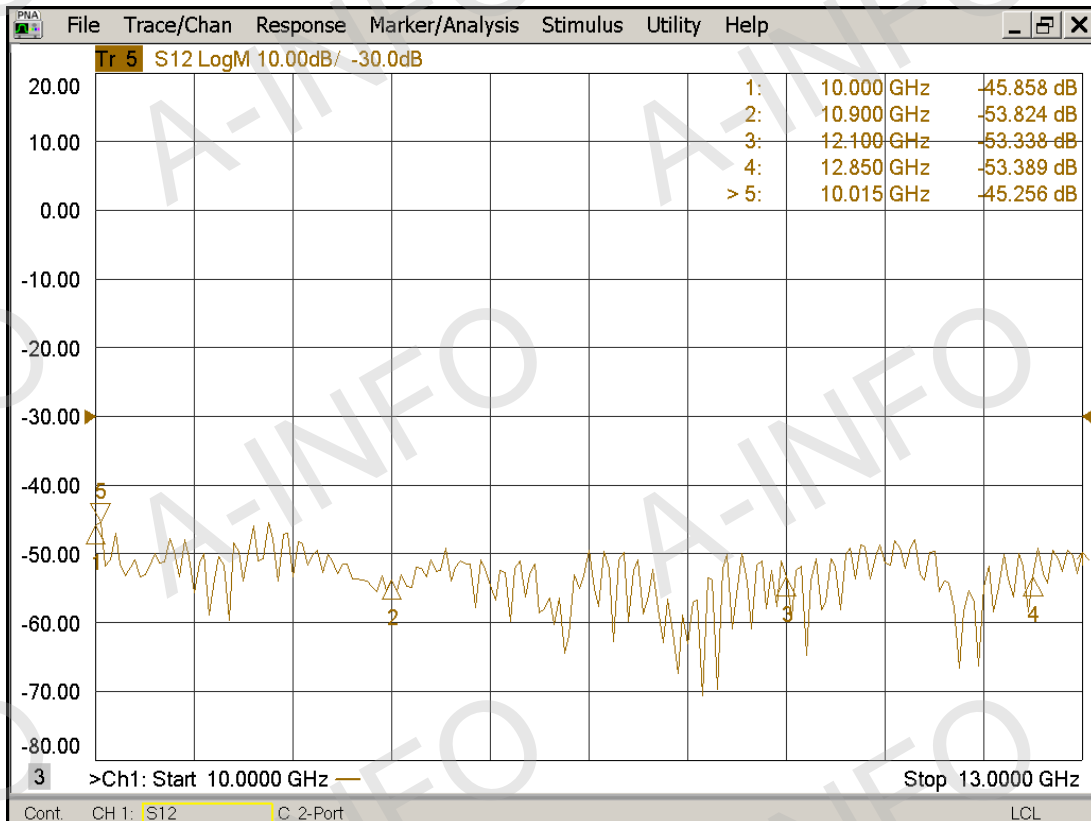
Port-H



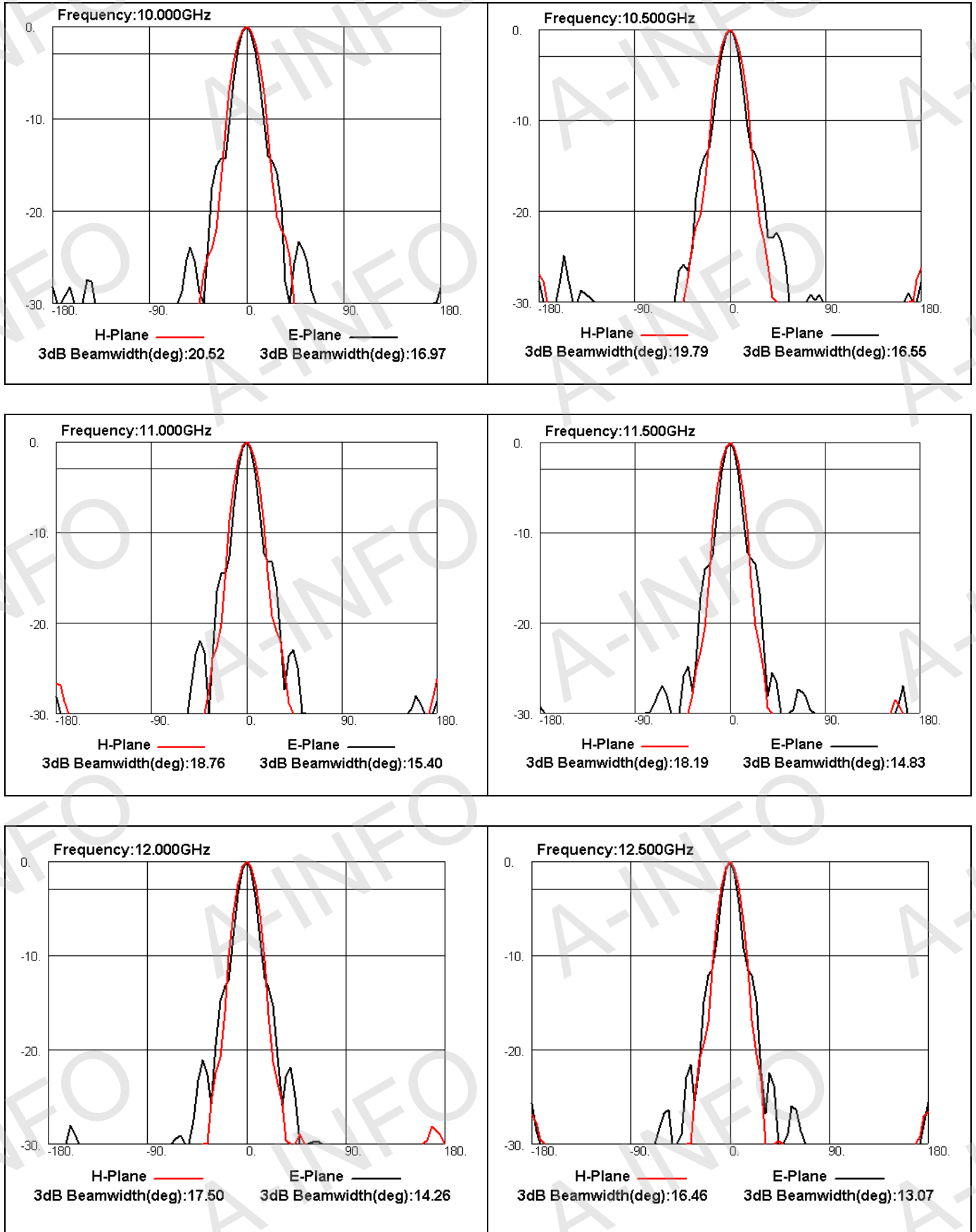
3. Cross Polarization Isolation



4. Port to Port Isolation



5. Pattern



AINFO Inc.

Page 7 of 8

China(Beijing):
China(Chengdu):
USA :

Tel: (+86) 10-6266-7326,
Tel: (+86) 28-8519-2786,
Tel: (+1) 949-346-7326,

(+86) 10-6266-7327
(+86) 28-8519-3044
(+1) 949-639-9660

Fax: (+86) 10-6266-7379
Fax: (+86) 28-8519-3068
Fax: (+1) 949-639-9659

Website: www.ainfoinc.com
Email: sales@ainfoinc.com

