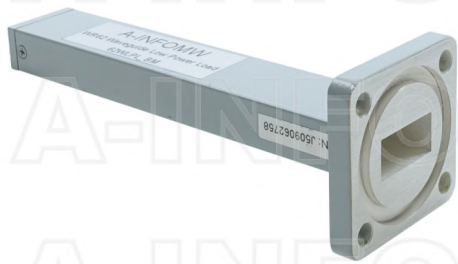


62WLPL_BM WR62 Waveguide Low Power Load 12.4-18GHz with Rectangular Waveguide Interface

WR62 Waveguide Low Power Load Operating From 12.4 to 18GHz with Rectangular Waveguide Interface



Product Information

SKU	62WLPL_BM
-----	-----------

Description

Waveguide low power load 62WLPL_BM, operating from 12.4 to 18GHz and low VSWR 1.04:1 62WLPL_BM covers the WR62 full waveguide band and comes with one flange FBM140(PBR140). It can handle 1.5W continuously and 1.5KW peak power. The WLPL series are for general version, low VSWR terminations for system application. The typical applications include system or test bench set-ups and small moderate power dummy loads.

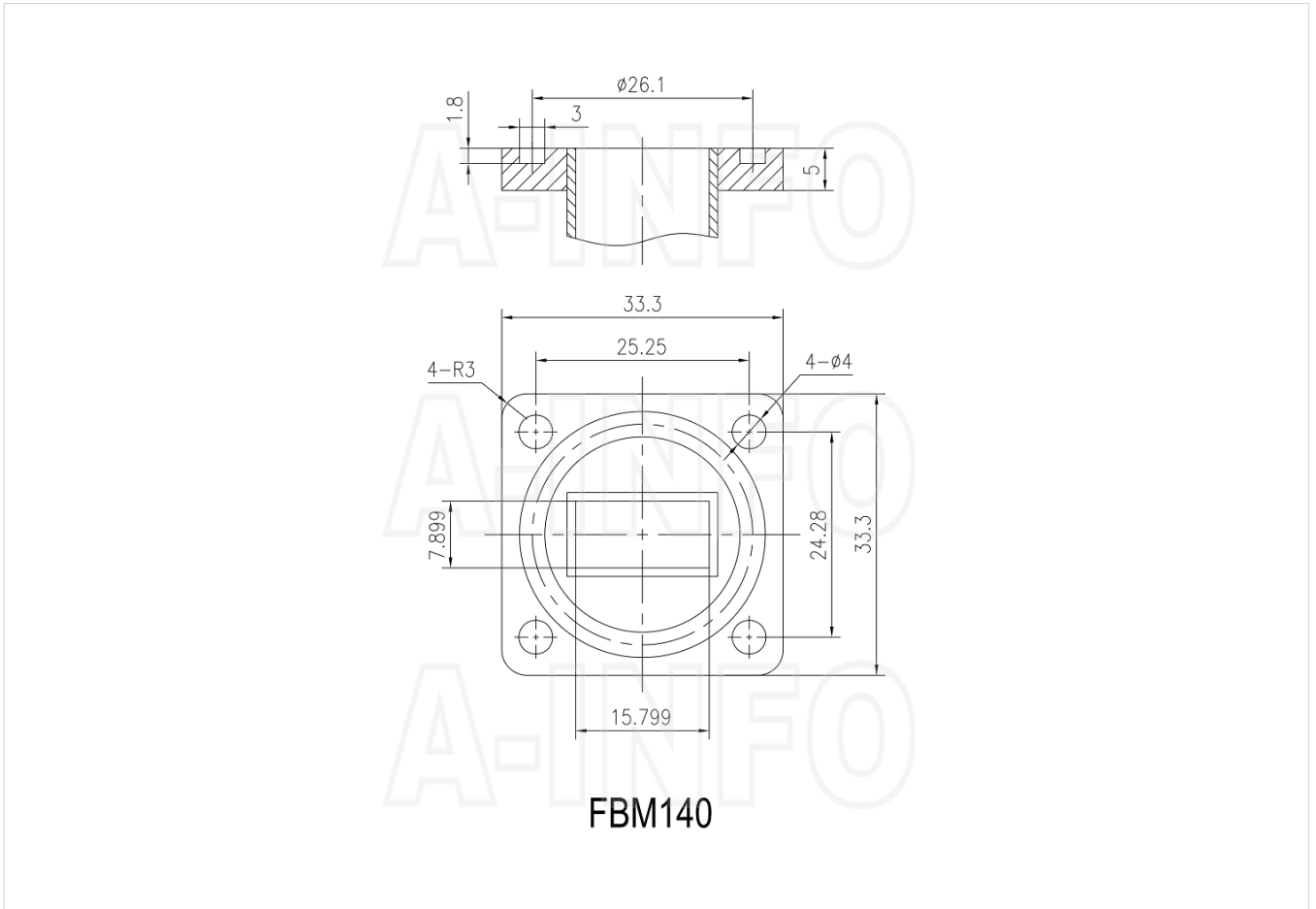
Technical Specification

Electrical Specification		Mechanical Specification	
WG Load Type	Low Power	Body Material	Al
Waveguide Band	Ku	Size, L (mm)	102
Waveguide Type	Rectangular	Size, W (mm)	33.3
Waveguide Size EIA WR	WR62	Size, H (mm)	33.3
Frequency, Min (GHz)	12.4	Weight, (kg)	0.09
Frequency, Max (GHz)	18	Pressure Sealed	No
VSWR, Typ	1.03:1	Environmental Specification	
VSWR, Max	1.04:1	Operating Temp. Low (°C)	-55
Power Handling, CW, (W)	1.5	Operating Temp. High (°C)	85
Power Handling, Peak, (KW)	1.5	Storage Temp. Low (°C)	-60
Interface		Storage Temp. High (°C)	90
Flange Style	Square		
Flange Type	Grooved		
Flange Designation	FBM140(PBR140)		

Additional Information

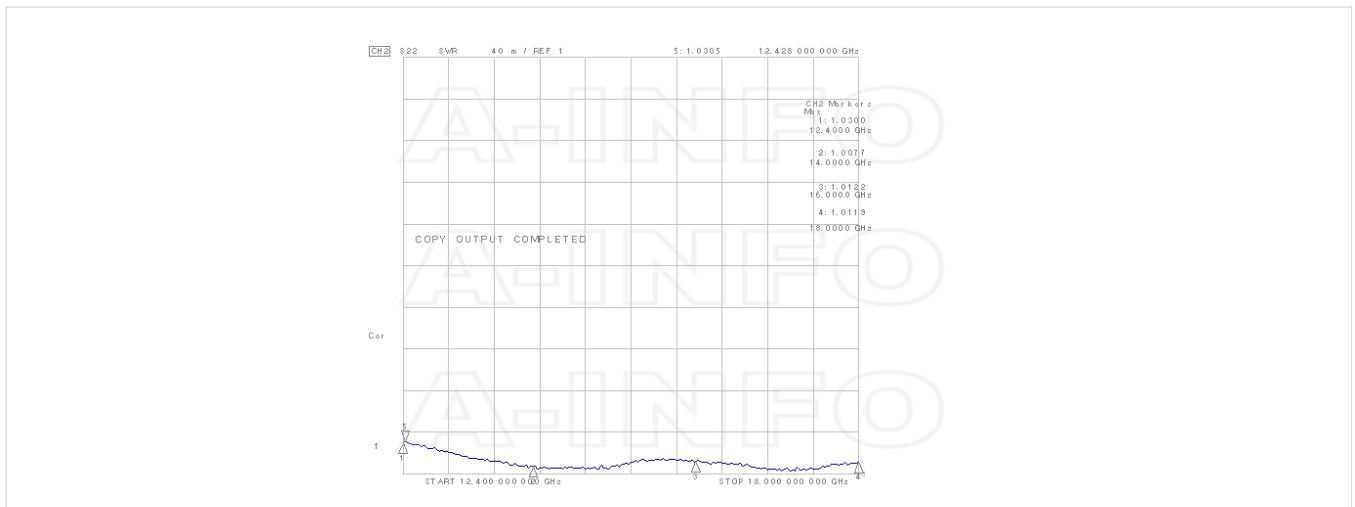
Application	General Purpose Indoor & Outdoor, Fixed
-------------	---

Flange Drawing



Typical Test Results

VSWR



About this Datasheet

<ul style="list-style-type: none"> ● Product Information Product Link: https://www.ainfoinc.com/62wlpl-bm-wr62-waveguide-low-power-load-12-4-18-ghz-fbm140-pbr140 Data subject to change without notice. © A-INFO INC. 2024. All Rights Reserved 	<ul style="list-style-type: none"> ● Contact Us Address: 60 Tesla, Irvine, CA 92618, USA Website: www.ainfoinc.com Email: sales@ainfoinc.com 	<ul style="list-style-type: none"> ● Phone & Fax Phone: +1-949-639-9688 +1-949-639-9608 Fax: +1-949-639-9670
--	---	---