

MCJn: n=7-10 (e.g., n=10 for 1P10T)

NORMALLY OPEN

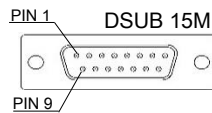
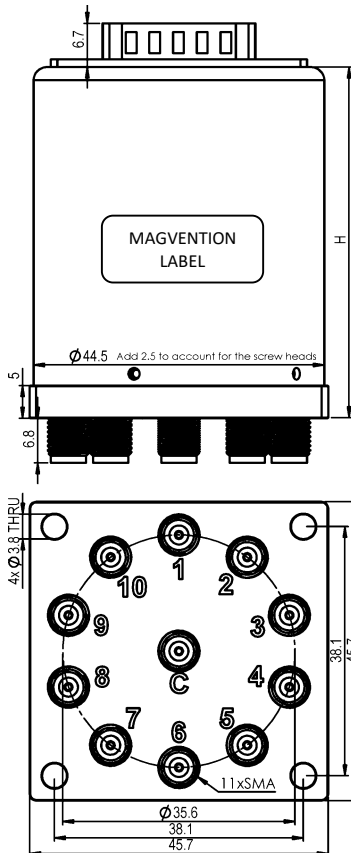
The MCJ10-K26 series features K connectors and an operation frequency range of DC to 26.5 GHz. Higher frequency ranges are available. This product is of **NORMALLY OPEN** type with a compact design. The product options include TTL, suppression diodes, indicators, etc.



Specifications					
Contact Material	Plated Au				
Switching Sequence	Break before Make				
Switching Time (max)	15msec				
Impedance	50Ω				
Temperature Range	-25°C to +65°C -55°C to +85°C ("e" option)				
Relative Humidity	5 to 85%				
Operation Life (cycles)	1000000				
Vibration Operating	10G RMS, 20-2000Hz				
Mechanical Shock (non-operating)	50G, 1/2 Sine, 11msec				
Weight (approx.)	225g				
Voltage (VDC)		12	18	24	28
Current (mA)	Normally Open	290	145	125	100

Frequency Range (GHz)	VSWR (max)	Insertion Loss (dB) (max)	Isolation (dB) (min)
DC-3	1.3	0.3	85
3-10	1.4	0.4	80
10-18	1.6	0.6	60
18-26.5	1.9	0.8	55

Other options are available upon request.



1PnT PORT CONFIGURATIONS	
1PnT	Ports Used
1P10T	1 2 3 4 5 6 7 8 9 10
1P9T	1 2 3 4 5 6 7 8 9
1P8T	2 3 4 5 7 8 9 10
1P7T	1 2 4 5 7 8 10

Note: "Blank" represents the unused RF and corresponding control ports.

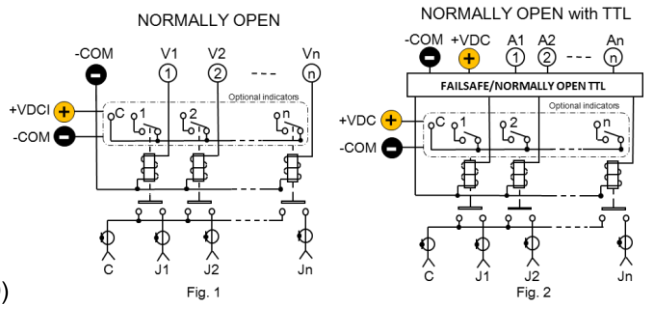
Optional Indicator Specifications
 Max withstand voltage: 60V
 Max current capacity: 100mA
 Max "ON" resistance: 16Ω
 Note: +VDC and -C must be connected to operate.

NORMALLY OPEN 15-PIN D-SUB PINOUT	
Pin No.	PINOUT
n=1-10	Vn (Jn-COM)
11	COM(-)
12-15	UNUSED

NORMALLY OPEN with TTL 15-PIN D-SUB PINOUT	
Pin No.	PINOUT
n=1-10	An (Jn-COM)
11	COM(-)
12-14	UNUSED
15	+VDC

MCJ7-, 1P7T SWITCH
 MCJ8-, 1P8T SWITCH
 MCJ9-, 1P9T SWITCH
 MCJ10-, 1P10T SWITCH

H = 62 (max) (STANDARD)
 = 72 (max) (with TTL)



Mechanical drawings (unit: mm, tolerance +/-0.5mm).