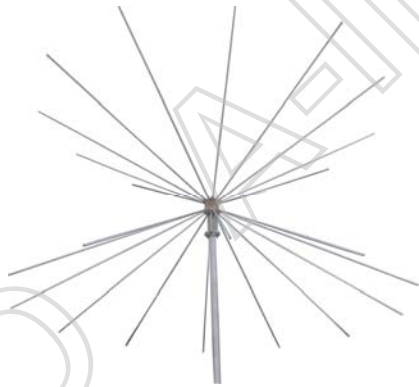
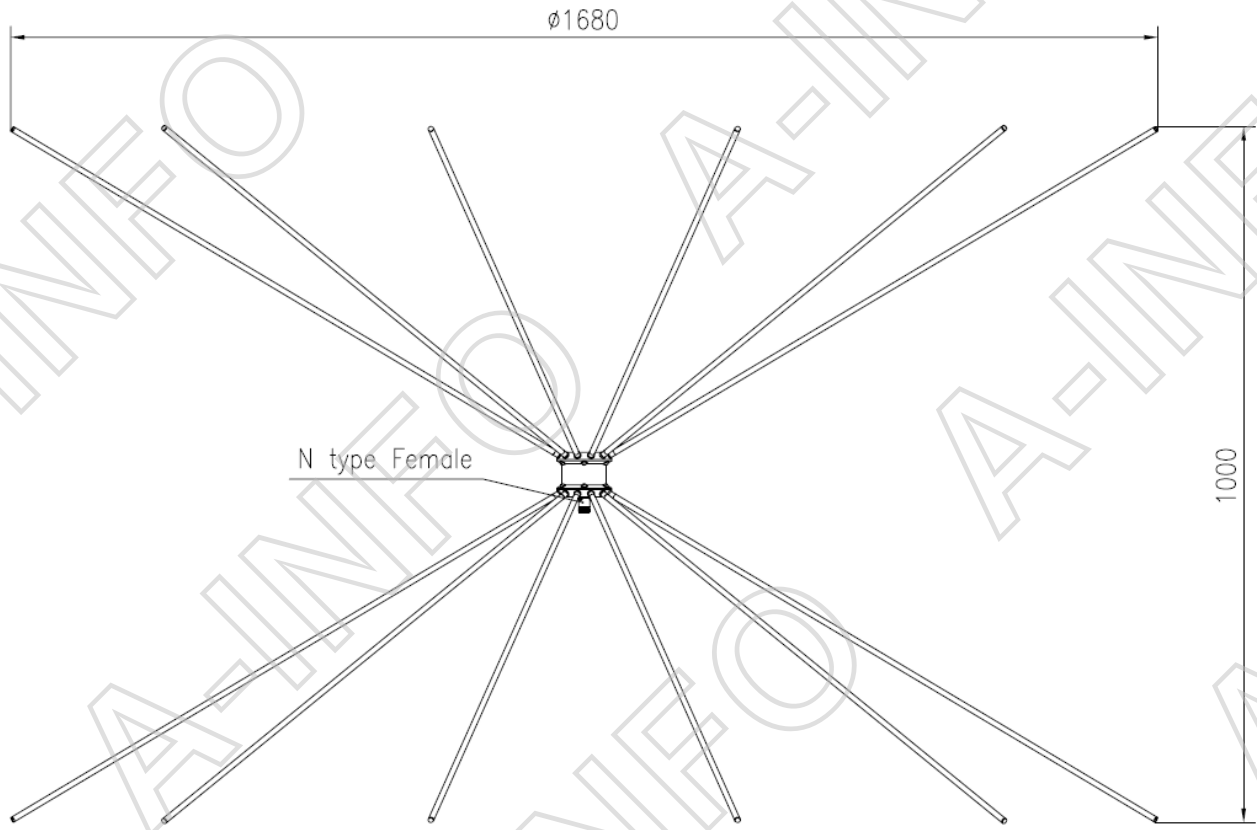


Technical Specification



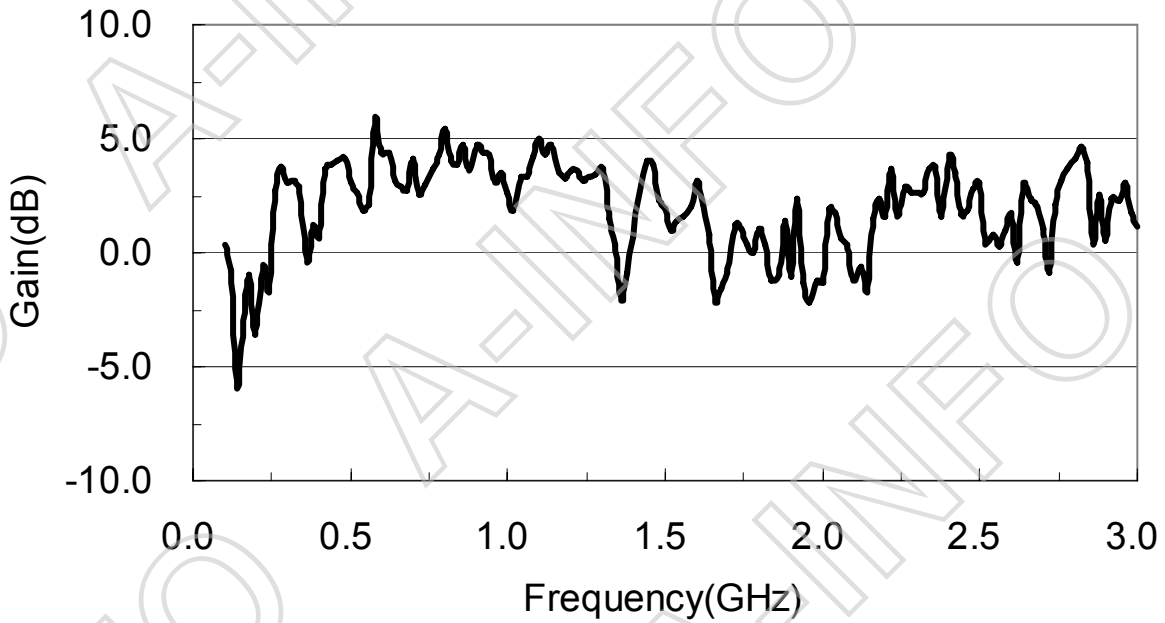
Frequency Range(GHz)	0.1-3.0
Polarization	Vertical
Gain(dB)	4.0 Typ.
VSWR	2.5:1 Typ.
Power (W)	100 CW
Connector	N -Female
Size(mm)	(Φ)1680 x (H)1000 approx.
Net Weight(Kg)	3.2 Around

Outline Drawing (Size: mm)

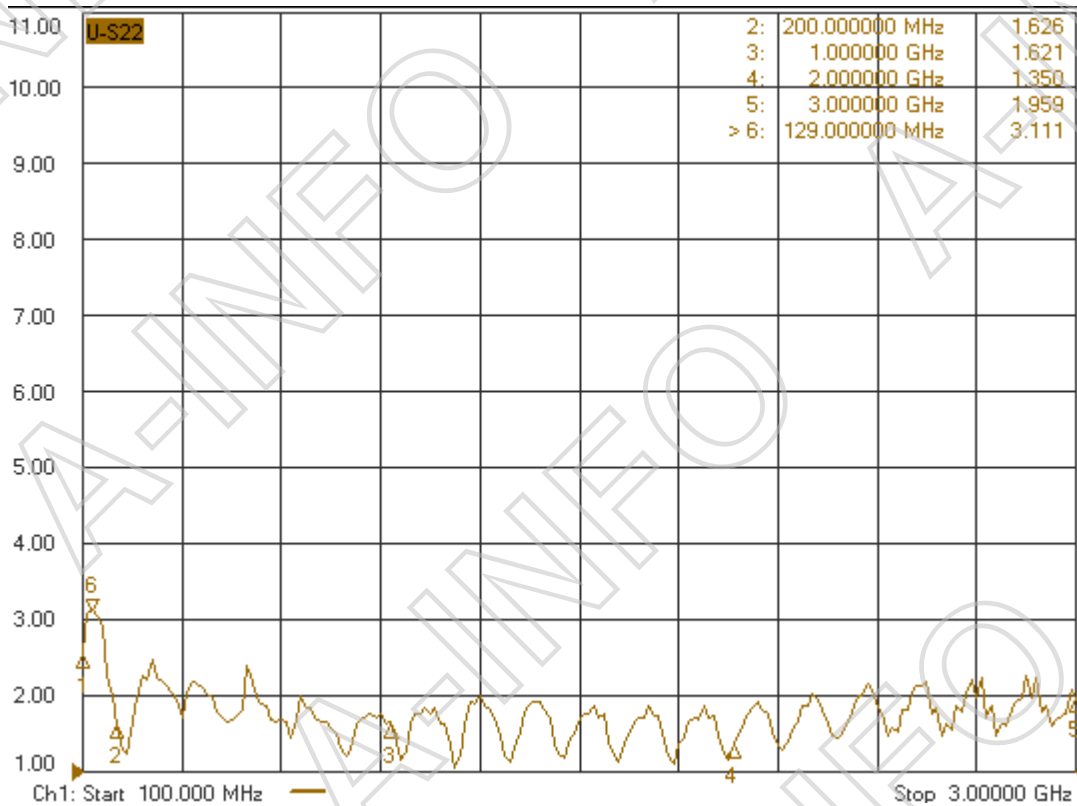


Test Results

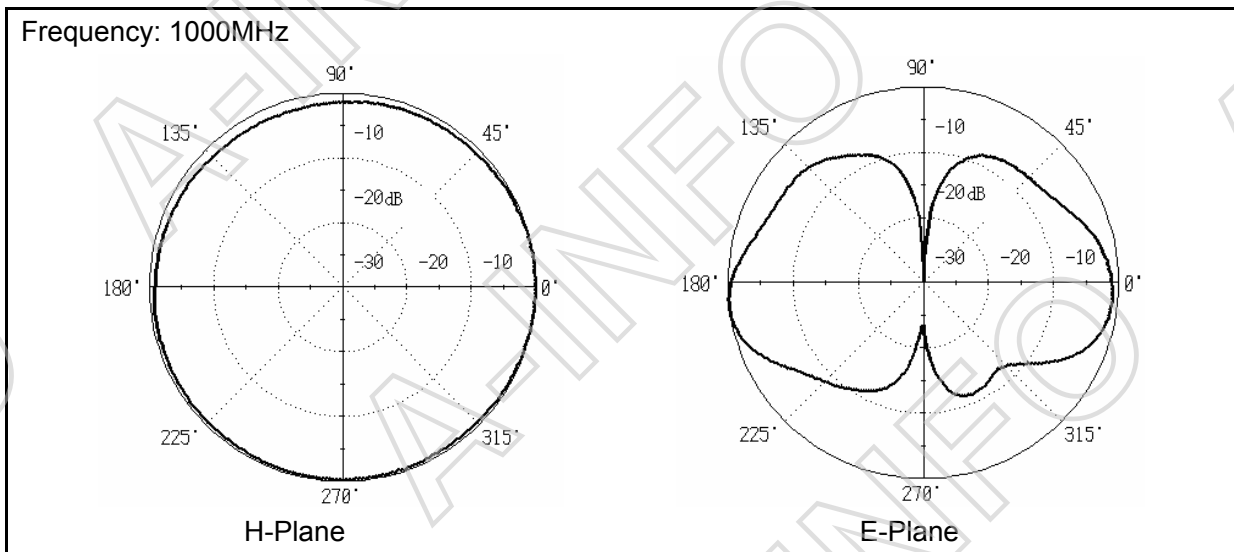
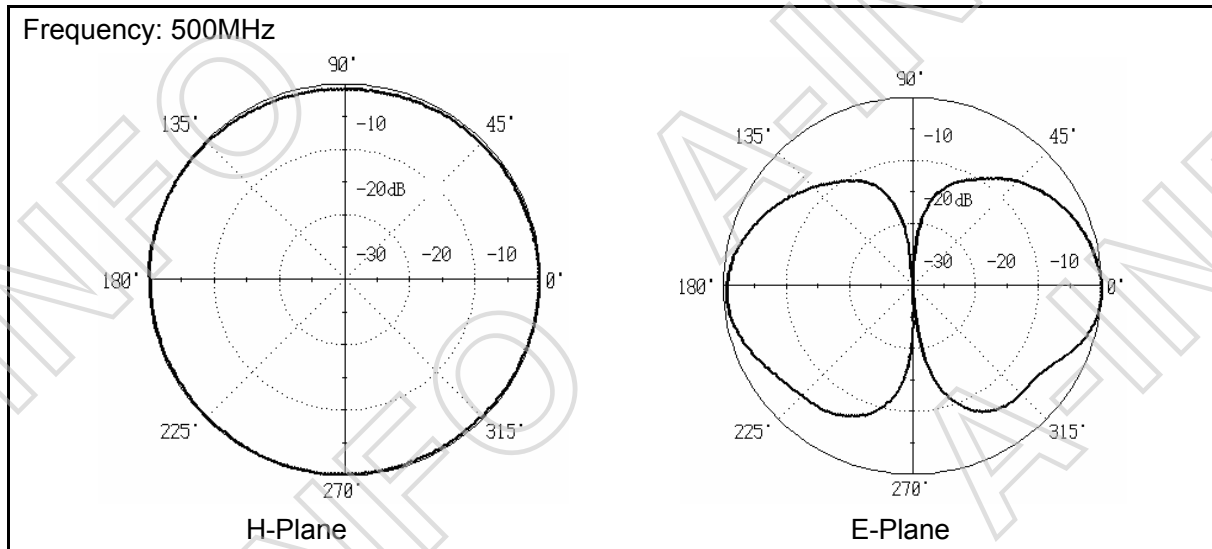
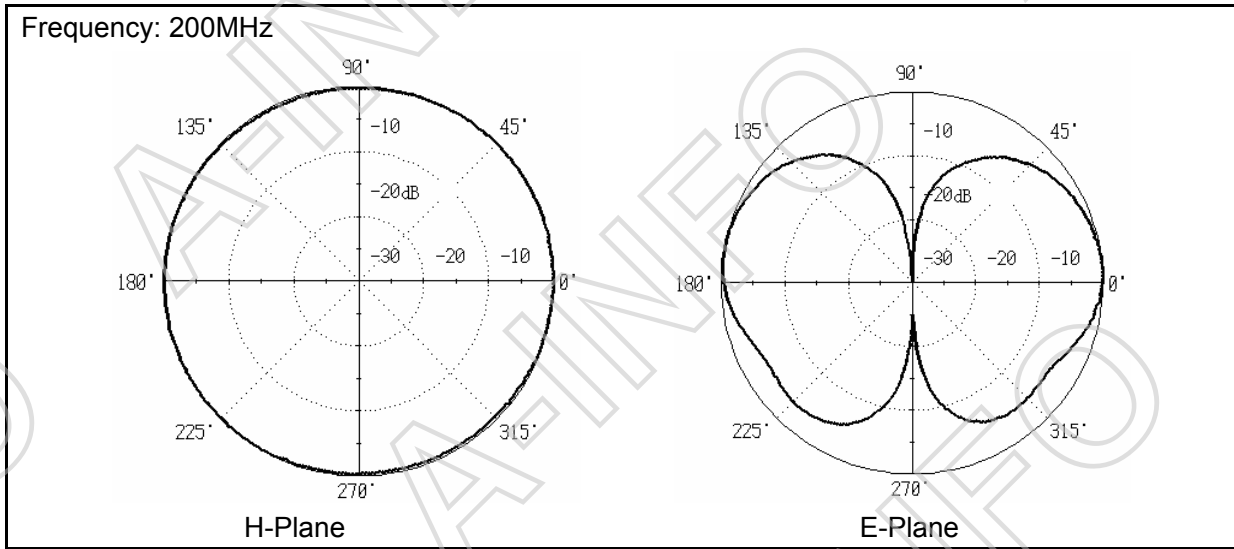
1. Gain



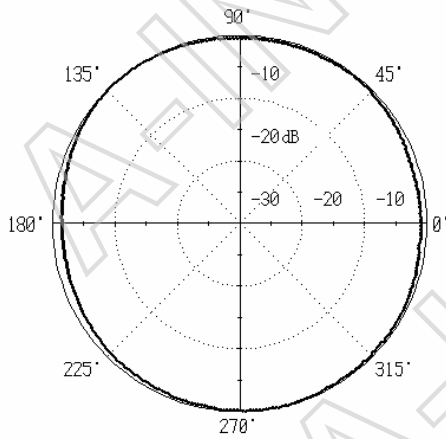
2. VSWR



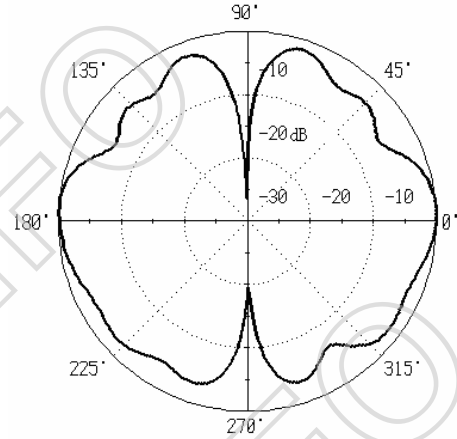
3. Pattern



Frequency: 1500MHz

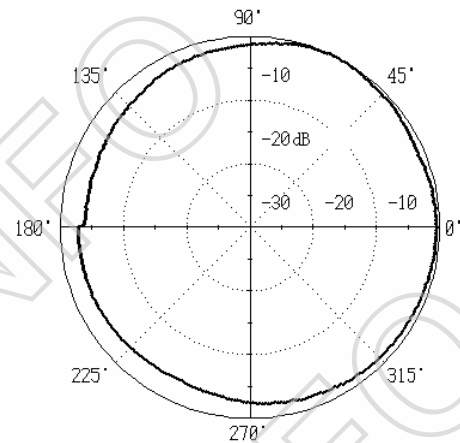


H-Plane

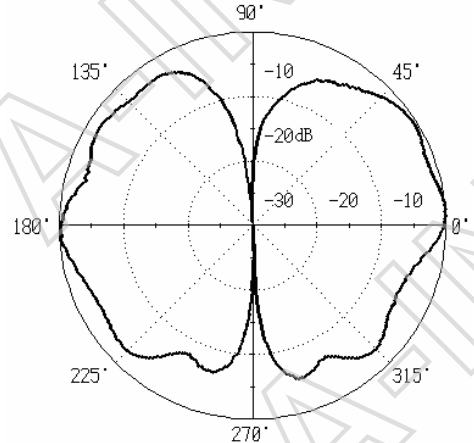


E-Plane

Frequency: 2000MHz

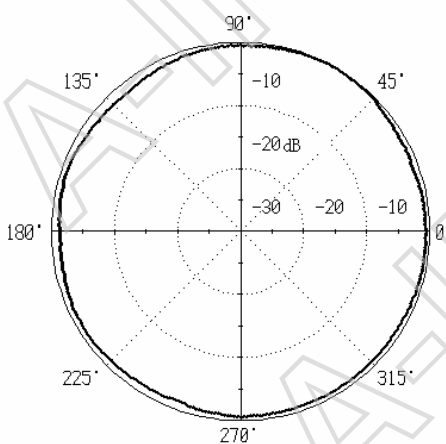


H-Plane

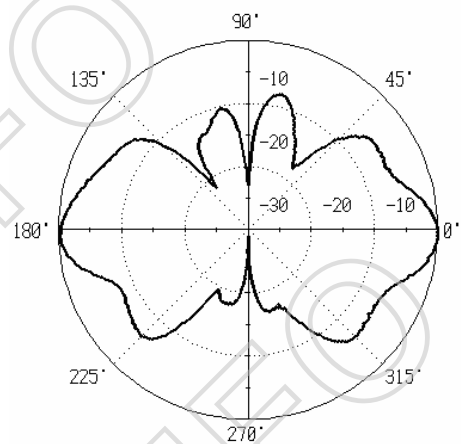


E-Plane

Frequency: 2500MHz



H-Plane



E-Plane

