

75WLPL_BM WR75 Waveguide Low Power Load 10-15GHz with Rectangular Waveguide Interface



WR75 Waveguide Low Power Load Operating From 10 to 15GHz with Rectangular Waveguide Interface

Product Information

SKU	75WLPL_BM
-----	-----------

Description

Waveguide low power load 75WLPL_BM, operating from 10 to 15GHz and low VSWR 1.04:1. 75WLPL_BM covers the WR75 full waveguide band and comes with one flange FBM120(PBR120). It can handle 2W continuously and 2KW peak power. The WLPL series are for general version, low VSWR terminations for system application. The typical applications include system or test bench set-ups and small moderate power dummy loads.

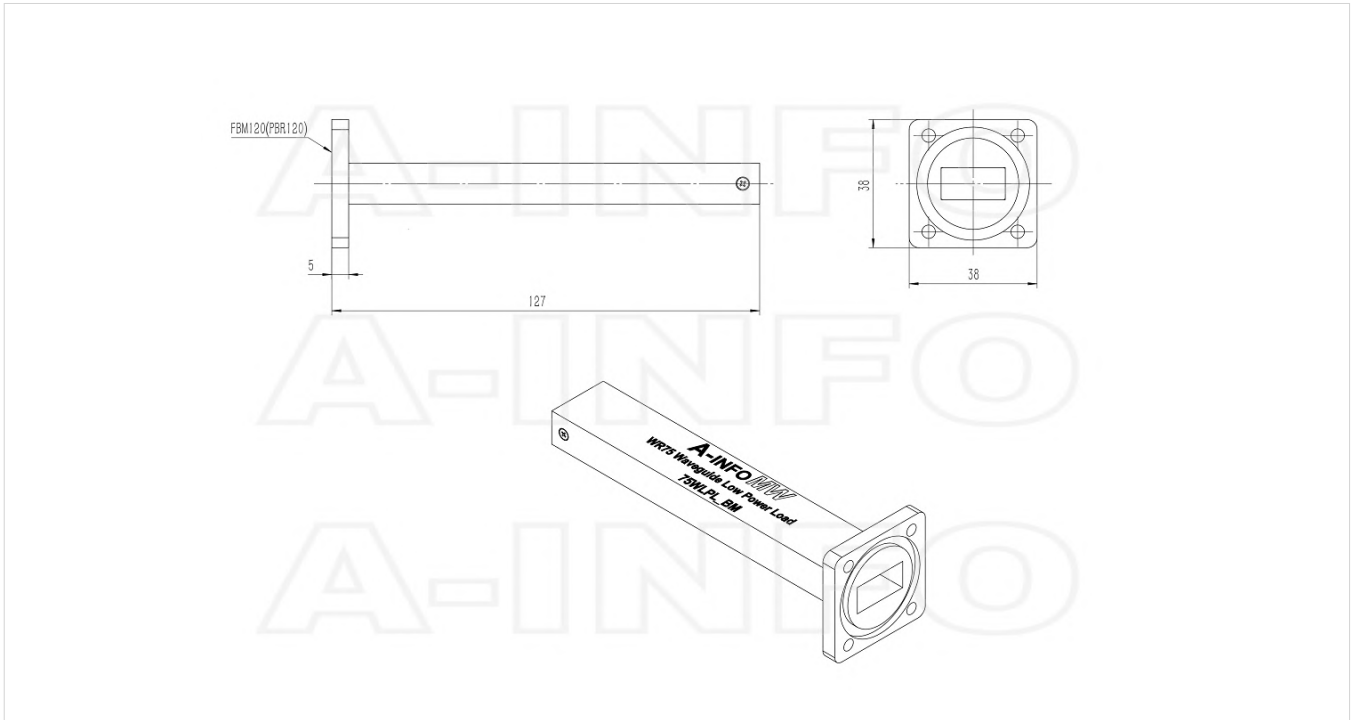
Technical Specification

Electrical Specification		Mechanical Specification	
WG Load Type	Low Power	Body Material	Al
Waveguide Band	X Ku	Size, L (mm)	127
Waveguide Type	Rectangular	Size, W (mm)	38
Waveguide Size EIA WR	WR75	Size, H (mm)	38
Frequency, Min (GHz)	10	Weight, (kg)	0.06
Frequency, Max (GHz)	15	Pressure Sealed	No
VSWR, Typ	1.030:1	Environmental Specification	
VSWR, Max	1.04:1	Operating Temp. Low (°C)	-55
Power Handling, CW, (W)	2	Operating Temp. High (°C)	85
Power Handling, Peak, (KW)	2	Storage Temp. Low (°C)	-60
		Storage Temp. High (°C)	90
Interface			
Flange Style	Square		
Flange Type	Grooved		
Flange Designation	FBM120(PBR120)		

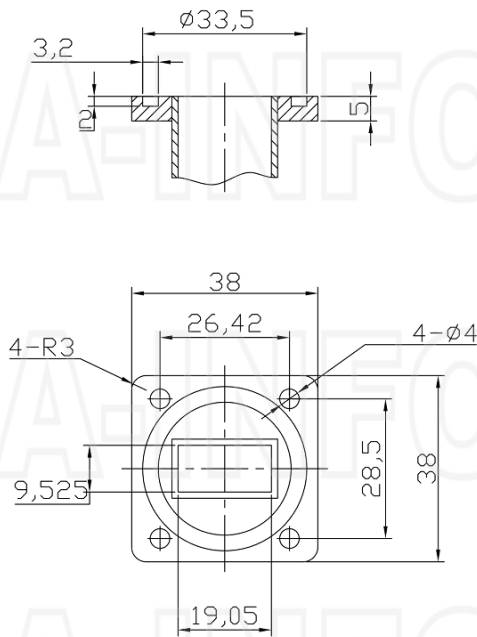
Additional Information

Application	General Purpose Indoor & Outdoor, Fixed
-------------	---

Outline Drawing



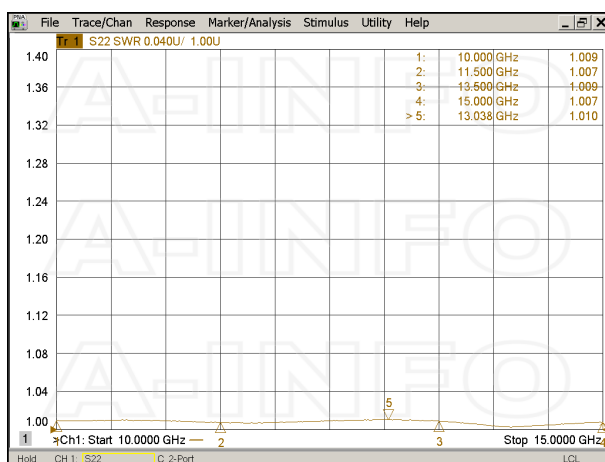
Flange Drawing



FBM120

Typical Test Results

VSWR



About this Datasheet

<ul style="list-style-type: none">● Product Information <p>Product Link: https://www.ainfoinc.com/75wlpl-bm-wr75-waveguide-low-power-load-10-15-ghz-fbm120-pbr120 Data subject to change without notice. © A-INFO INC. 2024. All Rights Reserved</p>	<ul style="list-style-type: none">● Contact Us <p>Address: 60 Tesla, Irvine, CA 92618, USA</p> <p>Website: www.ainfoinc.com</p> <p>Email: sales@ainfoinc.com</p>	<ul style="list-style-type: none">● Phone & Fax <p>Phone: +1-949-639-9688 +1-949-639-9608</p> <p>Fax: +1-949-639-9670</p>
--	---	--