

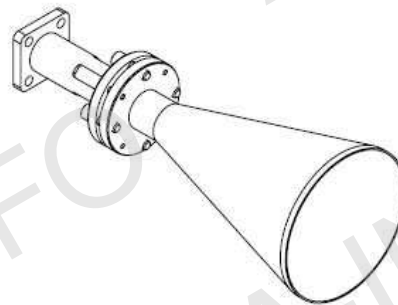
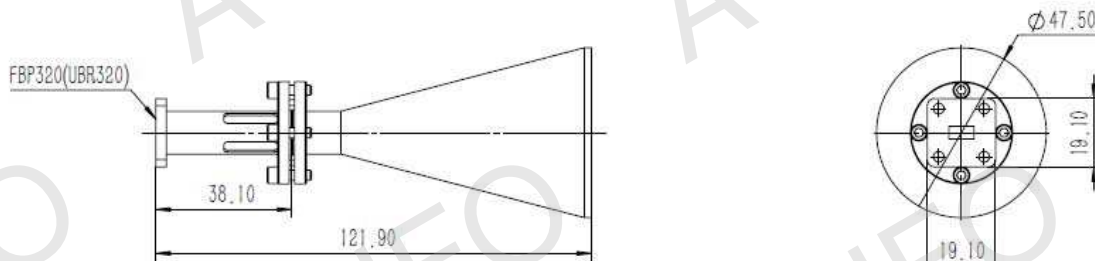
Technical Specification



Frequency Range(GHz)	26.5 - 40.0
Waveguide	WR28
Gain(dB)	20 Typ.
3dB Beamwidth(deg)	E Plane: 15 Typ.
	H Plane: 13 Typ.
Polarization	Linear
Cross Pol. Isolation(dB)	-30 Typ.
VSWR	A Type: 1.25 Max.
	C Type: 1.5 Max.
Material	Cu
Output	A Type: FBP320(UBR320)
	C Type: 2.92mm-Female or 2.4mm-Female
Size(mm)	A Type: $\Phi 47.5 \times 121.9$
	C Type: $\Phi 47.5 \times 145.9$
Net Weight(Kg)	A Type: 0.12 Around
	C Type: 0.16 Around

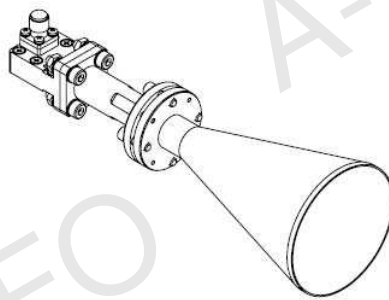
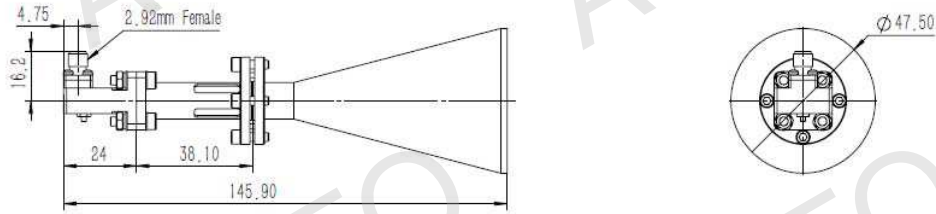
Outline Drawing (Size: mm)

A Type(With FBP320 Output)



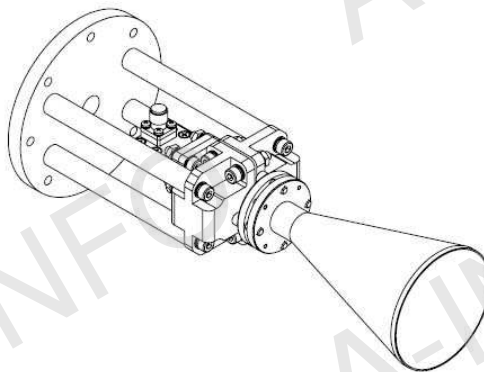
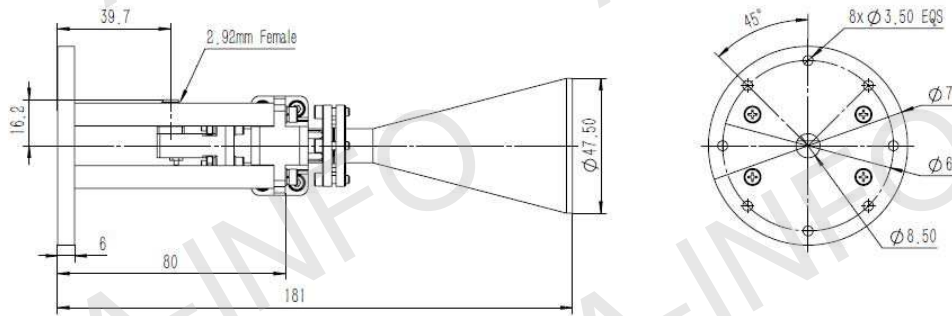
C Type (With 2.92mm-Female Output)

For 2.4mm-Female output outline drawing, please contact A-INFO.

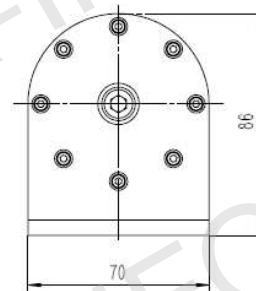
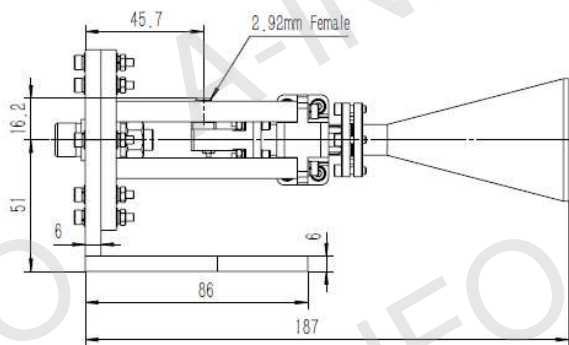
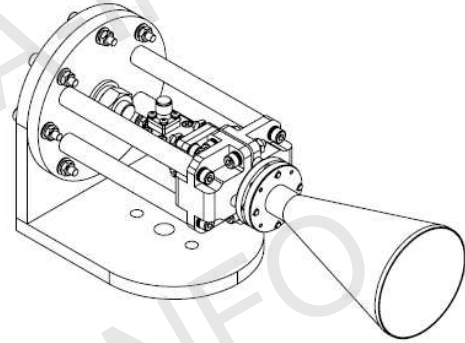
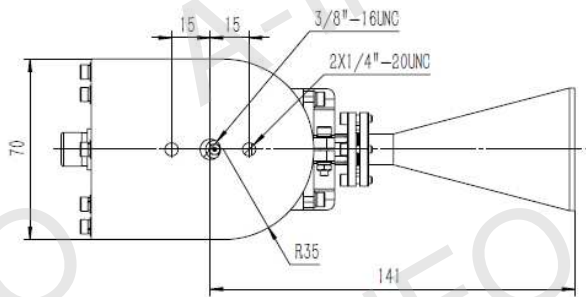


C Type (With 2.92mm-Female Output & Round Mounting Bracket)

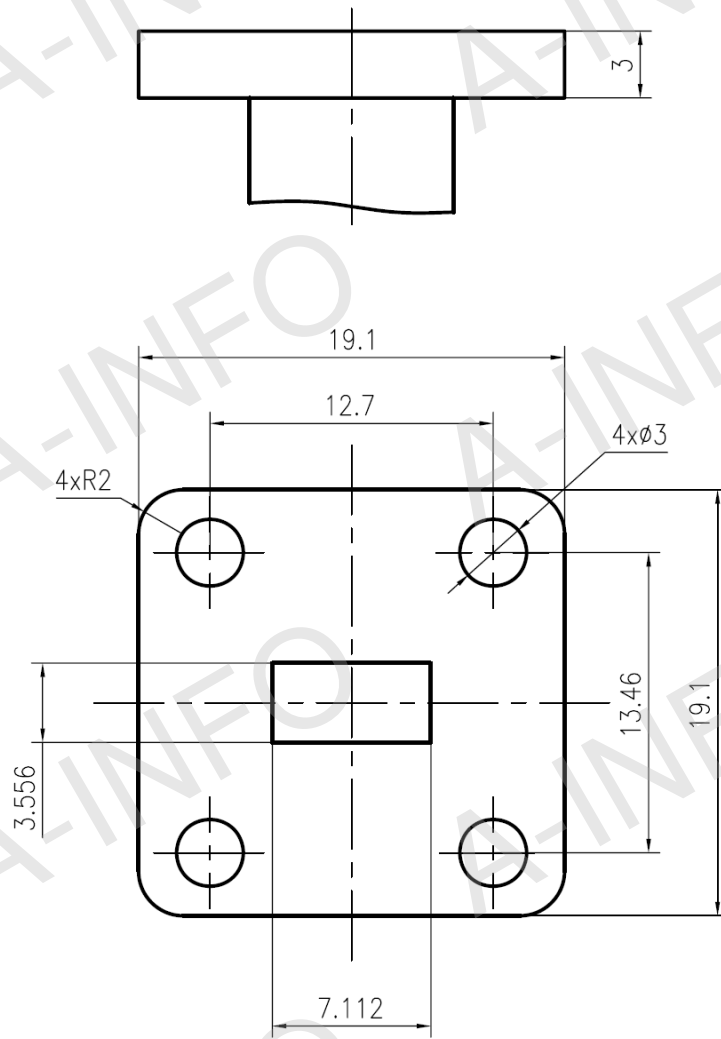
For 2.4mm-Female output outline drawing, please contact A-INFO.



C Type (With 2.92mm-Female Output & L Type Mounting Bracket)
For 2.4mm-Female output outline drawing, please contact A-INFO.



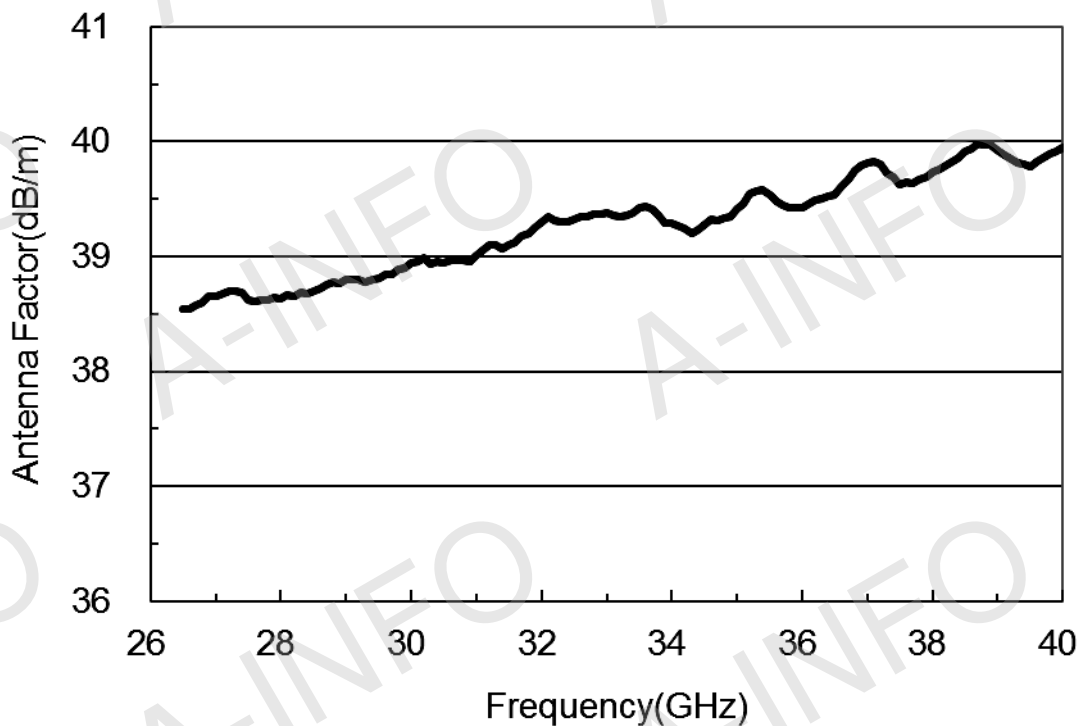
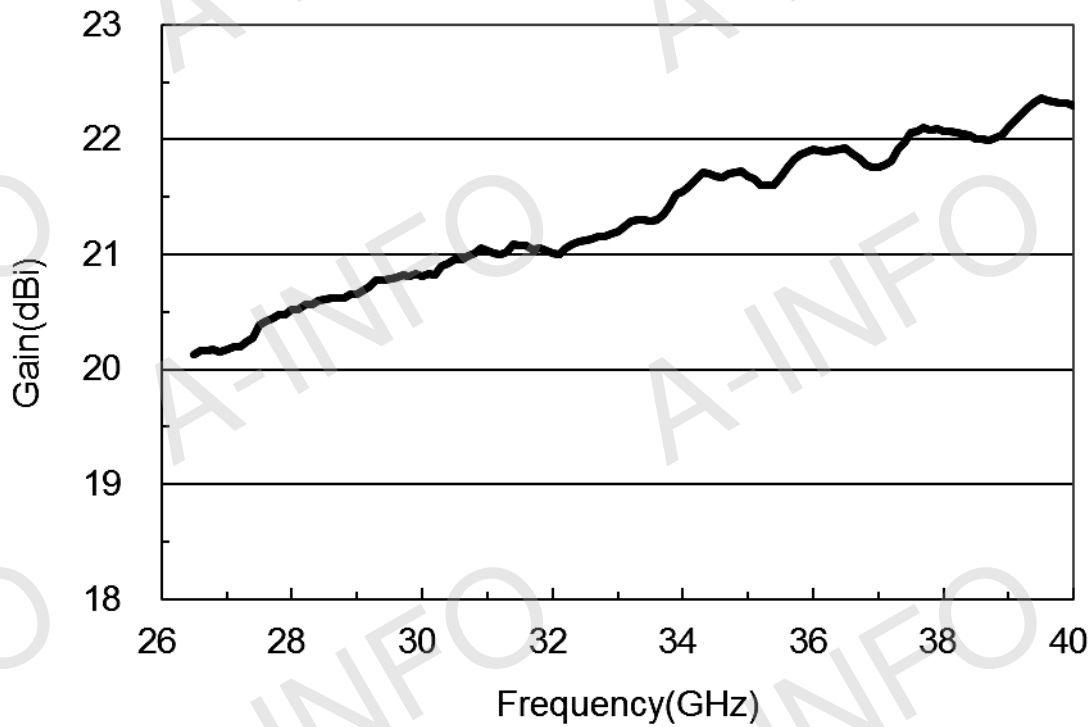
Flange Drawing (Size: mm)



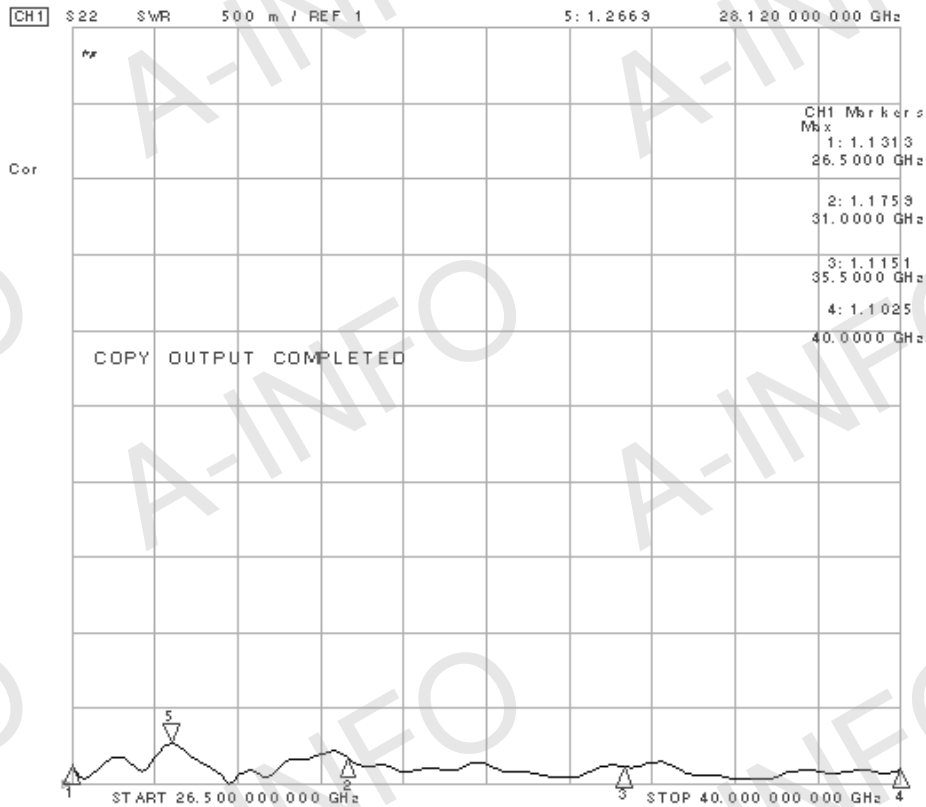
FBP320

Test Results

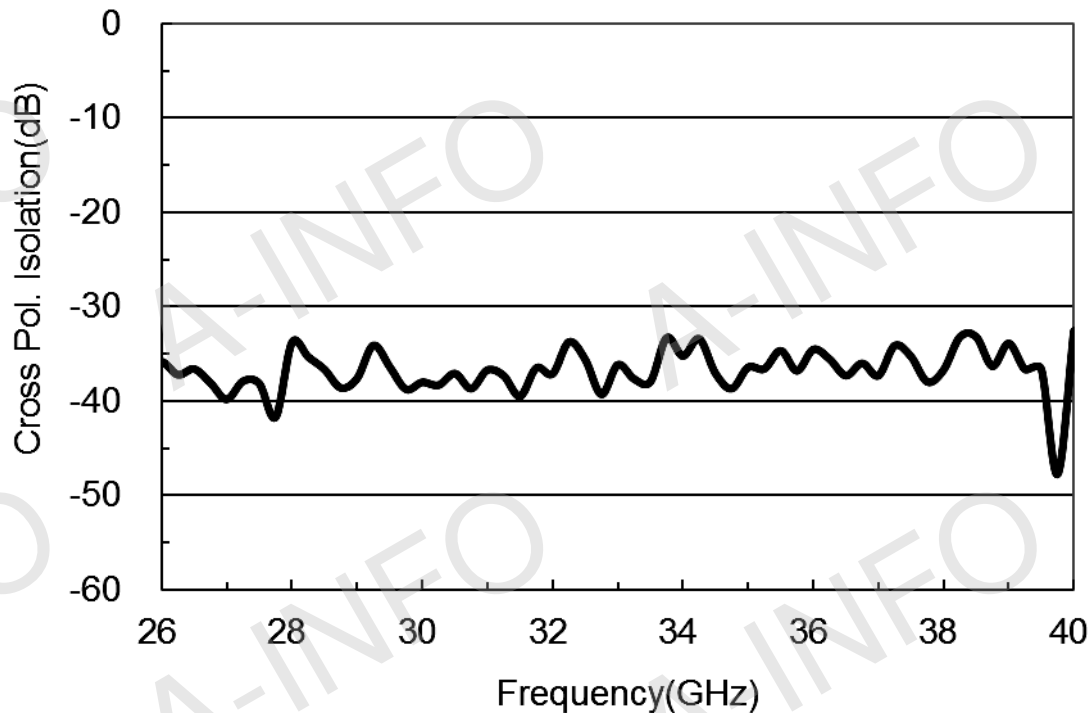
1. Gain and Antenna Factor



2. VSWR



3. Cross Polarization Isolation



4. Pattern

