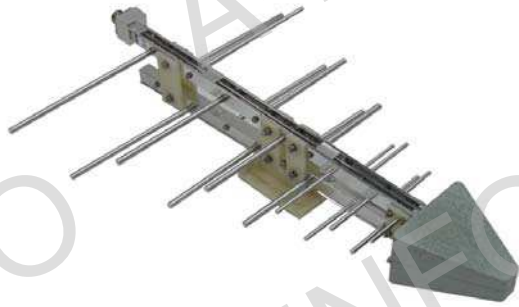
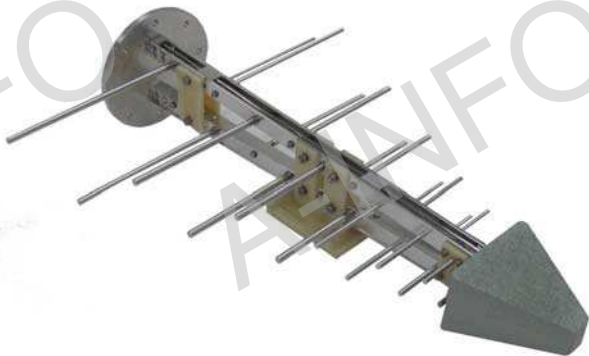


Technical Specification



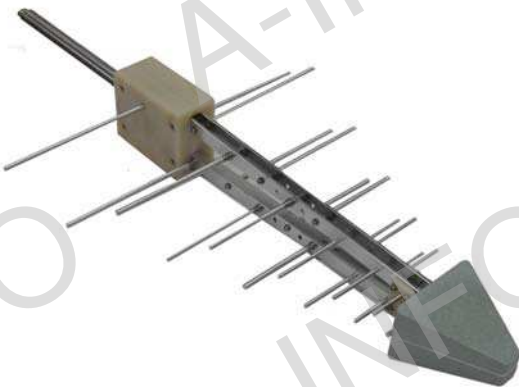
P/N: DS-50800

Frequency Range(GHz)	0.5-8.0
Gain(dB)	7 Typ.
Polarization	Linear
3dB Beamwidth(deg)	110-40
VSWR	2.0 Typ.
	3.0 Max
Output	N-Female
Size(mm)	355 x 494.8
Net Weight(Kg)	0.7 Around



P/N: DS-50800C

Frequency Range(GHz)	0.5-8.0
Gain(dB)	7 Typ.
Polarization	Linear
3dB Beamwidth(deg)	110-40
VSWR	2.0 Typ.
	3.0 Max
Output	N-Female
Size(mm)	355 x 487.1
Net Weight(Kg)	0.84 Around

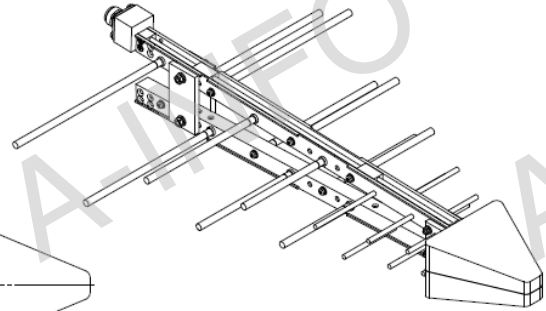
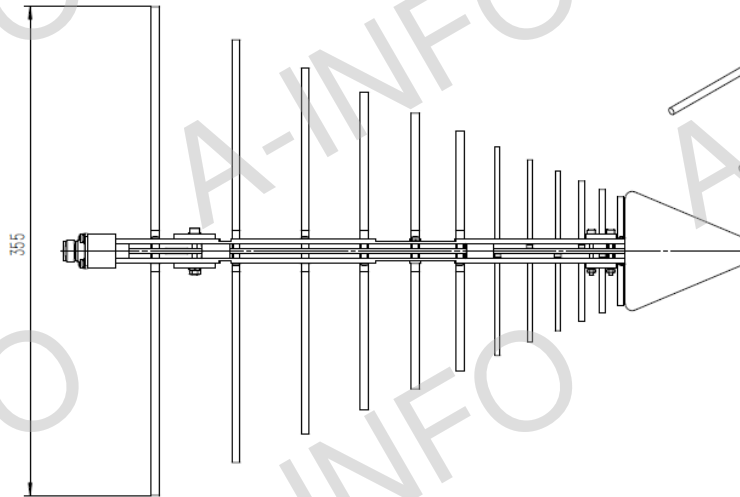
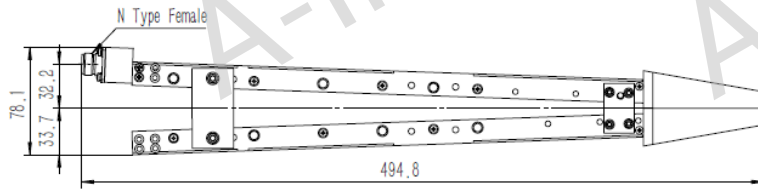


P/N: DS-50800E

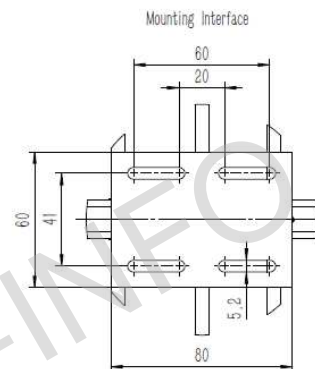
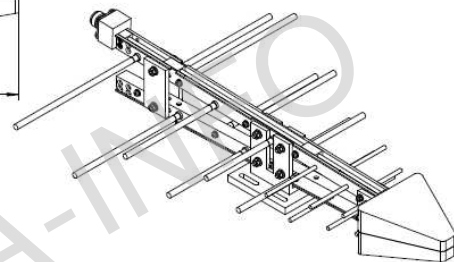
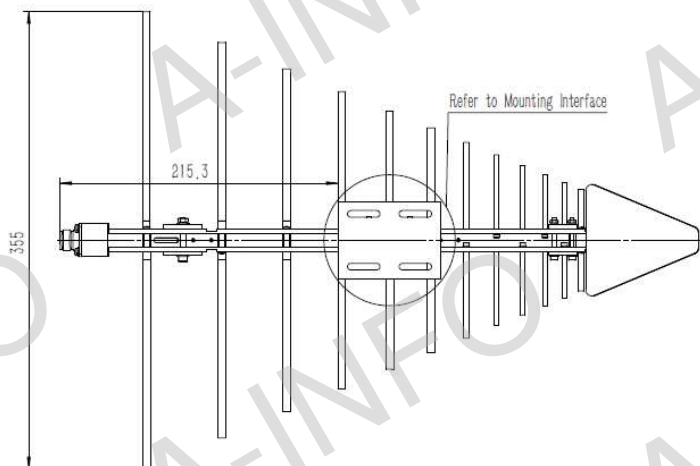
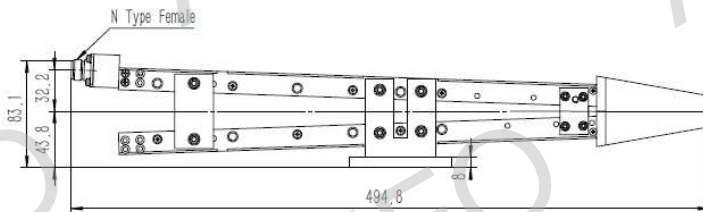
Frequency Range(GHz)	0.5-8.0
Gain(dB)	7 Typ.
Polarization	Linear
3dB Beamwidth(deg)	110-40
VSWR	2.0 Typ.
	3.0 Max
Output	N-Female
Size(mm)	355 x 688.5
Net Weight(Kg)	1.2 Around

Outline Drawing (Size: mm)

DS-50800



DS-50800 with Mounting Bracket



AINFO Inc.

Page 2 of 9

China(Beijing):
China(Chengdu):
USA :

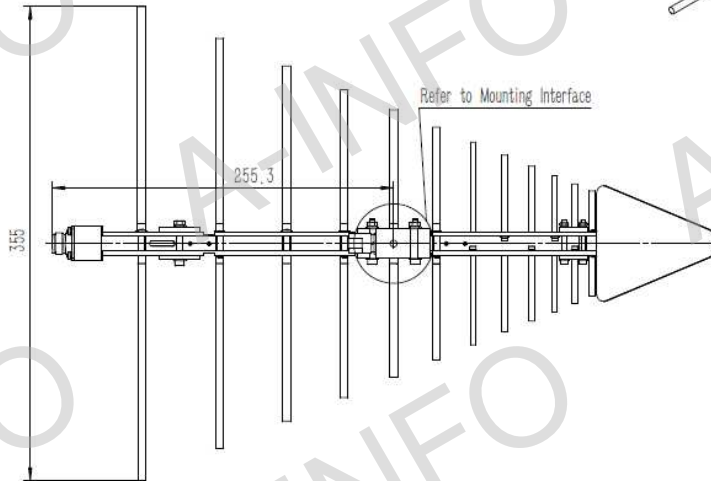
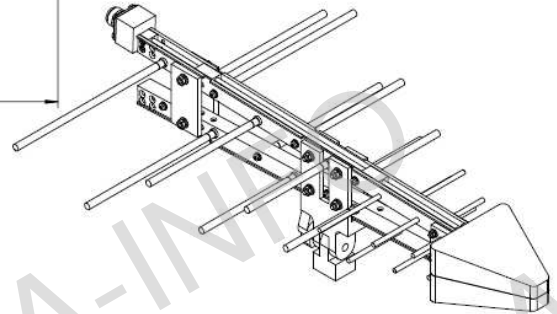
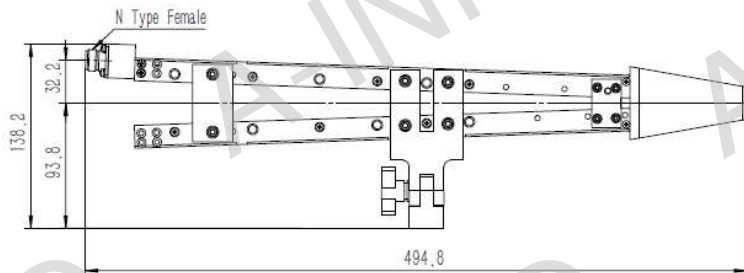
Tel: (+86) 10-6266-7326,
Tel: (+86) 28-8519-2786,
Tel: (+1) 949-639-9688,

(+86) 10-6266-7327
(+86) 28-8519-3044
(+1) 949-639-9608

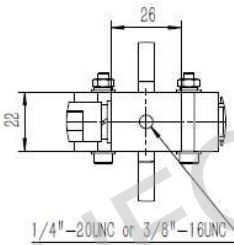
Fax: (+86) 10-6266-7379
Fax: (+86) 28-8519-3068
Fax: (+1) 949-639-9670

Website: www.ainfoinc.com
Email: sales@ainfoinc.com

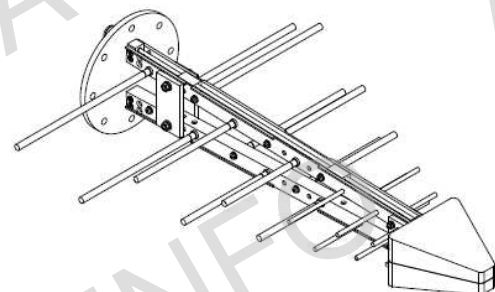
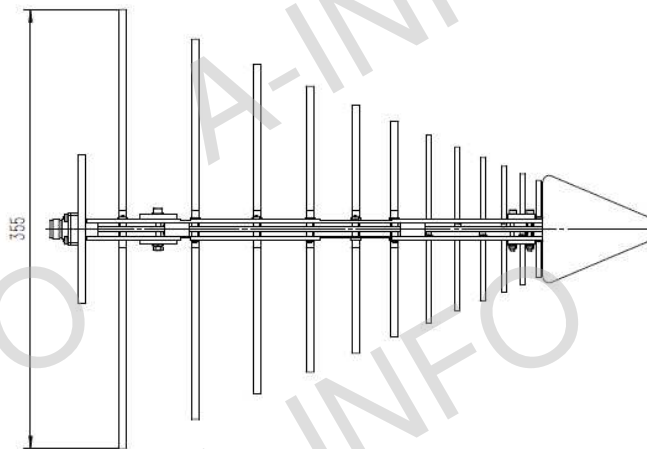
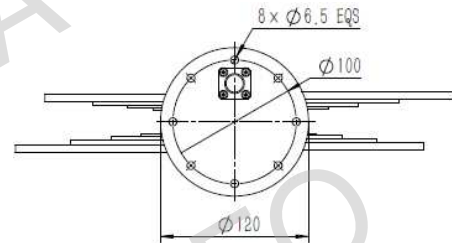
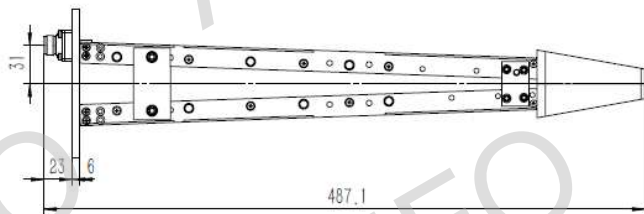
DS-50800 with Mounting Bracket for Tripod Application



Mounting Interface



DS-50600C



AINFO Inc.

Page 3 of 9

China(Beijing):
China(Chengdu):
USA :

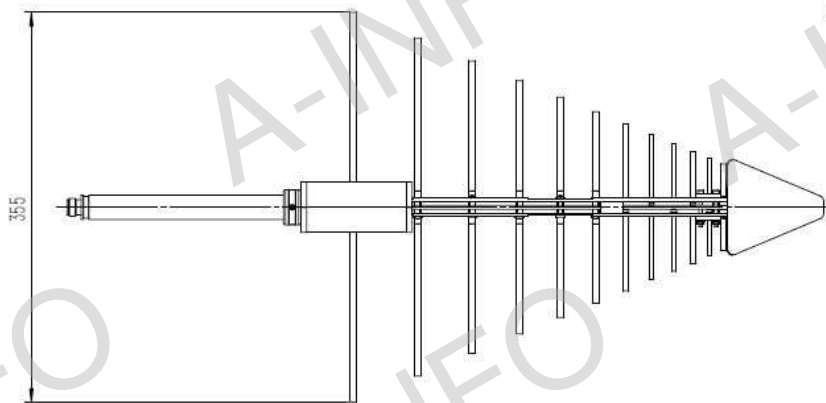
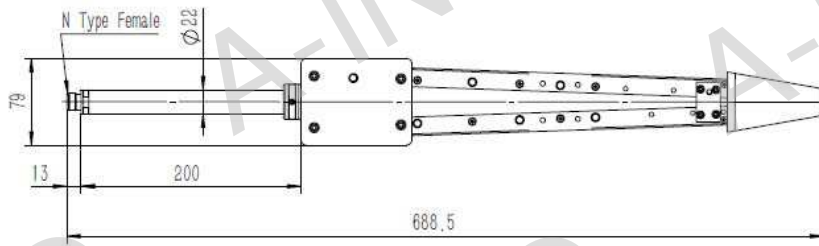
Tel: (+86) 10-6266-7326,
Tel: (+86) 28-8519-2786,
Tel: (+1) 949-639-9688,

(+86) 10-6266-7327
(+86) 28-8519-3044
(+1) 949-639-9608

Fax: (+86) 10-6266-7379
Fax: (+86) 28-8519-3068
Fax: (+1) 949-639-9670

Website: www.ainfoinc.com
Email: sales@ainfoinc.com

DS-50800E



AINFO Inc.

Page 4 of 9

China(Beijing):
China(Chengdu):
USA :

Tel: (+86) 10-6266-7326,
Tel: (+86) 28-8519-2786,
Tel: (+1) 949-639-9688,

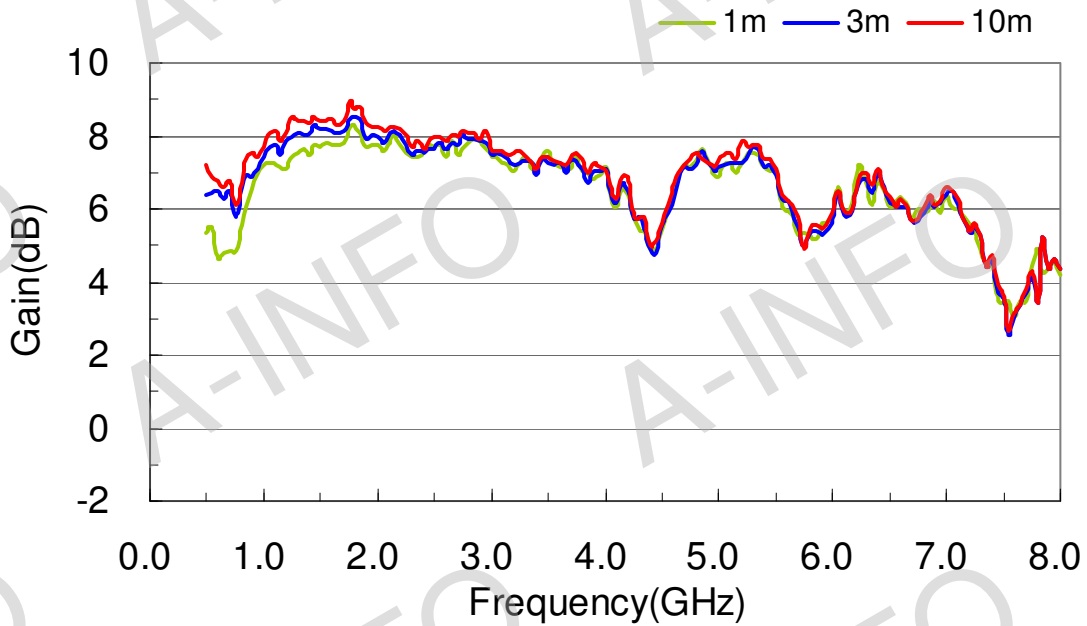
(+86) 10-6266-7327
(+86) 28-8519-3044
(+1) 949-639-9608

Fax: (+86) 10-6266-7379
Fax: (+86) 28-8519-3068
Fax: (+1) 949-639-9670

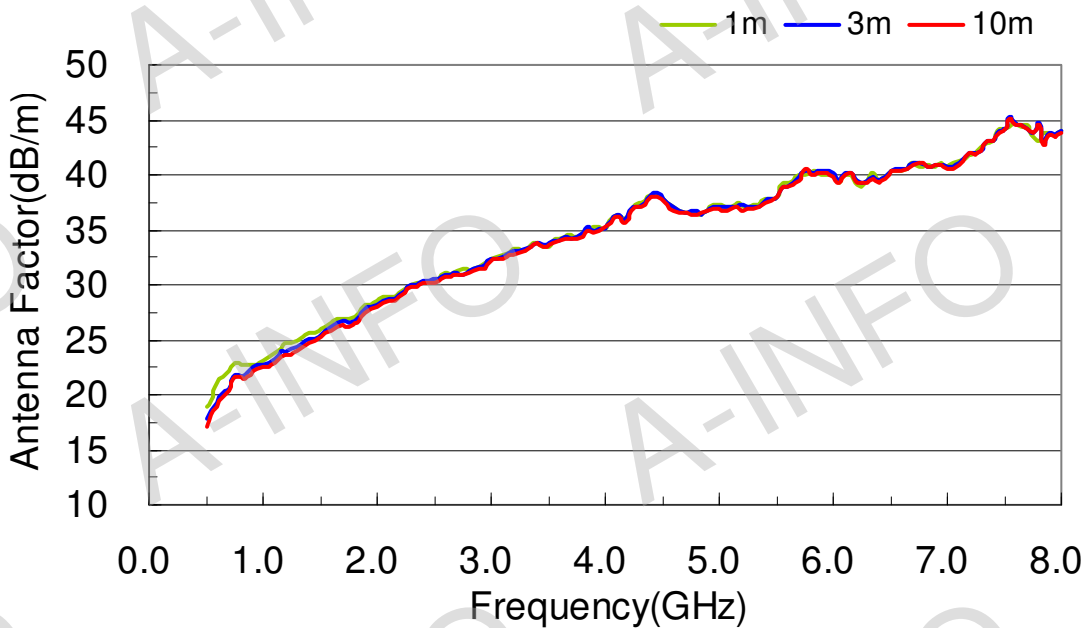
Website: www.ainfoinc.com
Email: sales@ainfoinc.com

Test Results

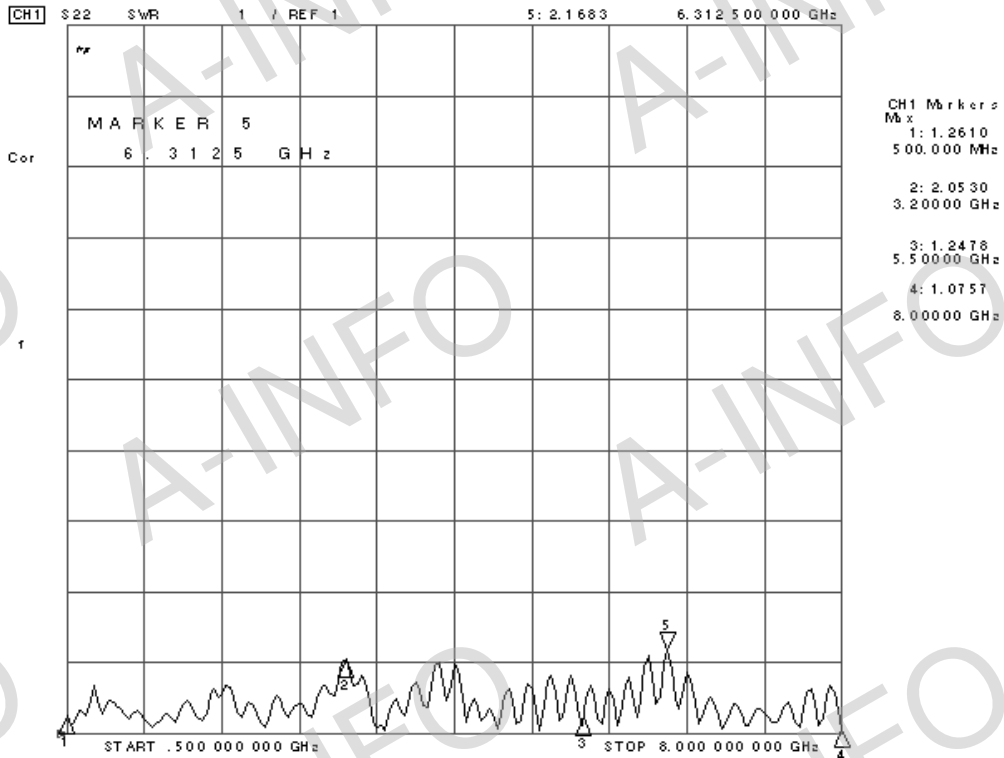
1. Gain



2. Antenna Factor



3. VSWR



4. Pattern

