

Technical Specification



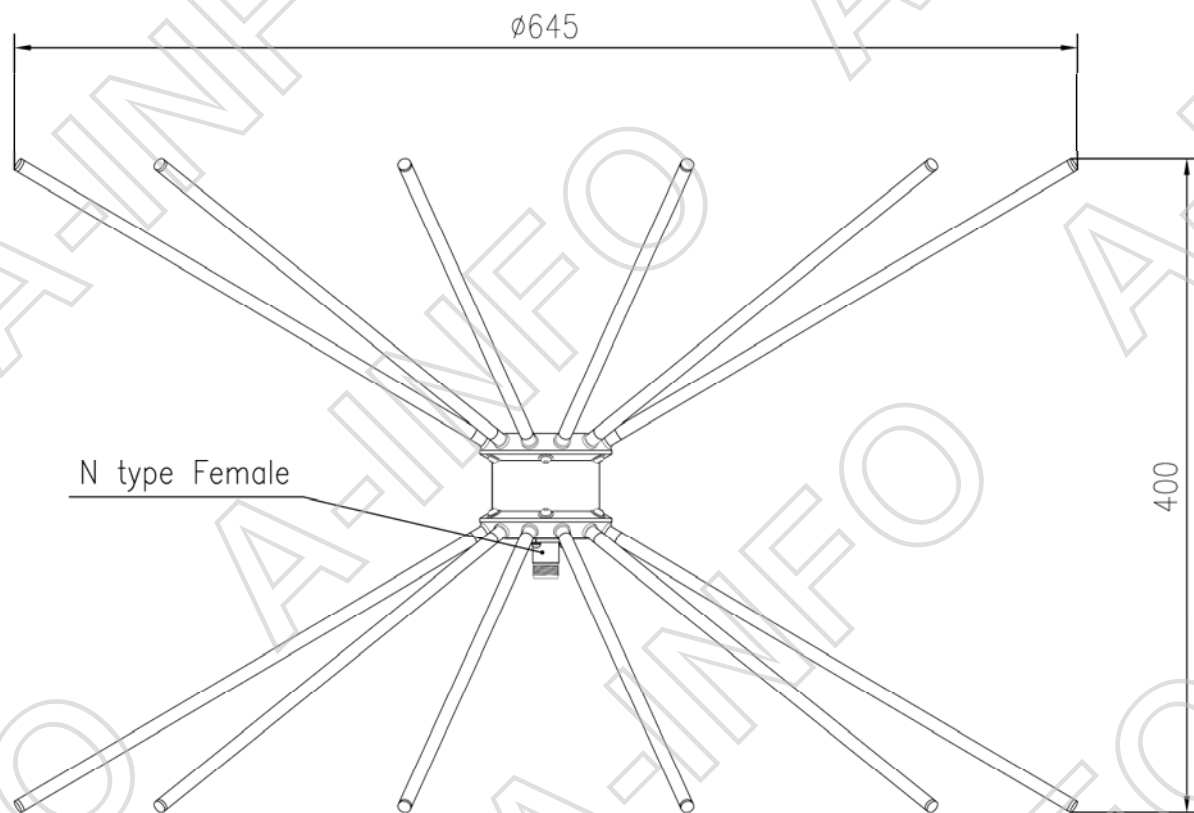
Frequency Range(GHz)	0.2-3.0
Polarization	Vertical
Gain(dB)	4 Typ.
VSWR	3:1 Max
Power (W)	100 CW
Connector	N -Female
Size(mm)	(Φ)645 x (H)400 approx. (Not Including Mounting Kit)
	(H)1355 approx. (Including Mounting Kit)
Net Weight(Kg)	2.0 Around (Not Including Mounting Kit)
	3.5 Around (Including Mounting Kit)

Feed Source

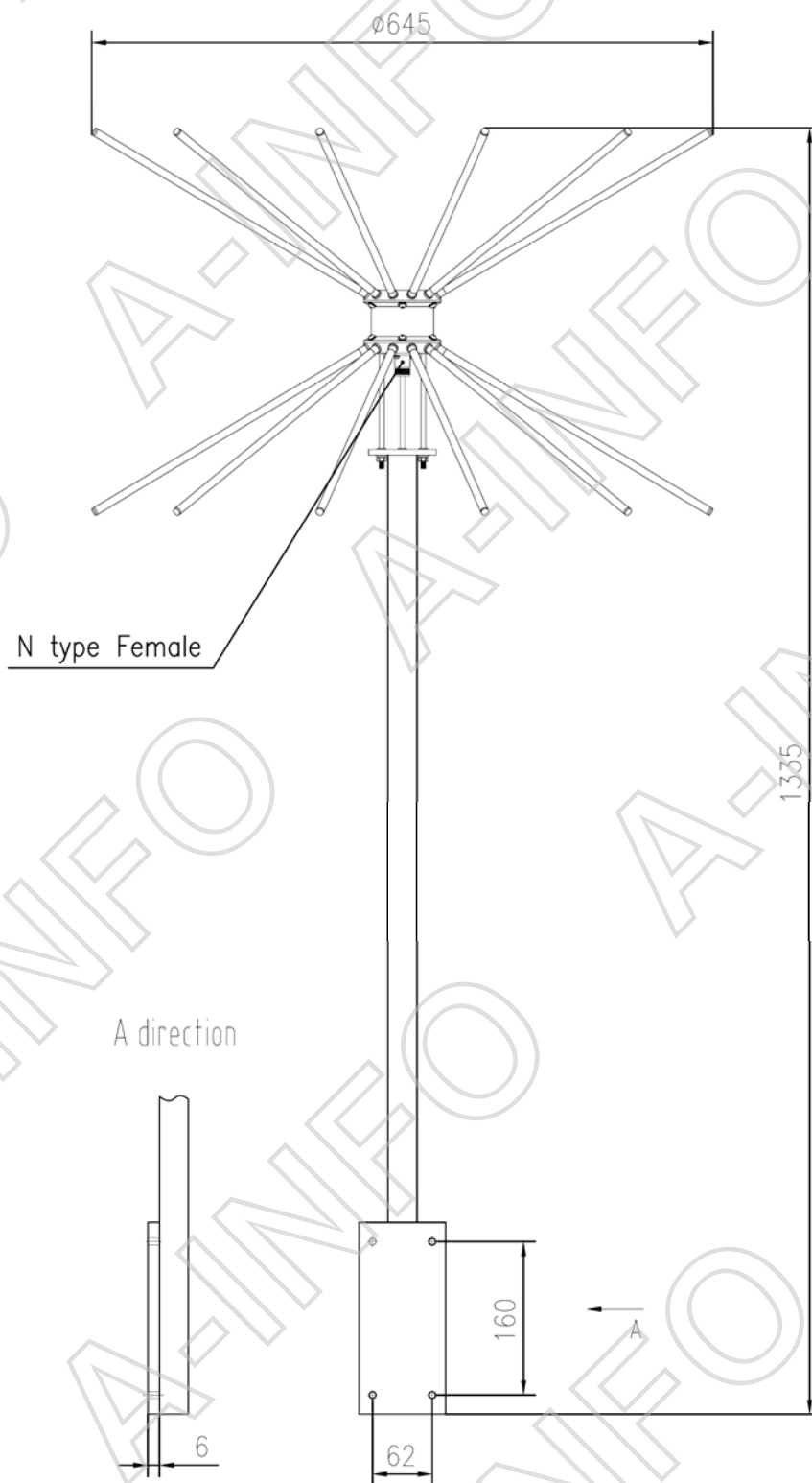
Finished Picture
(Including Mounting Kit)

Outline Drawing (Size: mm)

Not Including Mounting Bracket

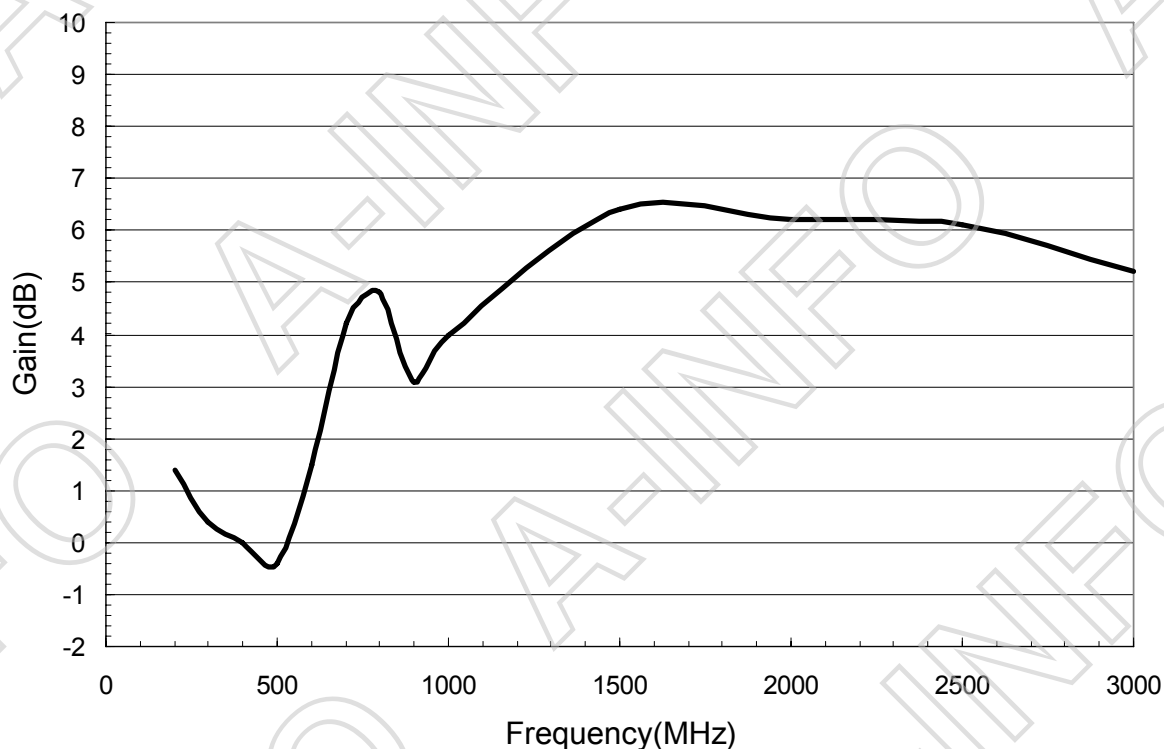


Including Mounting Kit

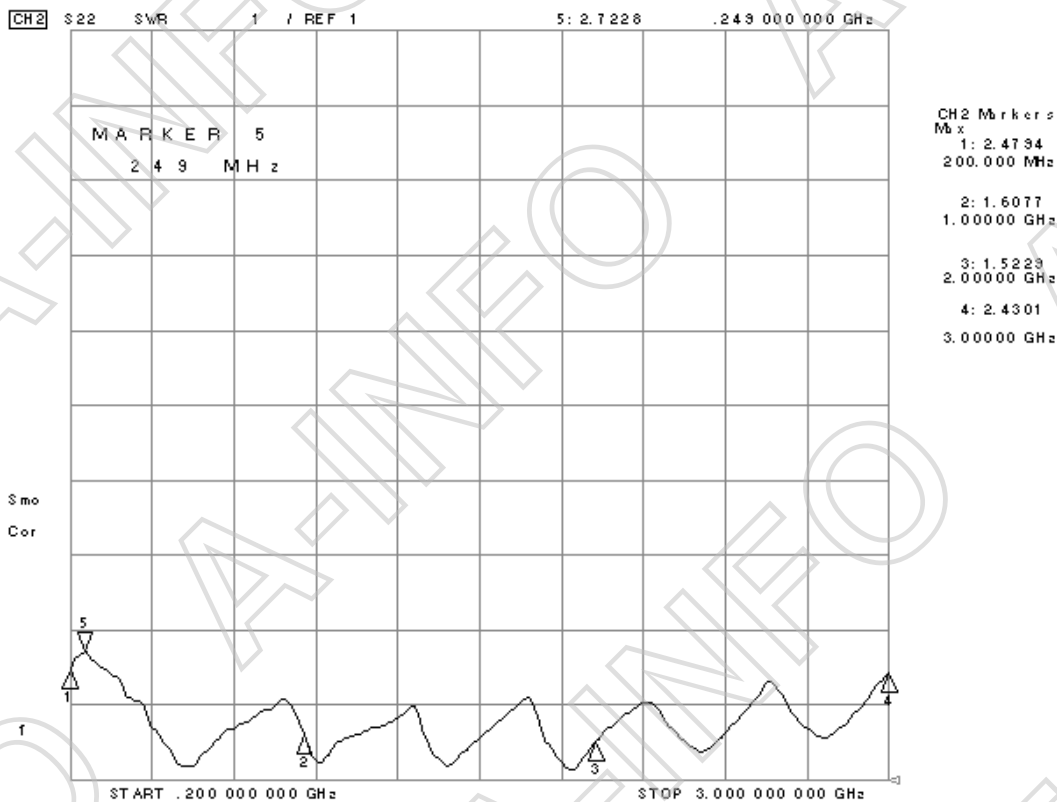


Test Results

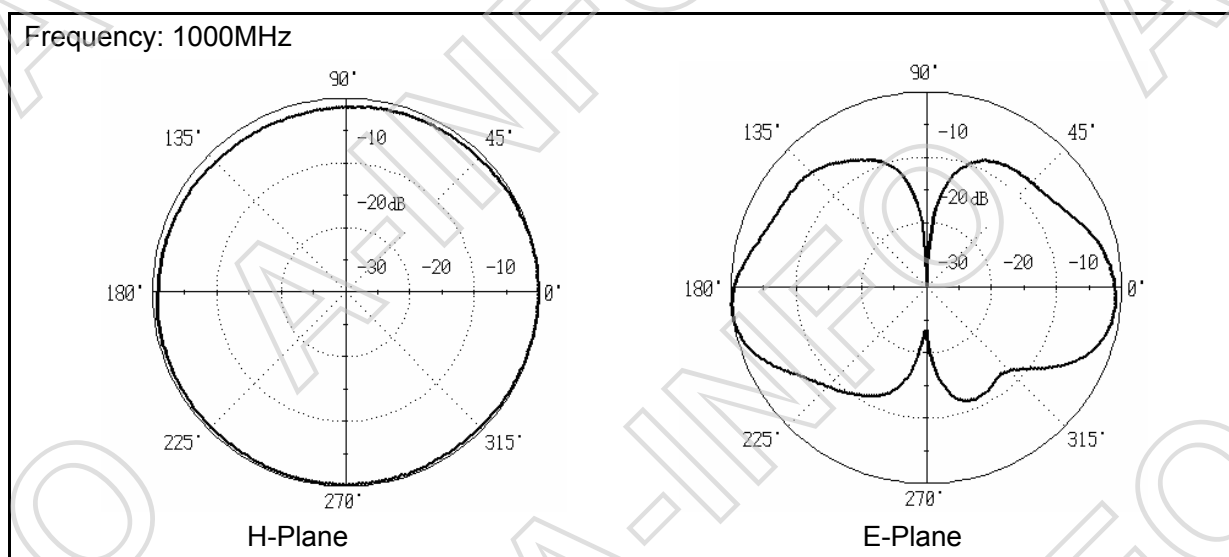
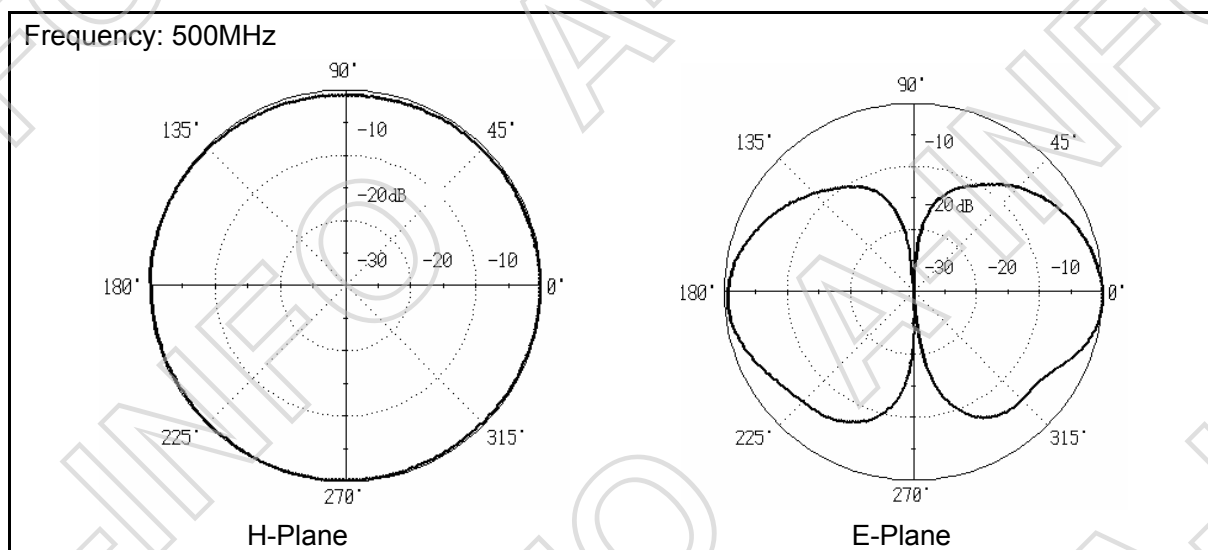
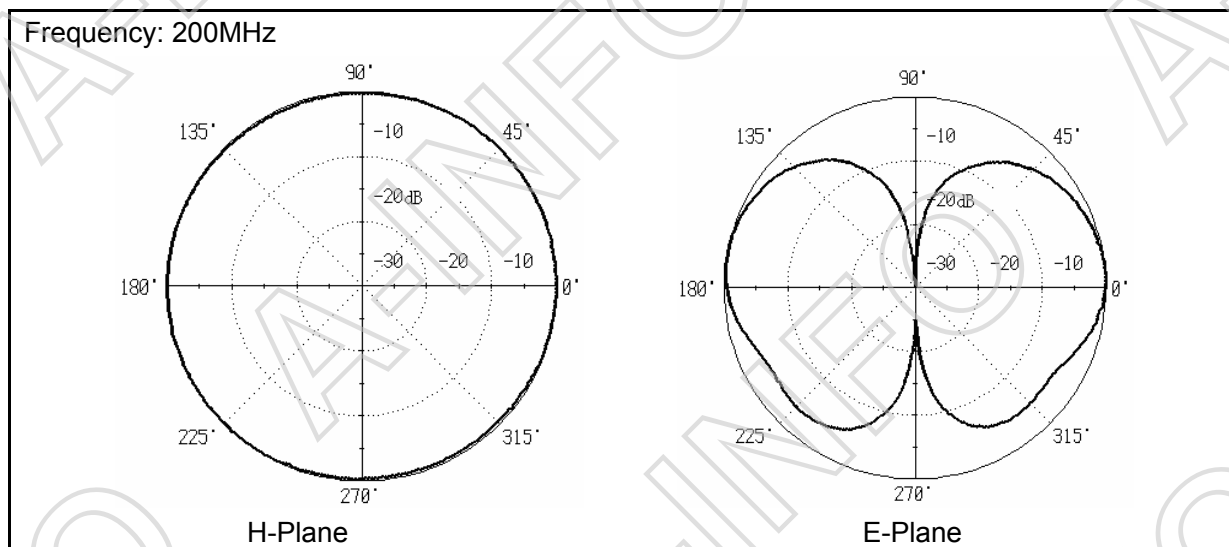
1. Gain

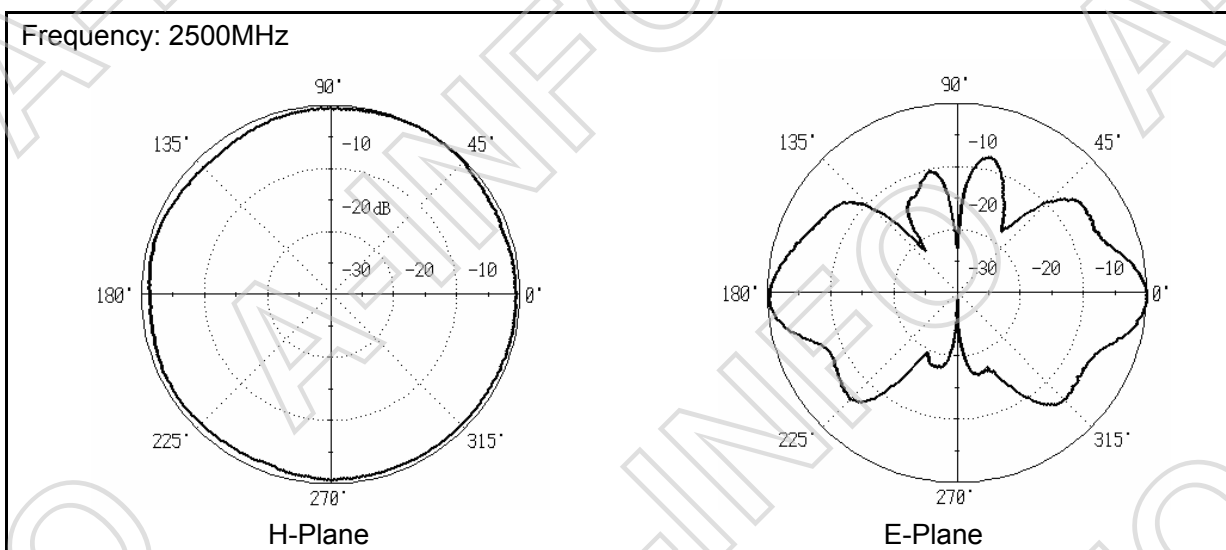
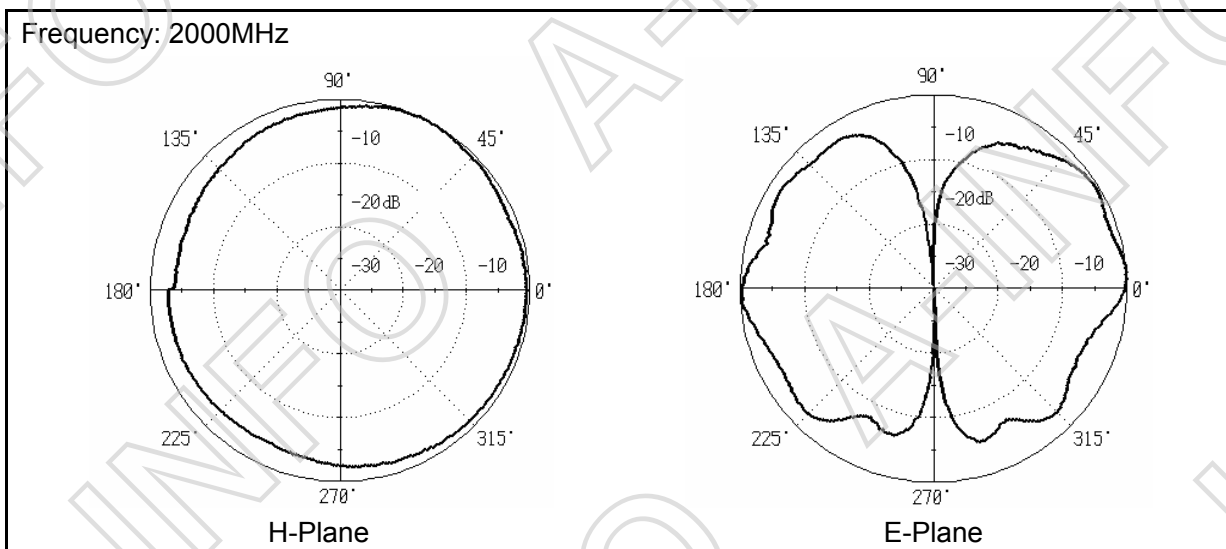
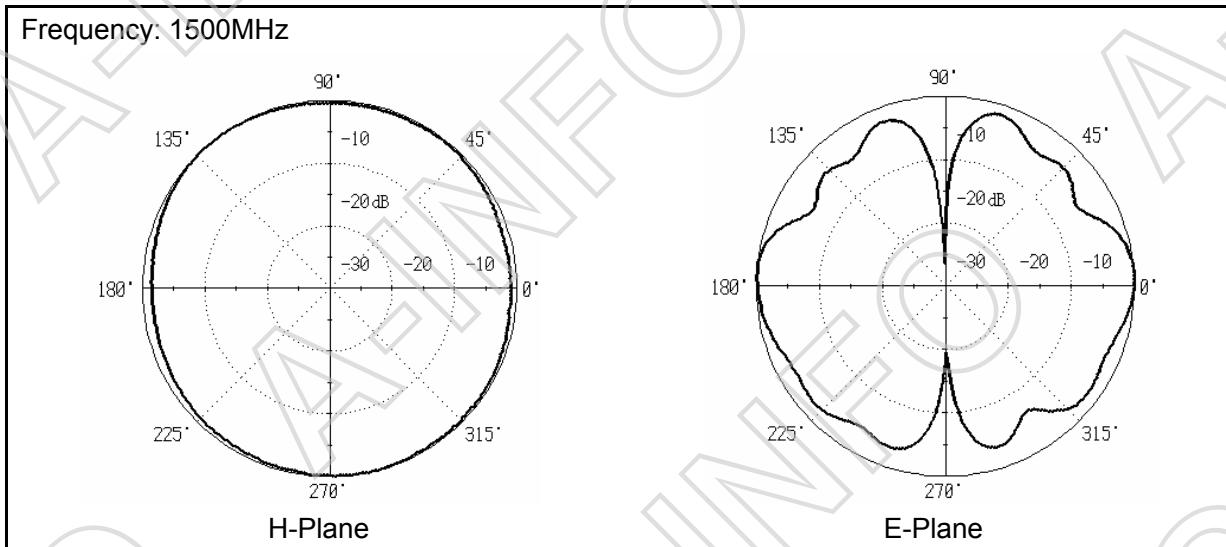


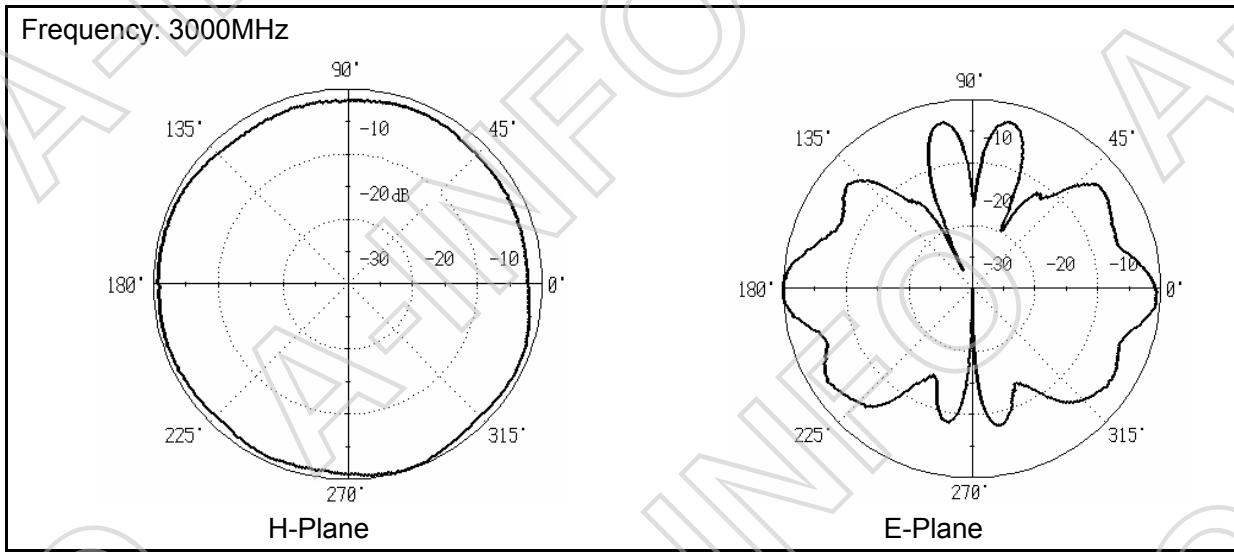
2. VSWR



3. Pattern



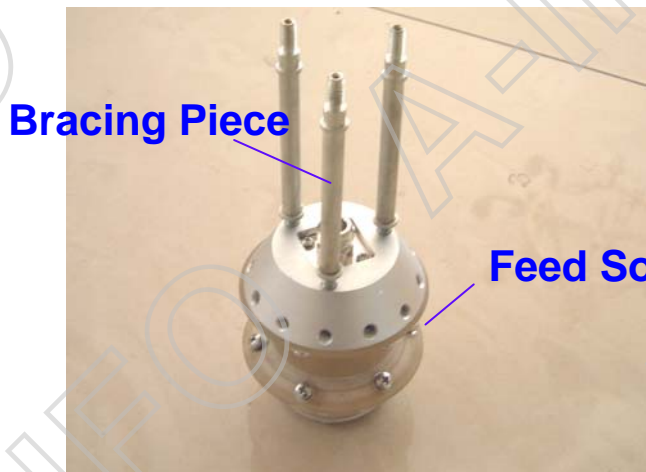




0.2 - 3.0GHz Bi-Conical Antenna
SZ-20300
Installation Manual

A. Parts of the antenna

1. **Feed Source Part (Feed Source and Bracing Piece), Cone Pole.** See the following Picture
Cone Pole : L=35.5cm



2. **Antenna Mounting Kit (with clamp).** See the following picture:
Antenna Mounting Kit: L=100cm



Antenna Mounting Kit

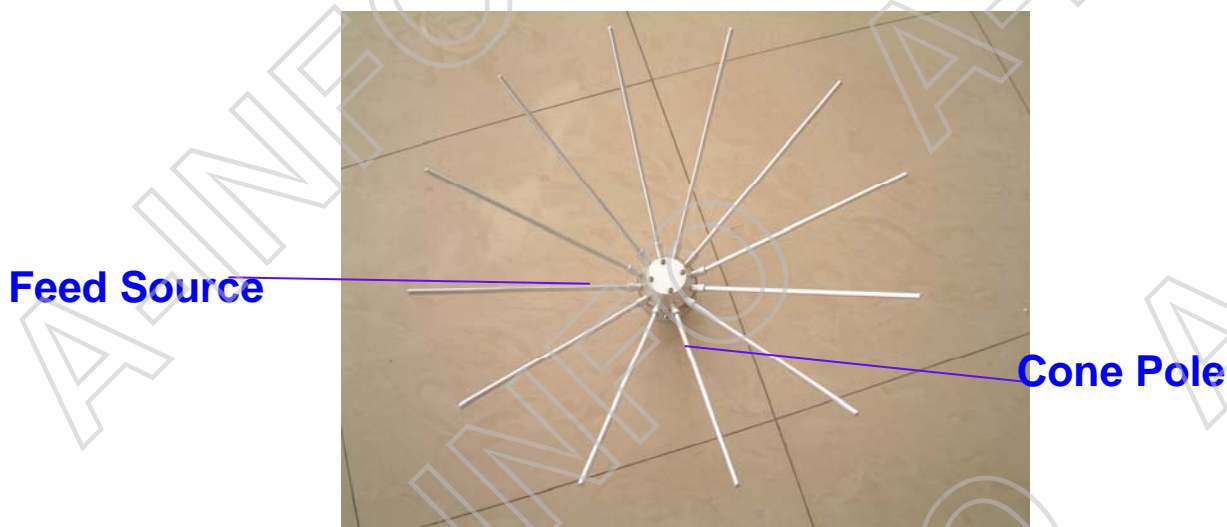
Clamp

B. Mounting Method

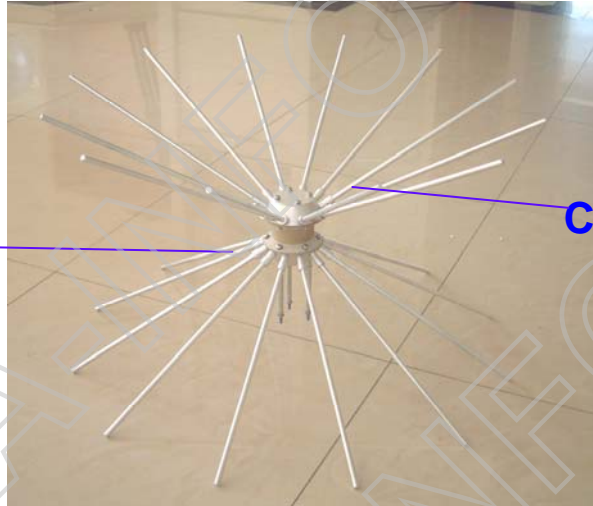
1. Fixing the **Antenna Mounting Kit (with clamp)** on the place where you would like to install the antenna. See the following picture.



2. Fixing the **Cone Pole** to the **Feed Source** (Notes: For better fix, you must keep the **Upper Cone Pole** to be 30 degree with the level. **If you feel hard to fix, you can adjust the angle, pls. do not fix forcibly.**). Please see the following picture.



Feed Source



Cone Pole

C. Finishing Picture

