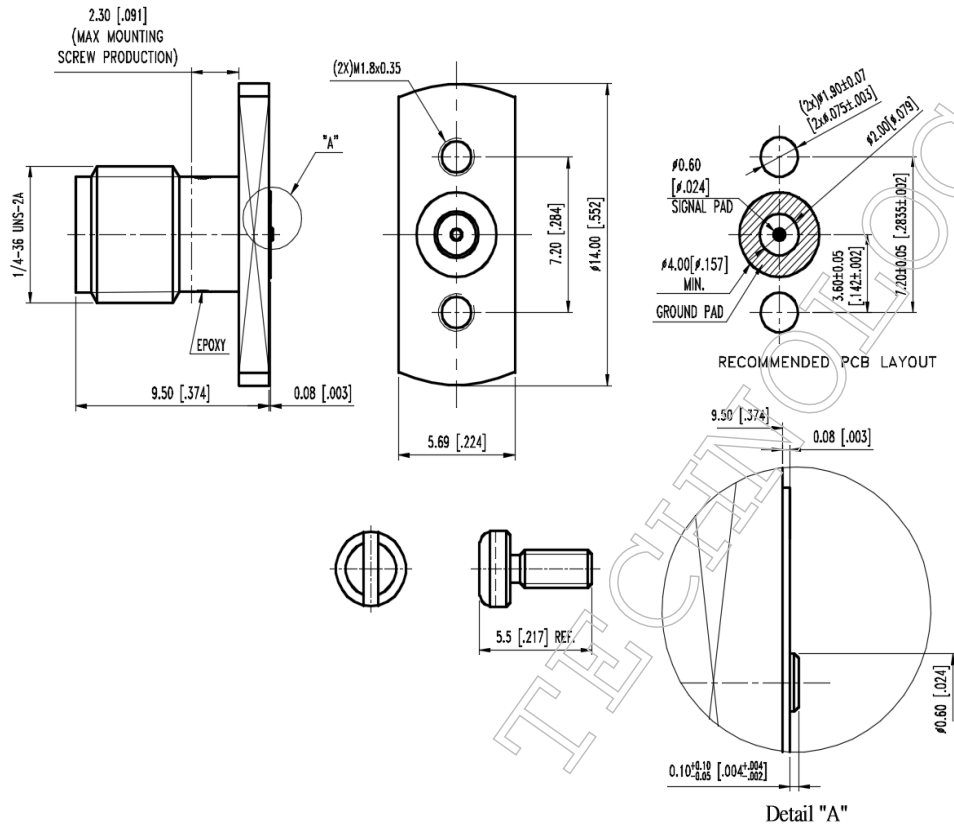


▪ **Outline Dimension Drawing**

Dimensions: mm[inch]



▪ **Material Specification**

Description	Material	Plating
Body	Stainless Steel	Passivate
Pin	BeCu	Gold
Pin	Brass	Gold
Dielectirc	PTFE	
Washer	Brass	Gold
Spring	Music Wire	Gold
BOLT	Stainless Steel	

In the effort to improve our products, we reserve the right to make changes judged to be necessary



▪ **Electrical Specification**

Description			Description		
Impedance	50	Ω	Insulation Resistance	5000	MΩ Min.
Frequency	18	GHz	Inner Contact Resistance	6	mΩ Max.
VSWR	1.25	Max.	Outer Contact Resistance	2	mΩ Max.
Insertion Loss	0.25	dB Max.	Voltage Rating	335	Vrms Max.
Dielectric Withstanding Voltage	750	Vrms Max.			

▪ **Mechanical Specification**

Description			Description		
Center Contact			Recommended Torque	7~9	in. lbs
Axial Force-Mating End	6	lbs.	Coupling Nut Retention	N/A	in. lbs
Axial Force-Opposite End	6	lbs.			
Connector Durability	500	cycles			
Weight	N/A	g			

▪ **Environmental Specification**

Description		
Temperature Min.	-65	°C
Temperature Max.	125	°C
Hermetic Seal	N/A	

In the effort to improve our products, we reserve the right to make changes judged to be necessary