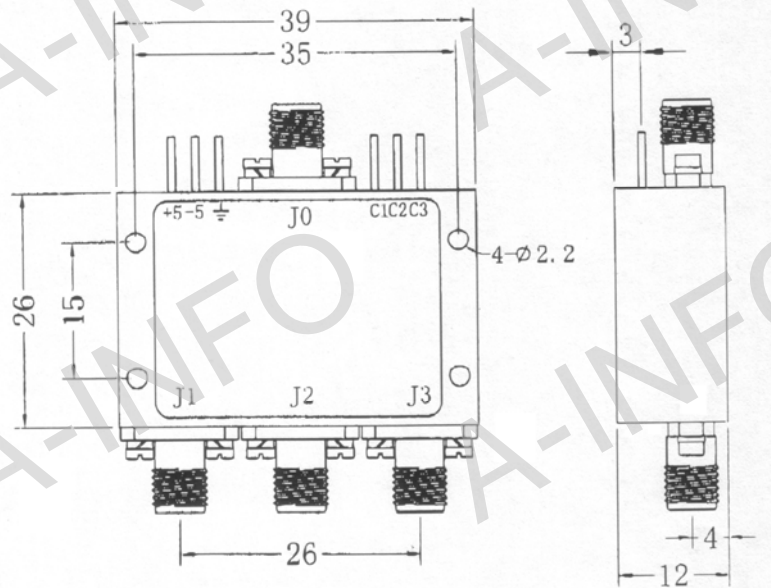


Outline Drawing (Size: mm)



Technical Specification

Item	Technical Specification
Frequency Range(MHz)	10-500
Insertion Loss(dB)	1.6max
VSWR	1.4 max
Isolation(dB)	80 min
Switching Speed(ms)	0.5
Connector	SMA-Female(Removable)
Operating Temperature(°C)	-40 ~ +70
Storage Temperature (°C)	-55 - +85
Net Weight(Kg)	0.065 Around

Test Results

Port	Frequency Range (MHz)	Insertion Loss (dB)	VSWR	Isolation (dB)
J0~J1	10-500	0.88	1.26	91
J0~J2	10-500	0.79	1.25	85
J0~J3	10-500	0.86	1.25	90