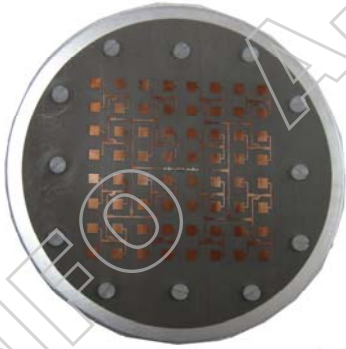
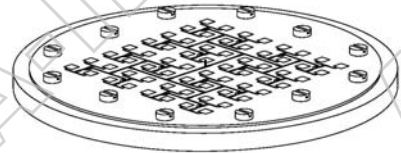
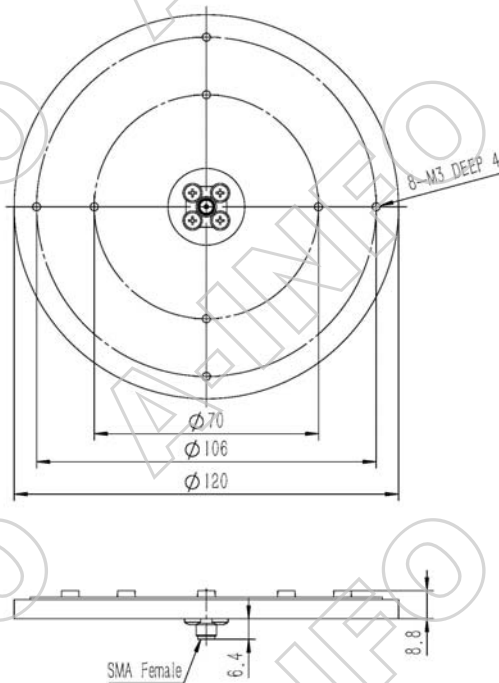


Technical Specification



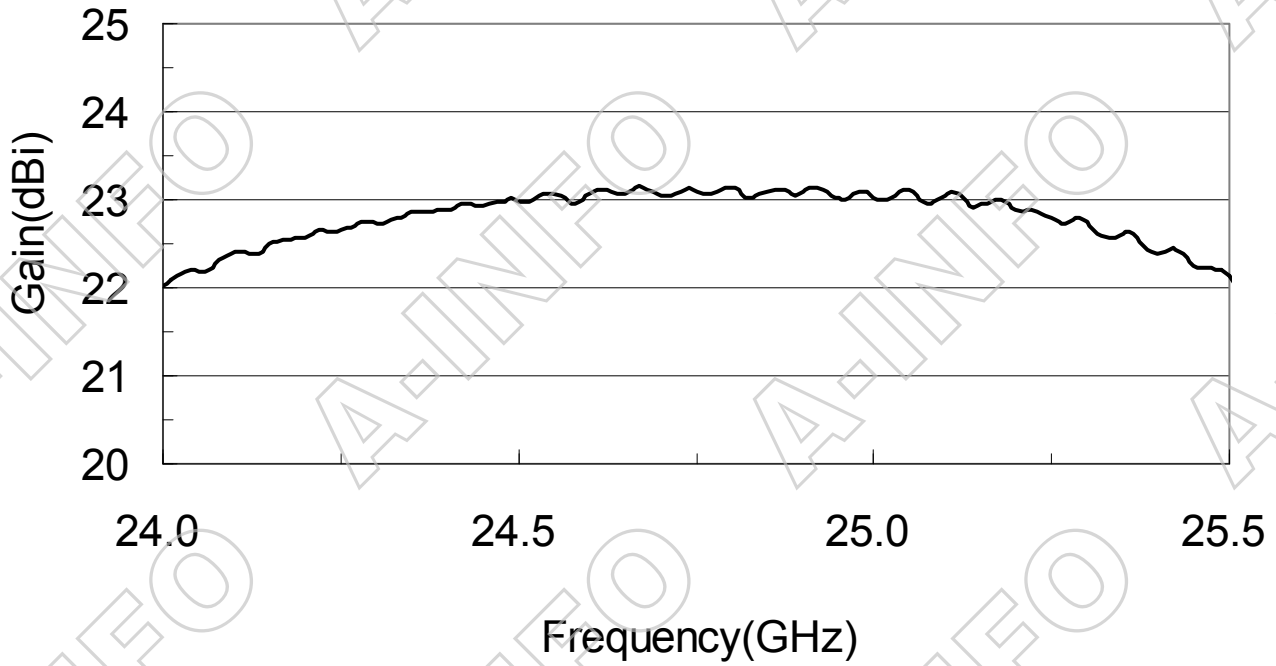
Frequency Range(GHz)	24.0-25.5
VSWR	1.5 Typ. , 2.5 Max
Gain(dB)	22.5 Typ.
3dB Beamwidth(deg)	9.0 Typ.
Connector	SMA-Female
Size(mm)	Φ120 x 8.8 (Connector is not included.)
Net Weight(Kg)	0.2

Outline Drawing (Size: mm)

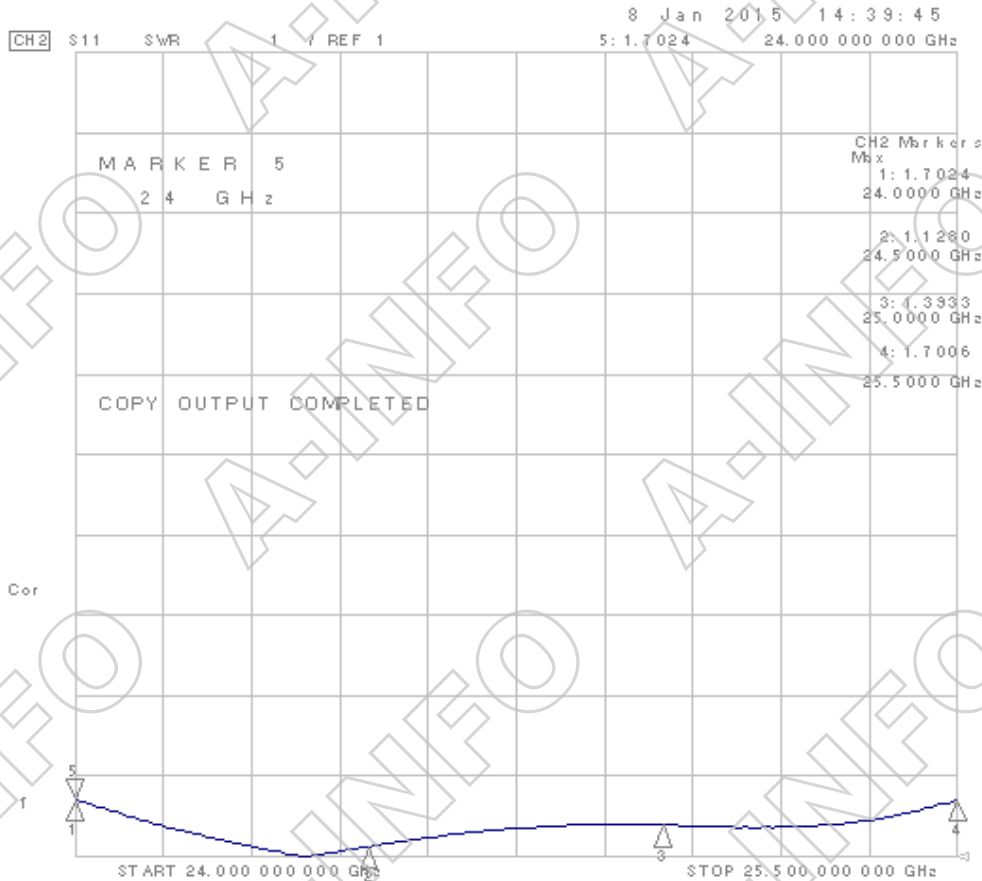


Test Results

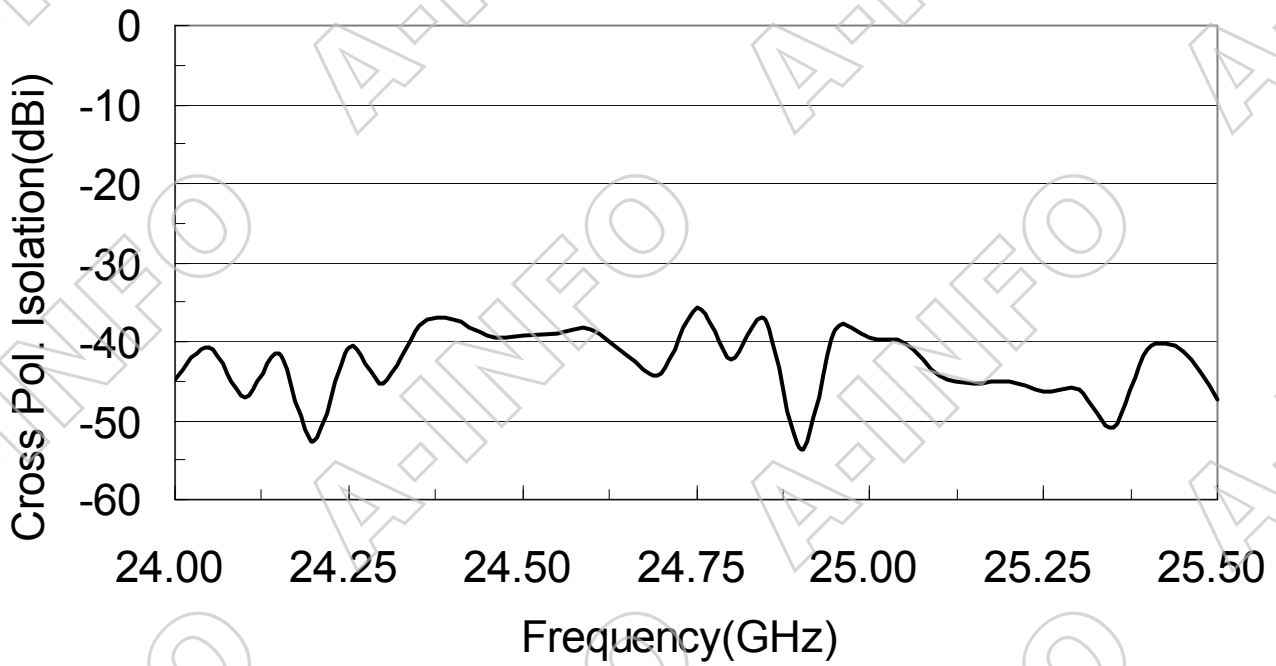
1. Gain



2. VSWR



3. Cross Pol. Isolation



4. Pattern

