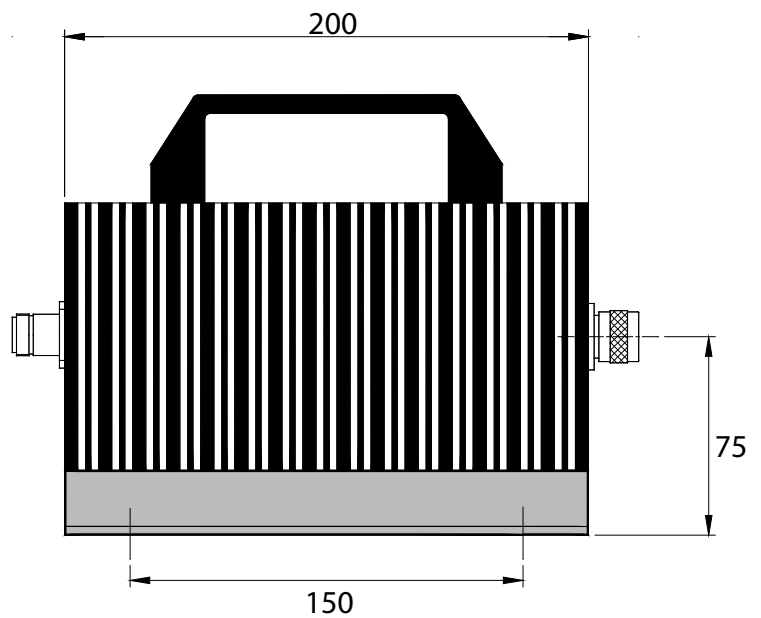
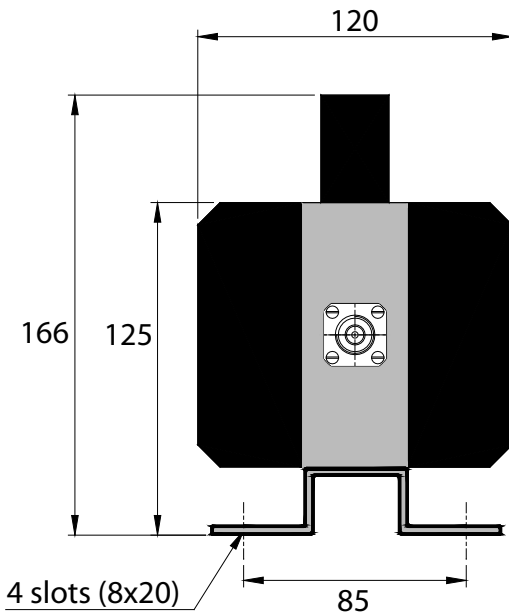
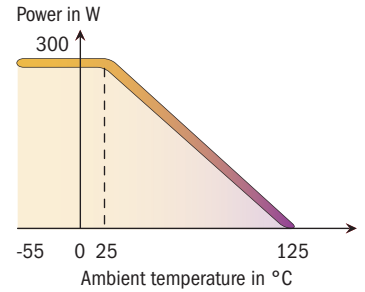




Standards
NF C 96-315
MIL-DTL-3933



Impedance	50 Ω ± 5%
Frequency	DC - 2.5 GHz
Max VSWR	≤ 1.10 à 1 GHz, ≤ 1.30 à 2.5 GHz
Temperature range	-55 to +125°C
Average power @ 25°C	300 W
Weight	3.5 kg



Dimensions in mm

Attenuation (dB)	P/N (N m/f)	Accuracy ±Δα (dB)
10	16-6757	1*

Option	Pulse applications 5kV peak
---------------	-----------------------------

* At 1 GHz
Model available with 7-16 connector
Others attenuations on request