

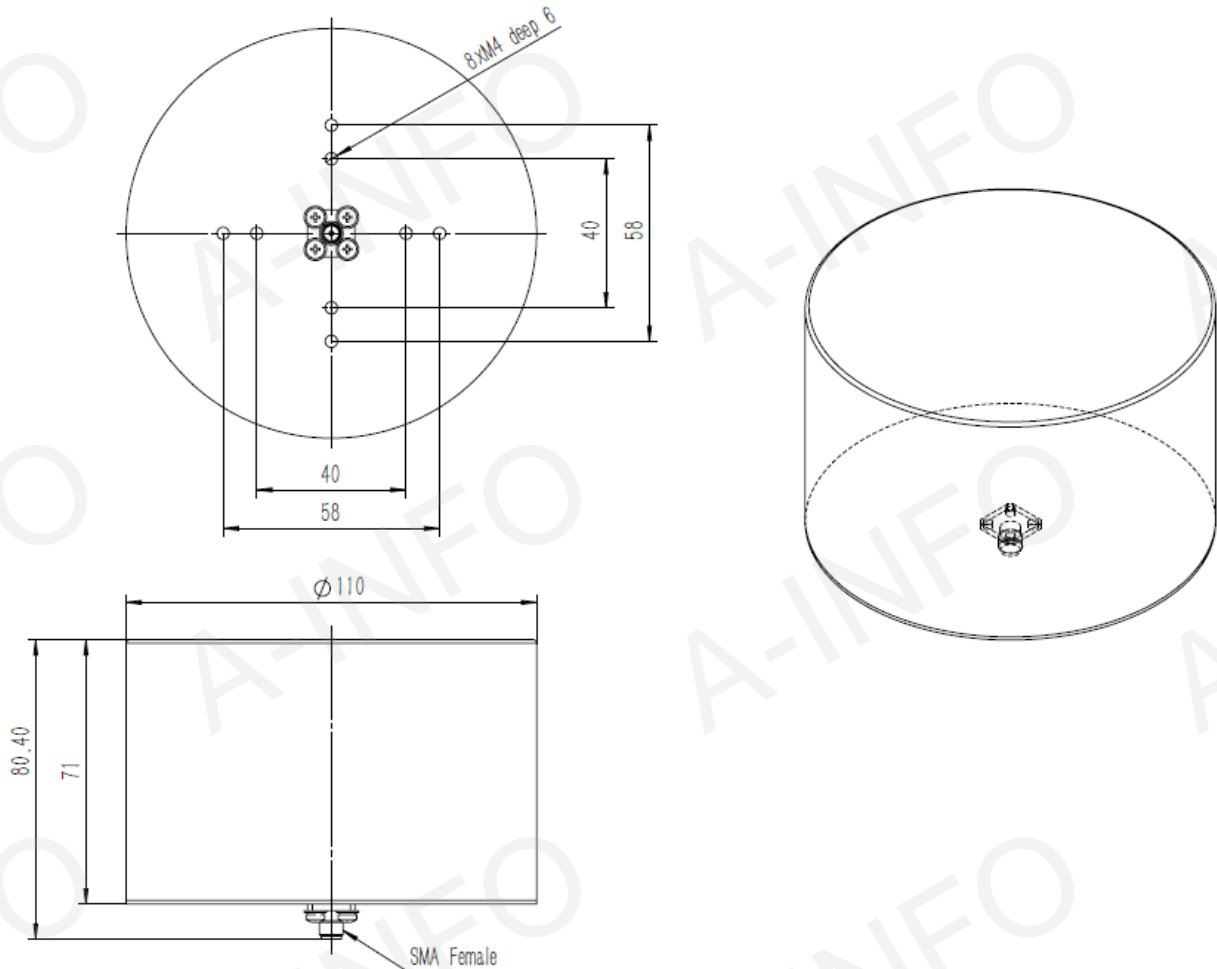
## Technical Specification



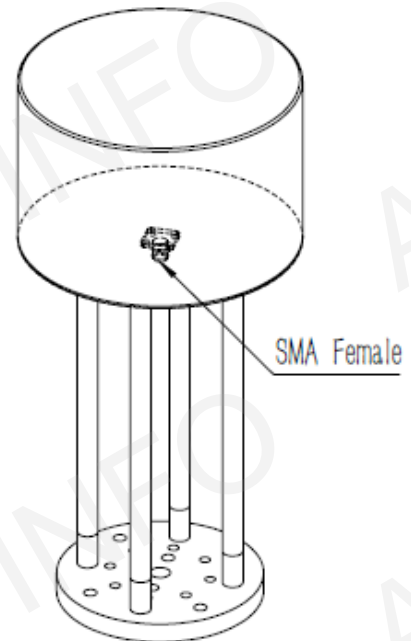
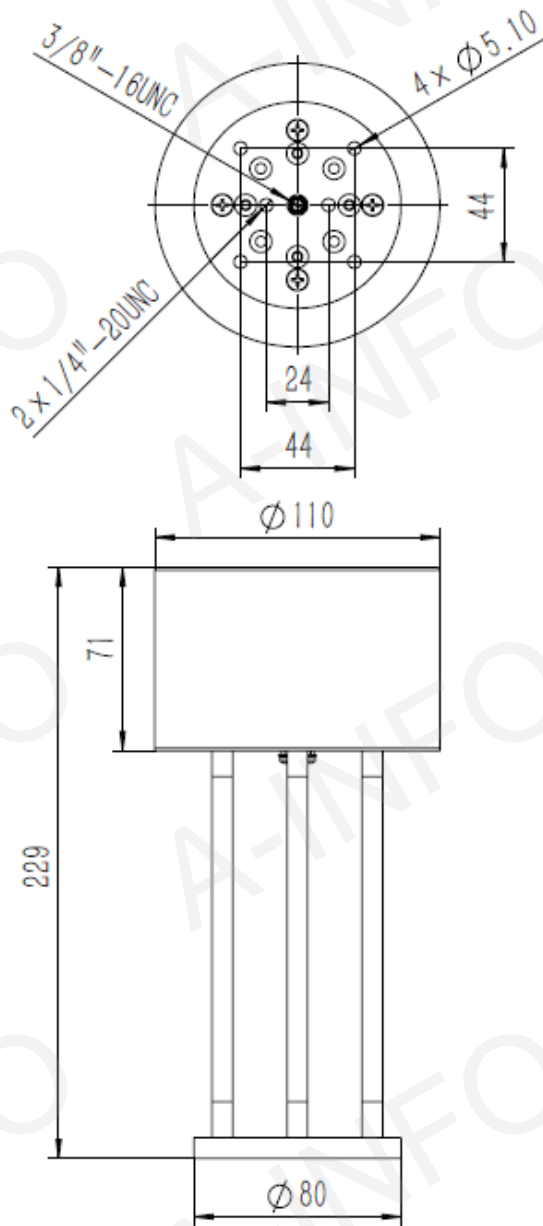
Frequency Range(GHz)	1.0 - 12.0
Gain(dB)	0 Typ.
Polarization	Linear
VSWR	2.0:1 Typ.
Power(W)	80 CW
Connector	SMA-Female
Size(mm) $\Phi$ x H	110 x 71
Net Weight(Kg)	0.5 Around

## Outline Drawing (Size: mm)

SMA Female Output

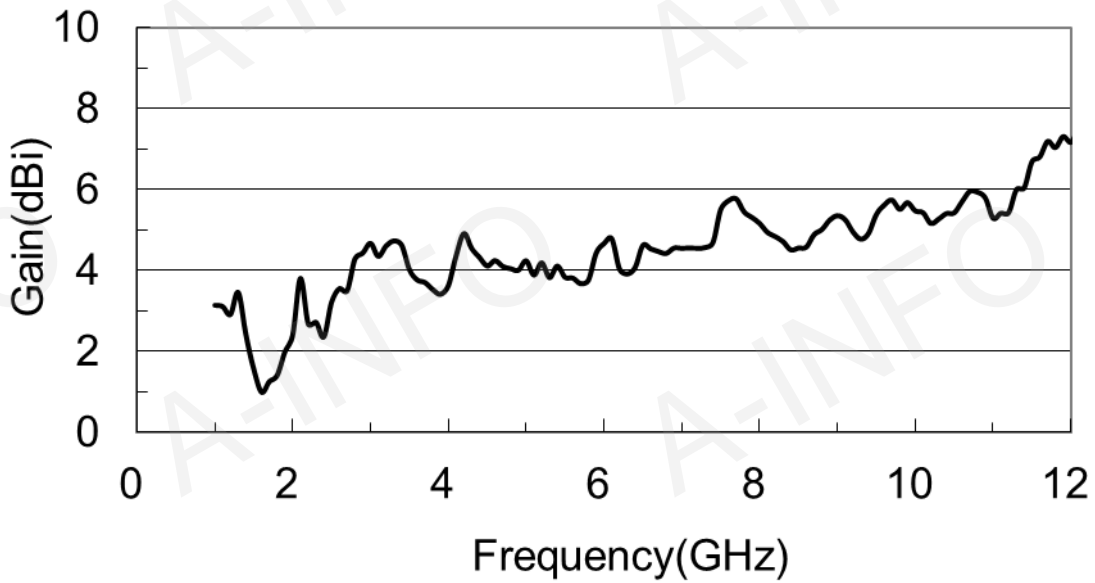


## SMA Female Output with round type mounting bracket

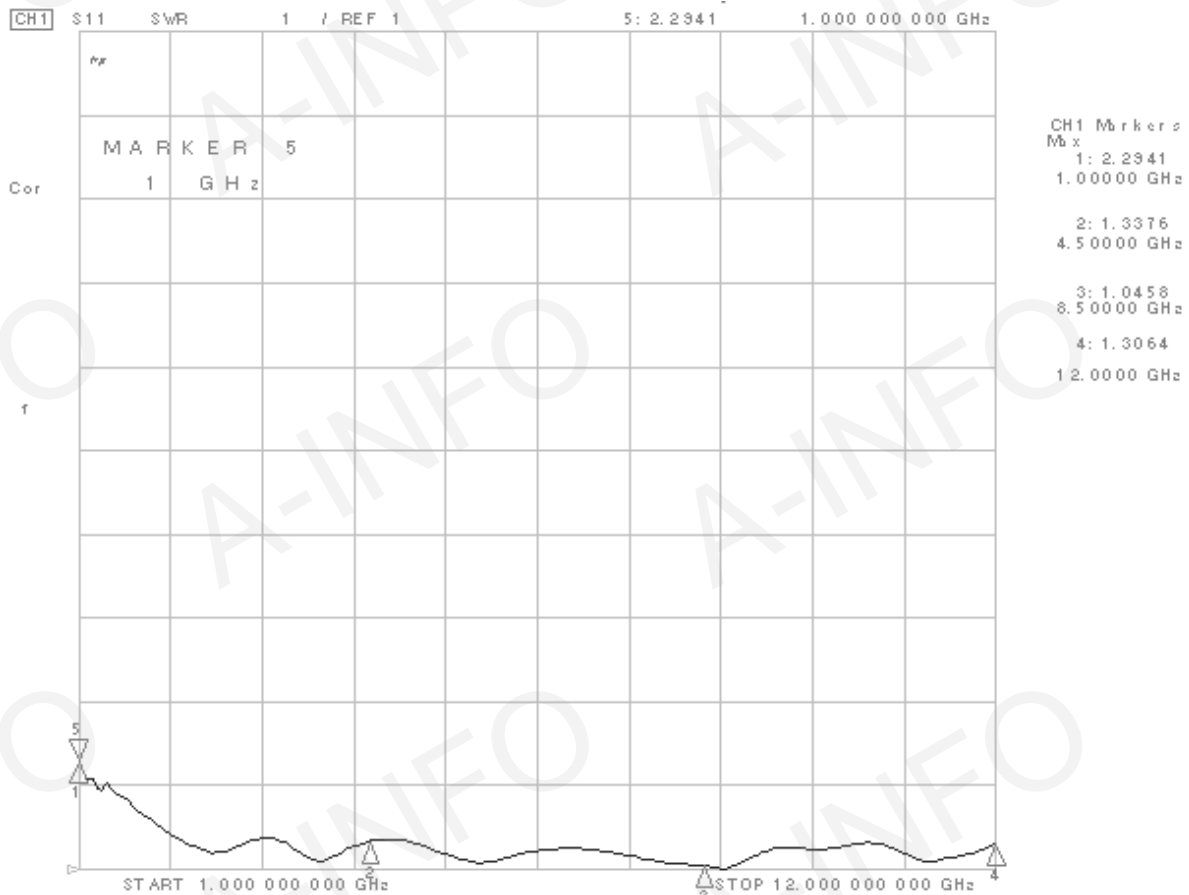


## Test Results

### 1. Gain



### 2. VSWR



## 3. Pattern

