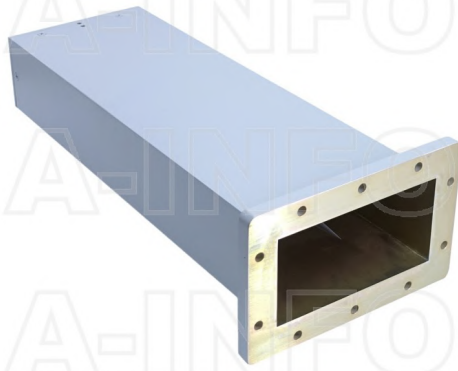


650WLPL WR650 Waveguide Low Power Load 1.12-1.7GHz with Rectangular Waveguide Interface



WR650 Waveguide Low Power Load Operating From 1.12 to 1.7GHz with Rectangular Waveguide Interface

Product Information

SKU	650WLPL
-----	---------

Description

Waveguide low power load 650WLPL, operating from 1.12 to 1.7GHz and low VSWR 1.08:1 650WLPL covers the WR650 sub waveguide band and comes with one flange FDP14(UDR14). It can handle 25W continuously and 25KW peak power. The WLPL series are for general version, low VSWR terminations for system application. The typical applications include system or test bench set-ups and small moderate power dummy loads.

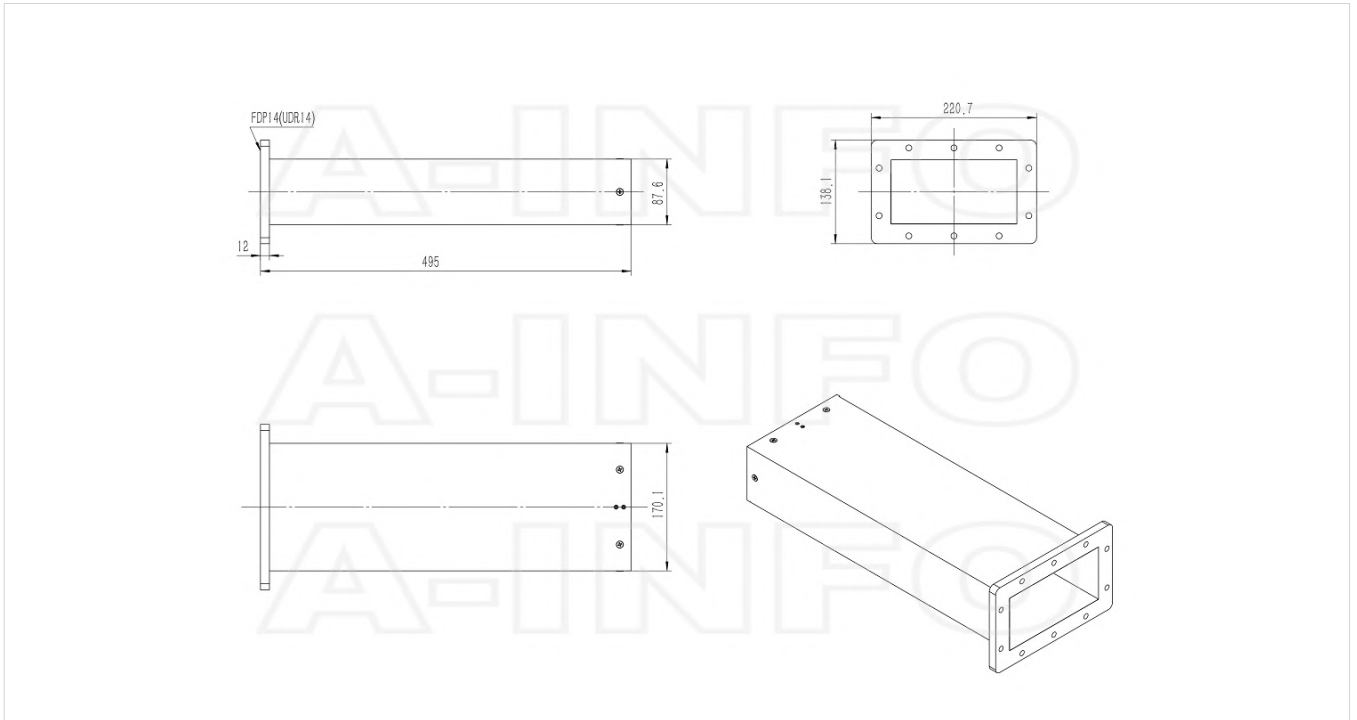
Technical Specification

Electrical Specification		Mechanical Specification	
WG Load Type	Low Power	Body Material	Al
Waveguide Band	L	Size, L (mm)	495
Waveguide Type	Rectangular	Size, W (mm)	220.7
Waveguide Size EIA WR	WR650	Size, H (mm)	138.1
Frequency, Min (GHz)	1.12	Weight, (kg)	6.52
Frequency, Max (GHz)	1.7	Pressure Sealed	No
VSWR, Typ	1.06:1	Environmental Specification	
VSWR, Max	1.08:1	Operating Temp. Low (°C)	-55
Power Handling, CW, (W)	25	Operating Temp. High (°C)	85
Power Handling, Peak, (KW)	25	Storage Temp. Low (°C)	-60
		Storage Temp. High (°C)	90
Interface			
Flange Style	Rectangular		
Flange Type	Cover		
Flange Designation	FDP14(UDR14)		

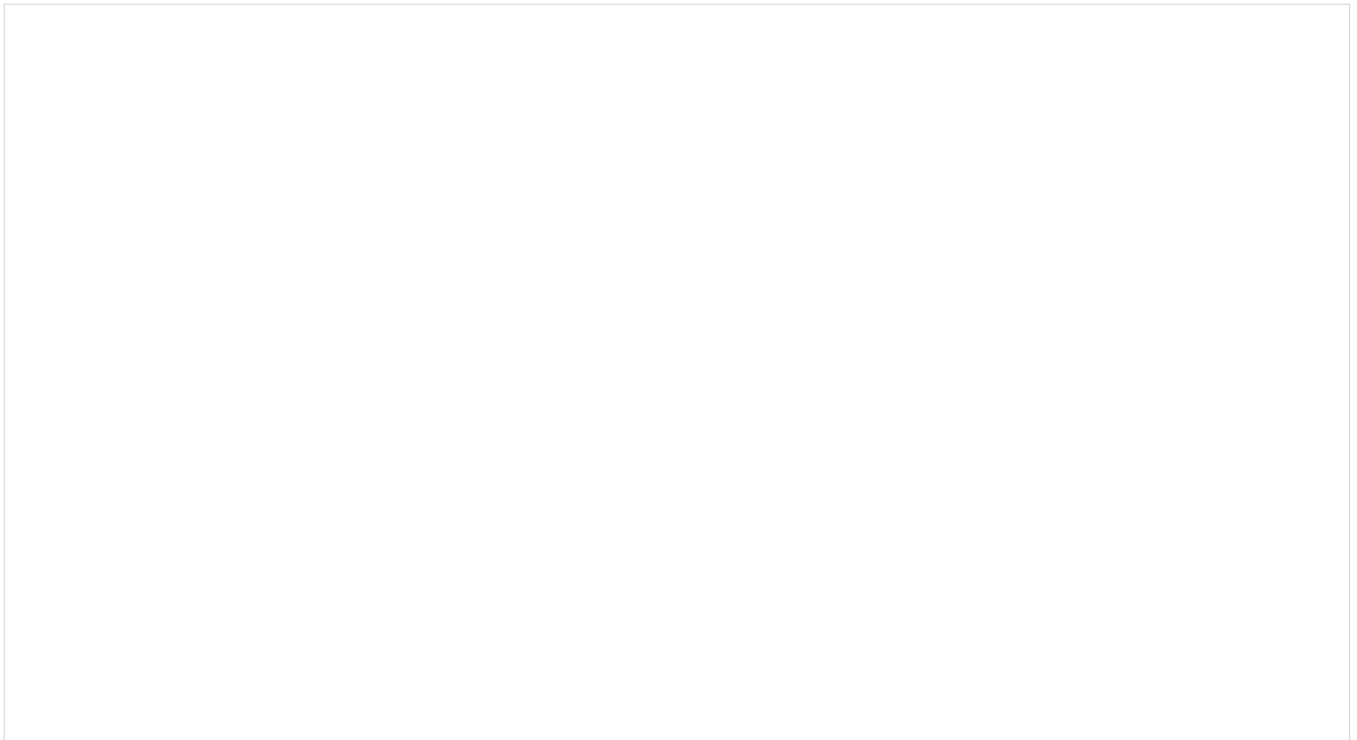
Additional Information

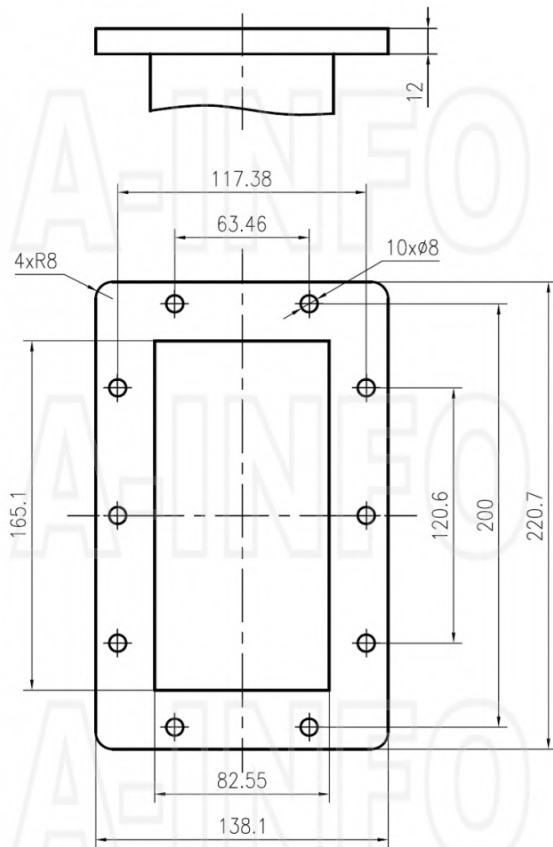
Application	General Purpose Indoor & Outdoor, Fixed
-------------	-----------------------------------------

Outline Drawing



Flange Drawing

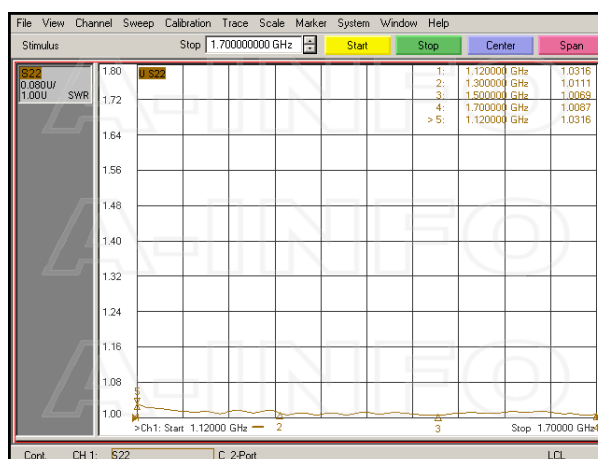




FDP14

Typical Test Results

VSWR



About this Datasheet

<ul style="list-style-type: none">● Product Information <p>Product Link: https://www.ainfoinc.com/650wlp-wr770-waveguide-low-power-load-0-96-1-45-ghz-fdp14-udr14?SID=lnhd8ddhqp837iaevd2ub03lf8834s6</p> <p>Data subject to change without notice. © A-INFO INC. 2024. All Rights Reserved</p>	<ul style="list-style-type: none">● Contact Us <p>Address: 60 Tesla, Irvine, CA 92618, USA</p> <p>Website: www.ainfoinc.com</p> <p>Email: sales@ainfoinc.com</p>	<ul style="list-style-type: none">● Phone & Fax <p>Phone: +1-949-639-9688 +1-949-639-9608</p> <p>Fax: +1-949-639-9670</p>
-------------------------------------------------------------------------------------------------------------------------------------------------------------------------------------------------------------------------------------------------------------------------------------------------------------------------------------------------------------------------------------------------------------------------------------------------------------------------	-------------------------------------------------------------------------------------------------------------------------------------------------------------------------------------------------------------------------------------------------------------------------------------	----------------------------------------------------------------------------------------------------------------------------------------------------------------