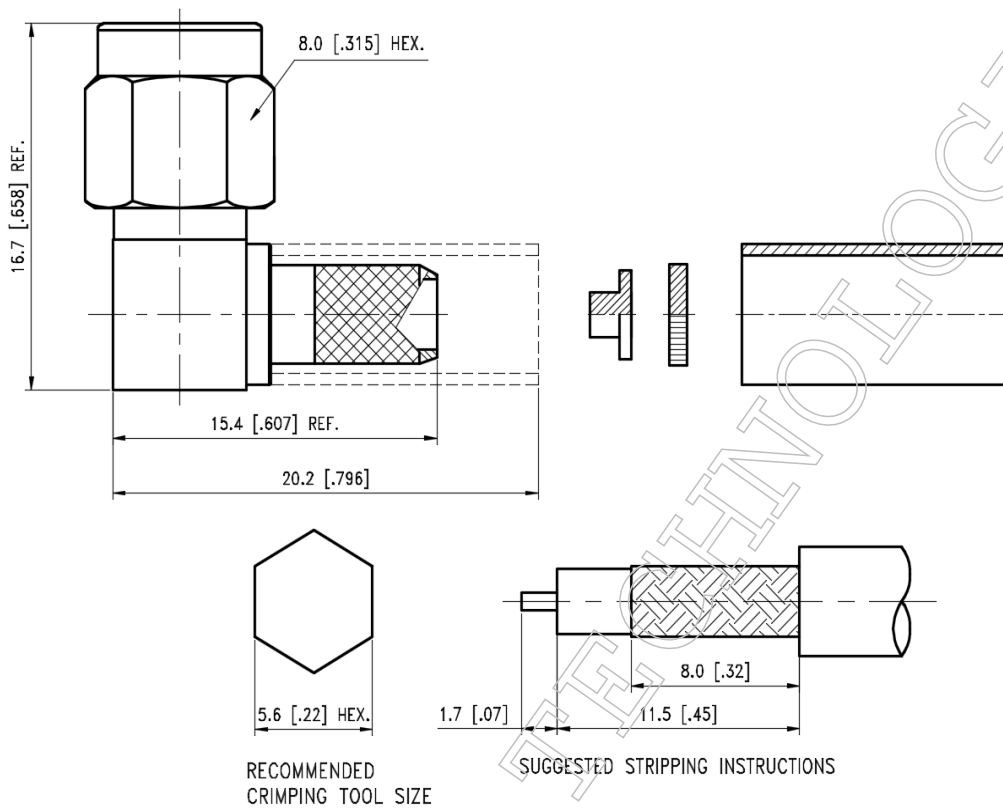


▪ **Outline Dimension Drawing**

Dimensions: mm[inch]



▪ **Material Specification**

Description	Material	Plating
Body*2	Stainless Steel	Passivate
Pin	Brass	Gold
Dielectric*2	PTFE	
End Cap	Stainless Steel	Passivate
Ferrule	Brass	Nickel
Gasket	S.I.R	Red
Coupling Nut	Stainless Steel	Passivate
R/ring	Stainless Steel	

In the effort to improve our products, we reserve the right to make changes judged to be necessary



▪ **Electrical Specification**

Description			Description		
Impedance	50	Ω	Insulation Resistance	5000	MΩ Min.
Frequency	3	GHz	Inner Contact Resistance	6	mΩ Max.
VSWR	1.25	Max.	Outer Contact Resistance	2	mΩ Max.
Insertion Loss	0.17	dB Max.	Voltage Rating	550	Vrms Max.
Dielectric Withstanding Voltage	1000	Vrms Max.			

▪ **Mechanical Specification**

Description			Description		
Center Contact			Recommended Torque	7~9	in. lbs
Axial Force-Mating End	6	lbs.	Coupling Nut Retention	60	in. lbs
Axial Force-Opposite End	6	lbs.			
Connector Durability	500	cycles			
Weight		g			

▪ **Environmental Specification**

Description		
Temperature Min.	-65	°C
Temperature Max.	165	°C
Hermetic Seal	N/A	

In the effort to improve our products, we reserve the right to make changes judged to be necessary