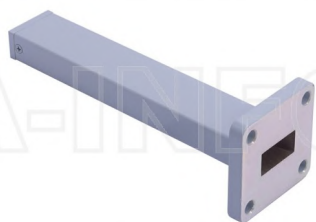


62WPL WR62 Waveguide Precision Load 12.4-18GHz with Rectangular Waveguide Interface

WR62 Waveguide Precision Load Operating From 12.4 to 18GHz with Rectangular Waveguide Interface



### Product Information

|     |       |
|-----|-------|
| SKU | 62WPL |
|-----|-------|

### Description

Waveguide precision load 62WPL, operating from 12.4 to 18GHz and low VSWR 1.02:1. 62WPL covers the 62WPL sub waveguide band and comes with one flange FBP140(UBR140). It can handle 1.5W continuously and 1.5KW peak power. A-INFO Precision Flange(APF) is available for this series. The WPL series low power waveguide fixed terminations are precision, low VSWR terminations suited to a wide variety of precision laboratory applications. The typical applications include full band one-Interface calibration and full two-Interface, isolation calibration. TRM (Thru-Reflect-Match) and SSLT (Short-Short-Load- Thru) calibration methods are supInterfaceed.

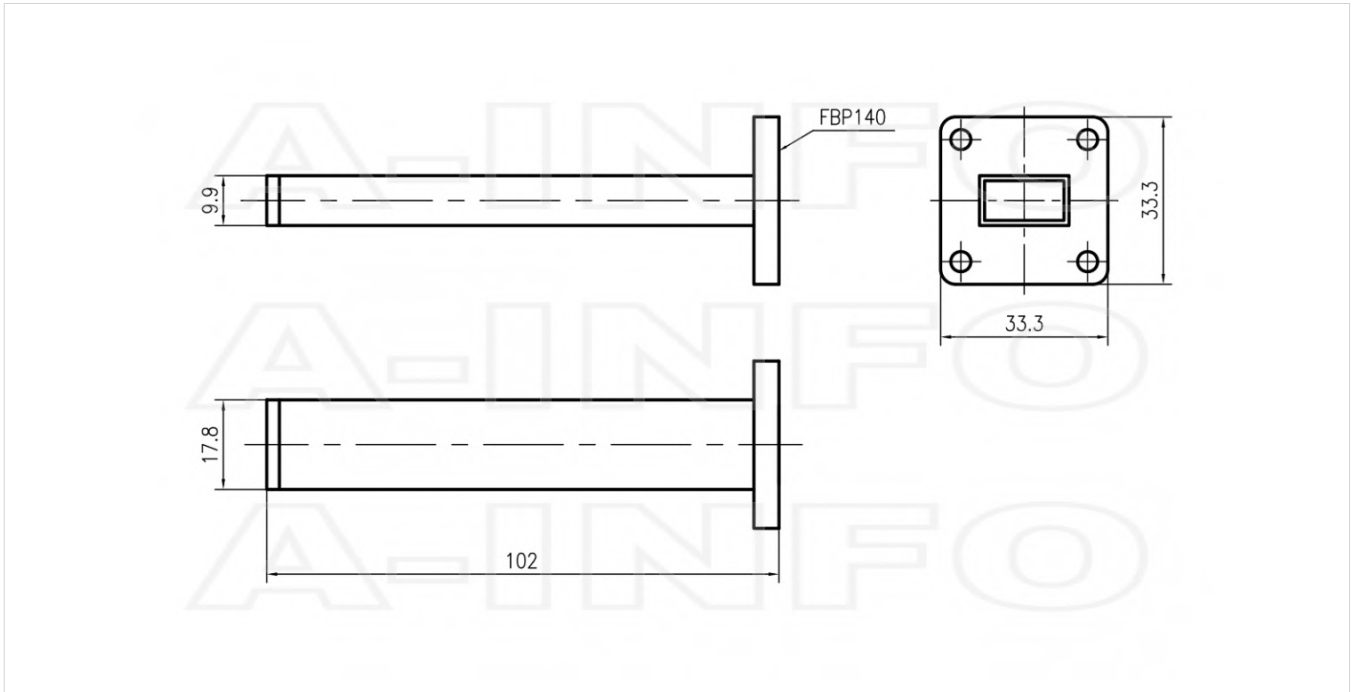
### Technical Specification

| Electrical Specification   |                | Mechanical Specification    |      |
|----------------------------|----------------|-----------------------------|------|
| WG Load Type               | Precision      | Body Material               | Al   |
| Waveguide Band             | Ku             | Size, L (mm)                | 102  |
| Waveguide Type             | Rectangular    | Size, W (mm)                | 33.3 |
| Waveguide Size EIA WR      | WR62           | Size, H (mm)                | 33.3 |
| Frequency, Min (GHz)       | 12.4           | Weight, (kg)                | 0.05 |
| Frequency, Max (GHz)       | 18             | Pressure Sealed             | No   |
| VSWR, Typ                  | 1.015:1        | Environmental Specification |      |
| VSWR, Max                  | 1.02:1         | Operating Temp. Low (°C)    | -55  |
| Power Handling, CW, (W)    | 1.5            | Operating Temp. High (°C)   | 85   |
| Power Handling, Peak, (KW) | 1.5            | Storage Temp. Low (°C)      | -60  |
| Interface                  |                | Storage Temp. High (°C)     | 90   |
| Flange Style               | Square         |                             |      |
| Flange Type                | Cover          |                             |      |
| Flange Designation         | FBP140(UBR140) |                             |      |

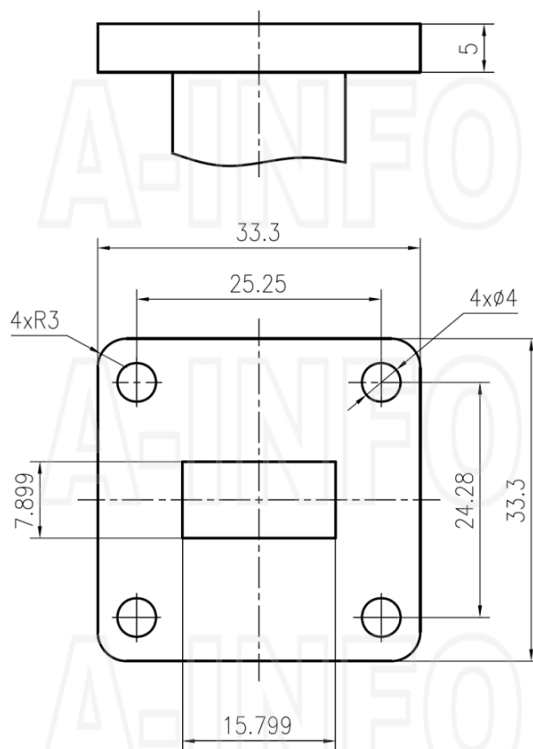
## Additional Information

|             |   |
|-------------|---|
| Application | General Purpose Indoor & Outdoor, Fixed |
|-------------|---|

## Outline Drawing



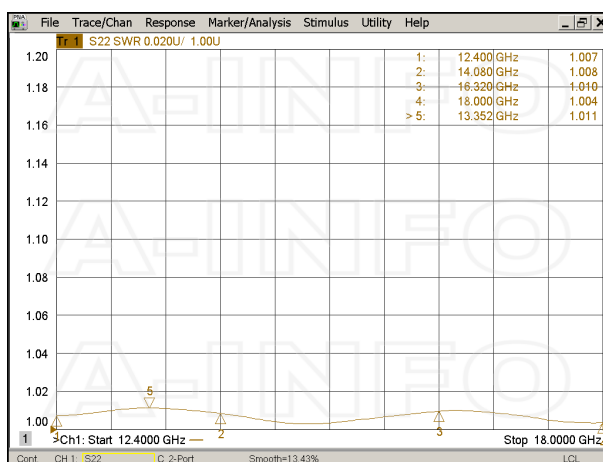
## Flange Drawing



FBP140

## Typical Test Results

### VSWR



### About this Datasheet

|  |   |  |
|--|---|--|
| <ul style="list-style-type: none"><li>● <b>Product Information</b></li></ul> <p>Product Link:<br/><a href="https://www.ainfoinc.com/62wpl-wr62-waveguide-precision-load-12-4-18-ghz-fbp140-ubr140">https://www.ainfoinc.com/62wpl-wr62-waveguide-precision-load-12-4-18-ghz-fbp140-ubr140</a><br/>Data subject to change without notice.<br/>© A-INFO INC. 2024. All Rights Reserved</p> | <ul style="list-style-type: none"><li>● <b>Contact Us</b></li></ul> <p>Address:<br/>60 Tesla, Irvine, CA 92618,<br/>USA</p> <p>Website:<br/><a href="http://www.ainfoinc.com">www.ainfoinc.com</a></p> <p>Email:<br/><a href="mailto:sales@ainfoinc.com">sales@ainfoinc.com</a></p> | <ul style="list-style-type: none"><li>● <b>Phone &amp; Fax</b></li></ul> <p>Phone:<br/>+1-949-639-9688<br/>+1-949-639-9608</p> <p>Fax:<br/>+1-949-639-9670</p> |
|--|---|--|