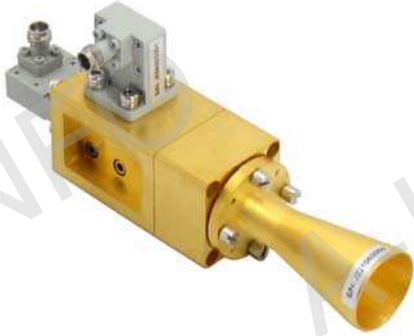


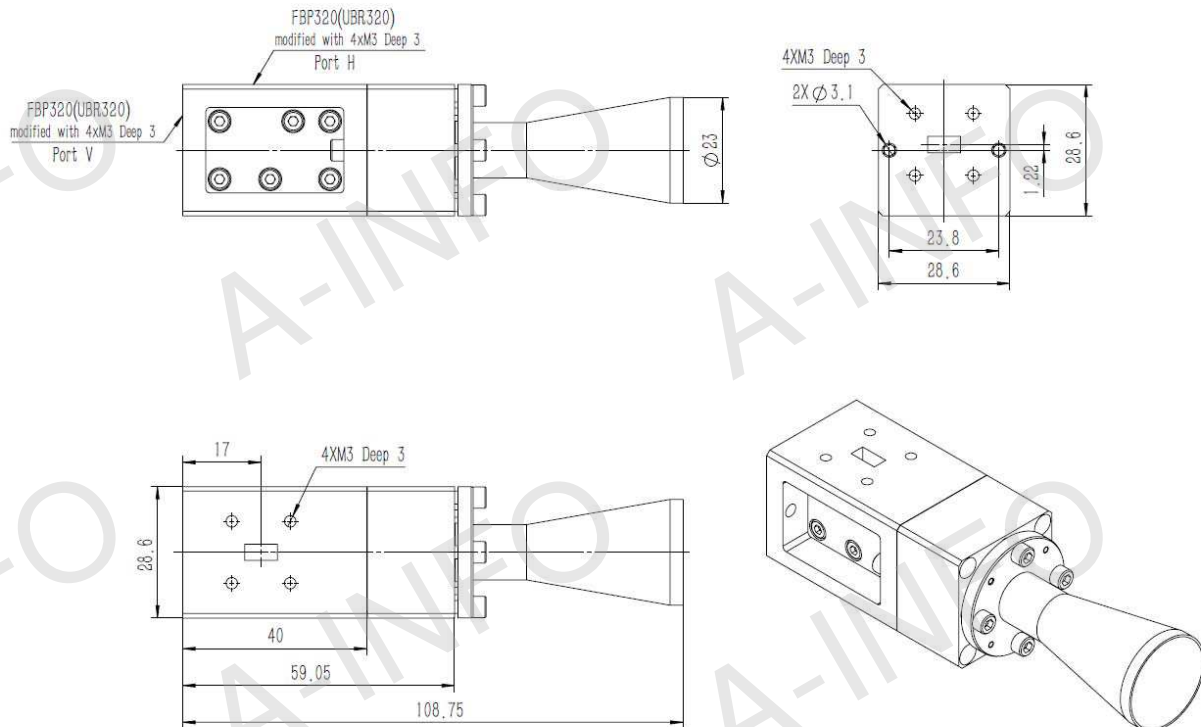
Technical Specification



Frequency Range(GHz)	26.0 - 35.0	
Waveguide	WR28	
Gain(dBi)	15 Typ.	
Polarization	Dual Linear	
3dB Beamwidth(deg)	E Plane:	27 Typ.
	H Plane:	32 Typ.
Cross Pol. Isolation(dB)	-30 Typ.	
Port to Port Isolation(dB)	30 Min.	
VSWR	2.0:1 Typ.	
Output	A Type:	FBP320(UBR320) (Modified with 4xM3 Deep 3)
	C Type:	2.92mm-Female or 2.4mm-Female
Material	Cu	
Size(mm)	A Type:	Φ23 x 108.75
	C Type:	Φ23 x 132.8
Net Weight(Kg)	A Type:	0.30 Around
	C Type:	0.34 Around

Outline Drawing (Size: mm)

A Type(With FBP320 Output)



AINFO Inc.

Page 1 of 10

China(Beijing):
China(Chengdu):
USA :

Tel: (+86) 10-6266-7326,
Tel: (+86) 28-8519-2786,
Tel: (+1) 949-639-9688,

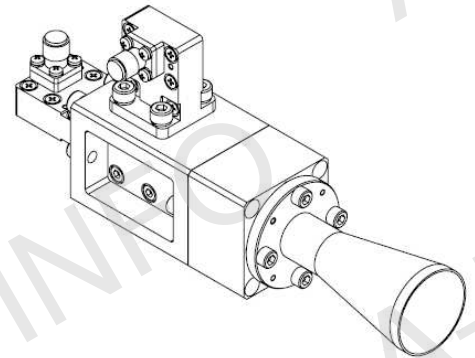
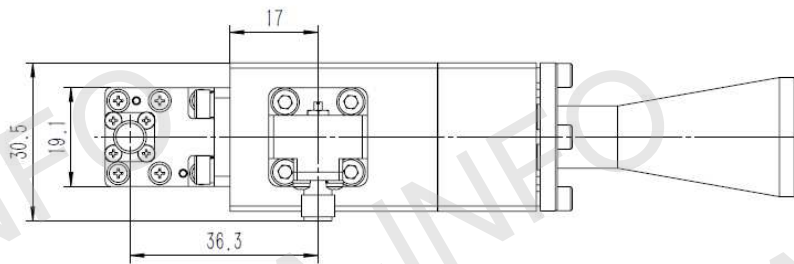
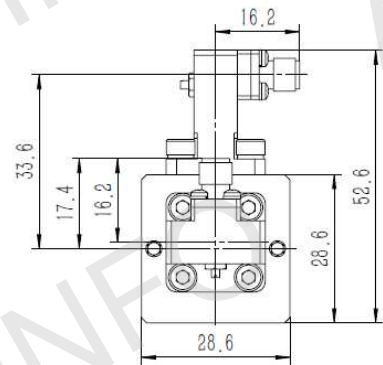
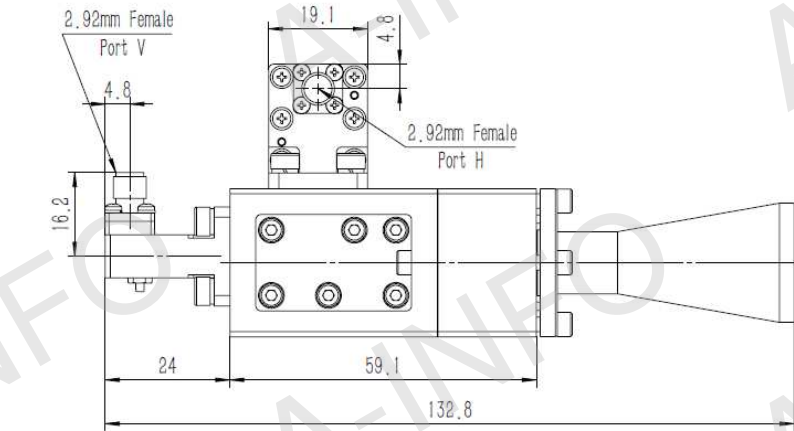
(+86) 10-6266-7327
(+86) 28-8519-3044
(+1) 949-639-9608

Fax: (+86) 10-6266-7379
Fax: (+86) 28-8519-3068
Fax: (+1) 949-639-9670

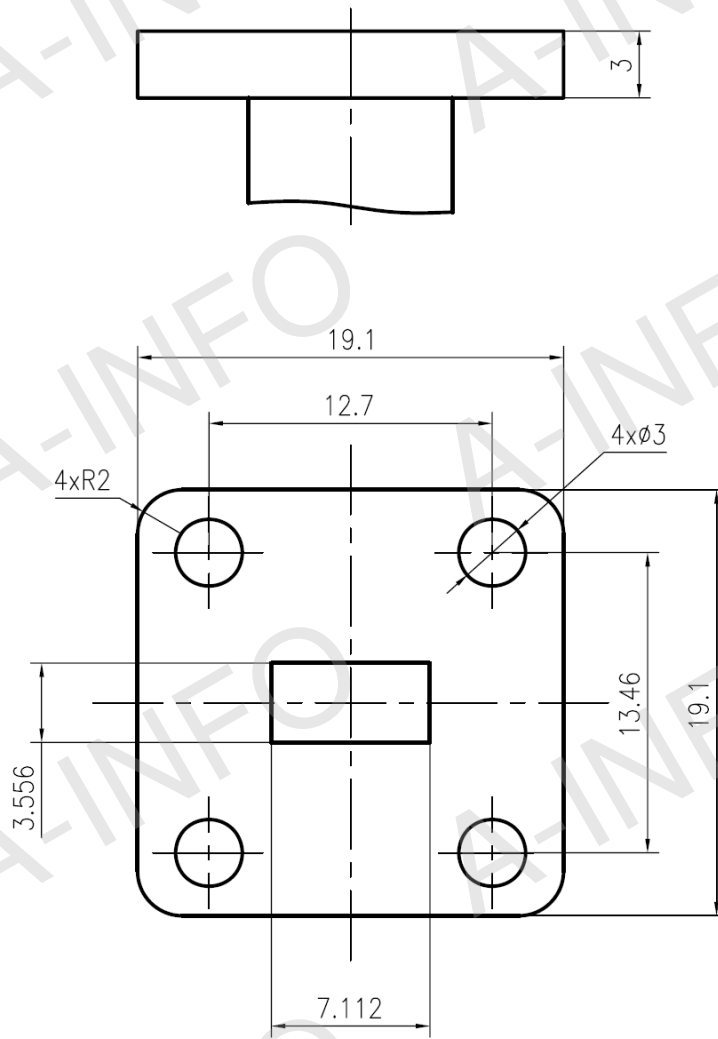
Website: www.ainfoinc.com
Email: sales@ainfoinc.com

C Type (With 2.92mm-Female Output)

For 2.4mm-Female output outline drawing, please contact A-INFO.



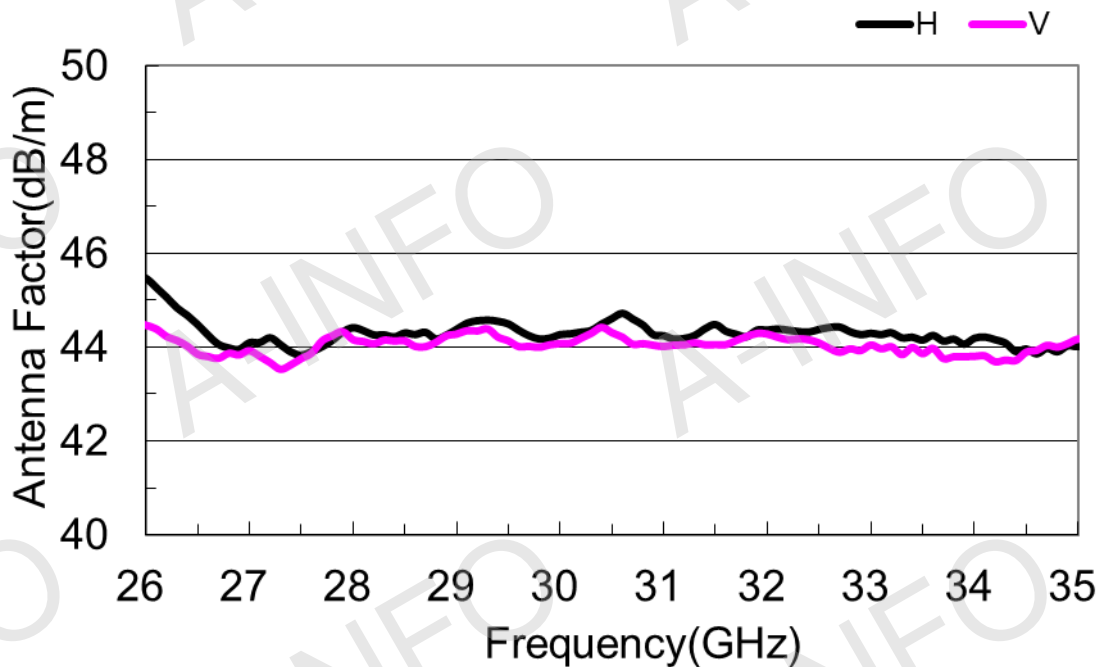
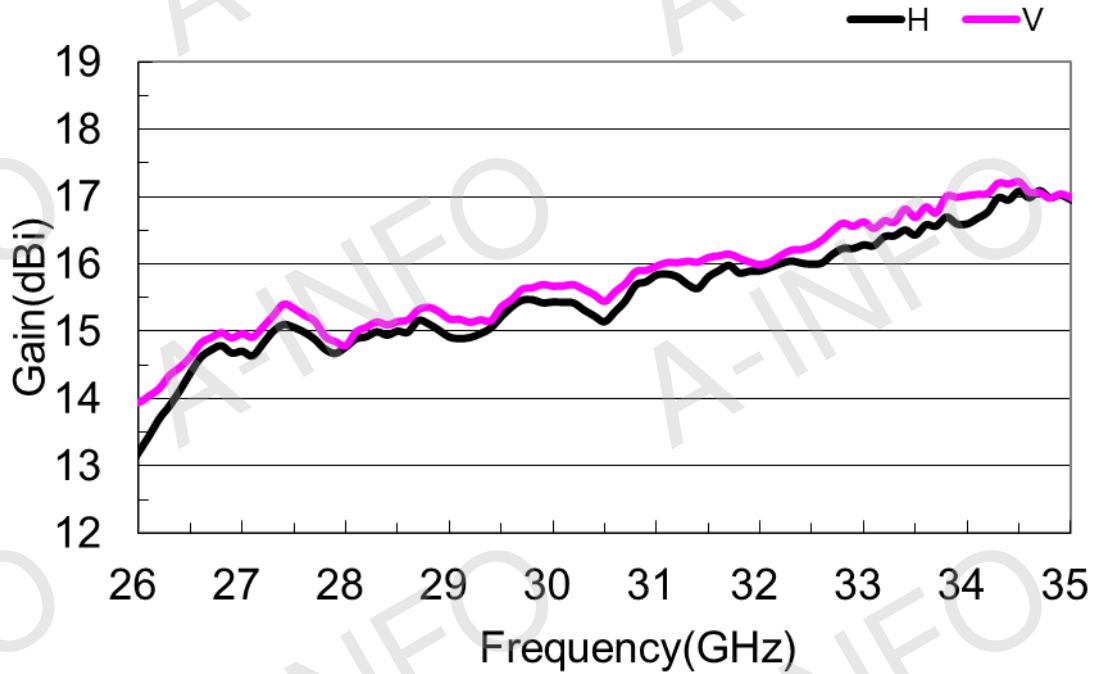
Flange Drawing (Size: mm)



FBP320

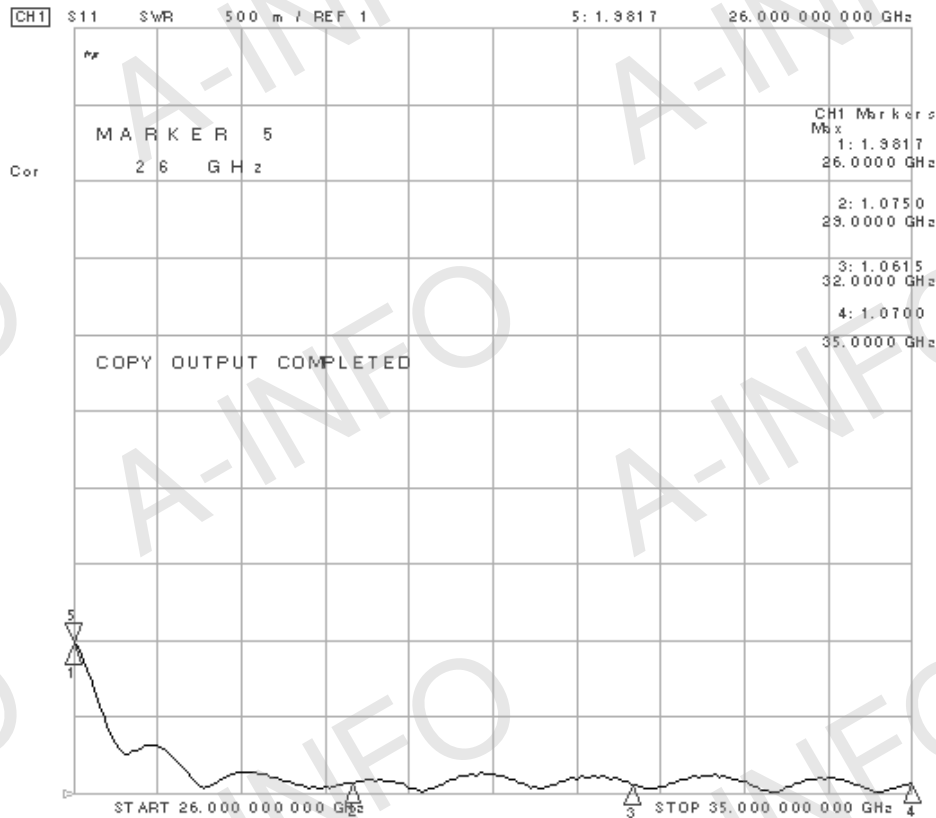
Test Results

1. Gain and Antenna Factor

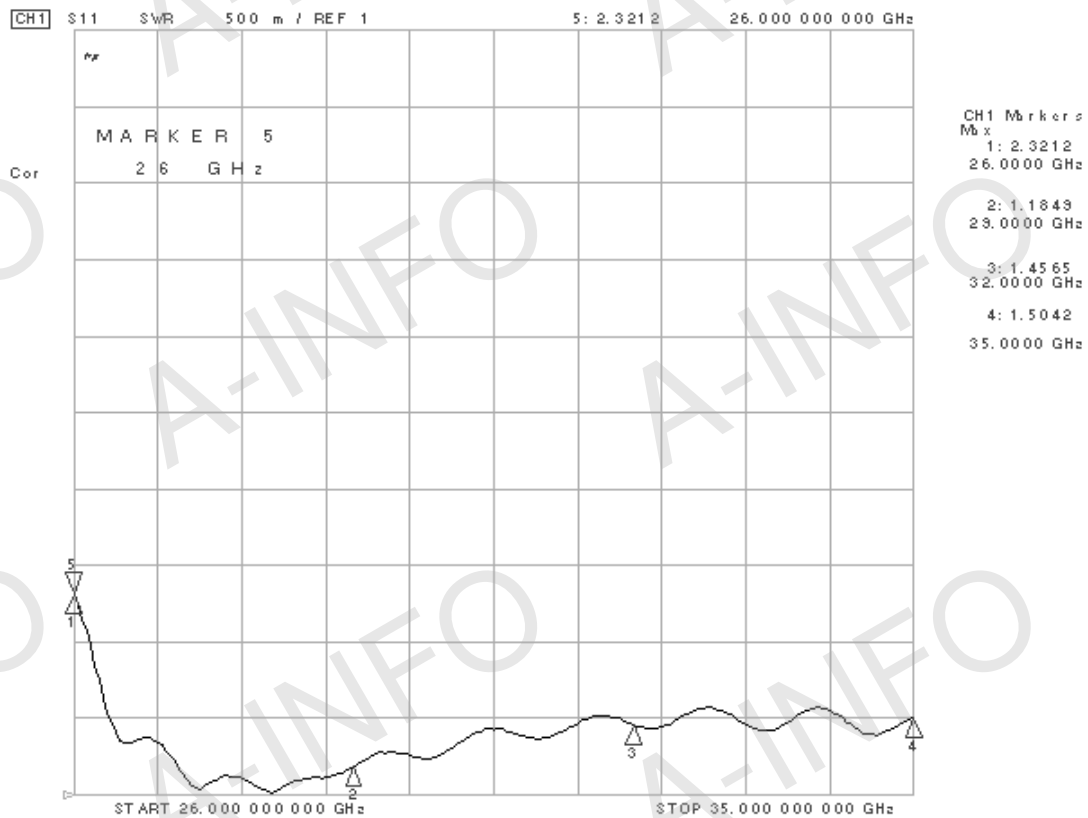


2. VSWR

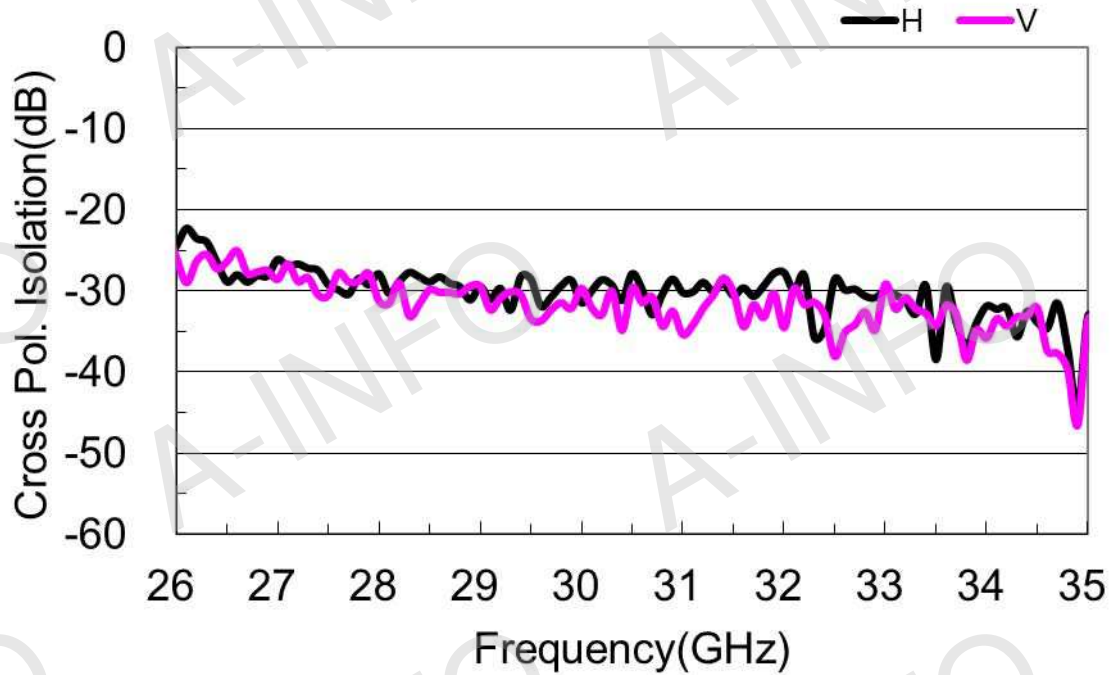
Port-V (A type output)



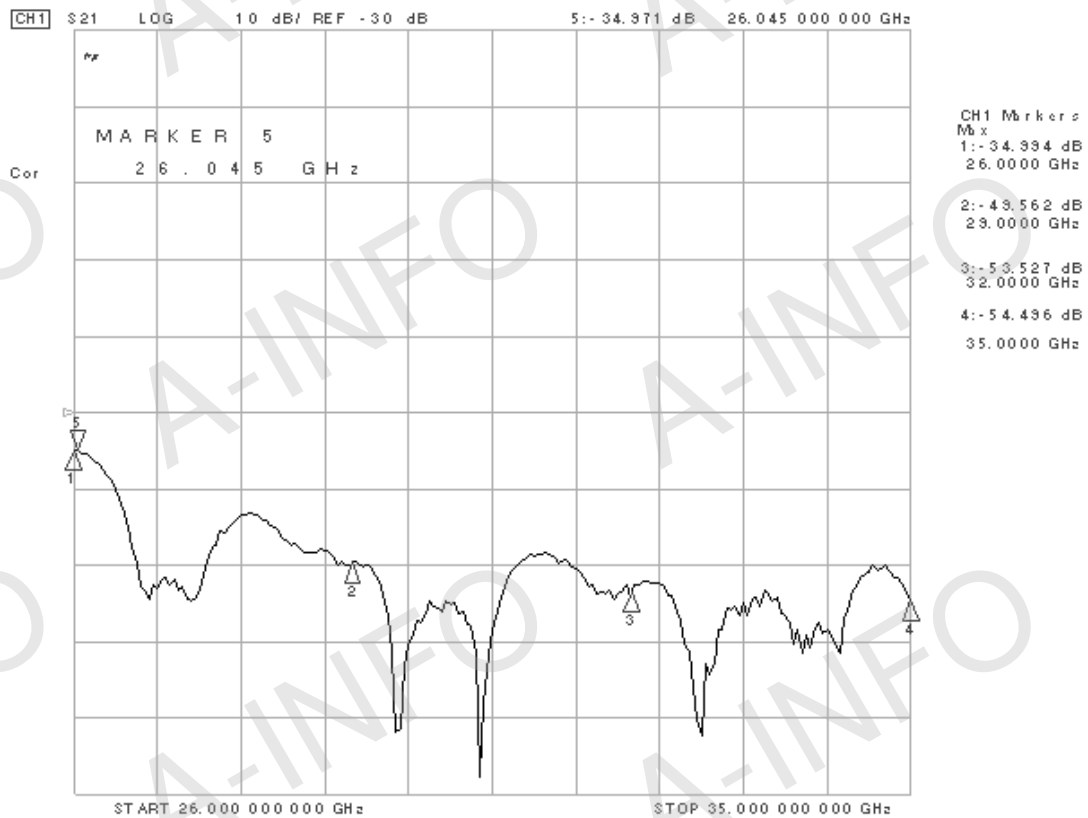
Port-H (A type output)



3. Cross Polarization Isolation



4. Port to Port Isolation



5. Pattern

