



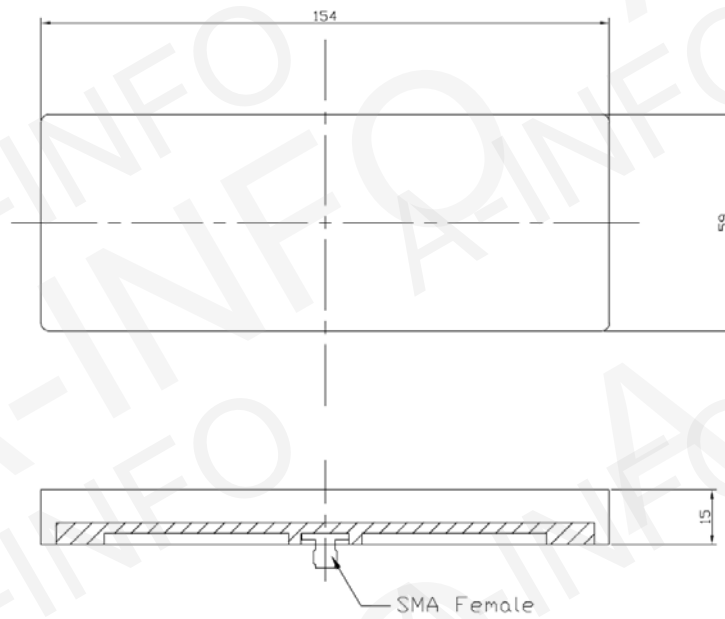
Test report is for reference only.

TEST REPORT
For
MAA-164595-V

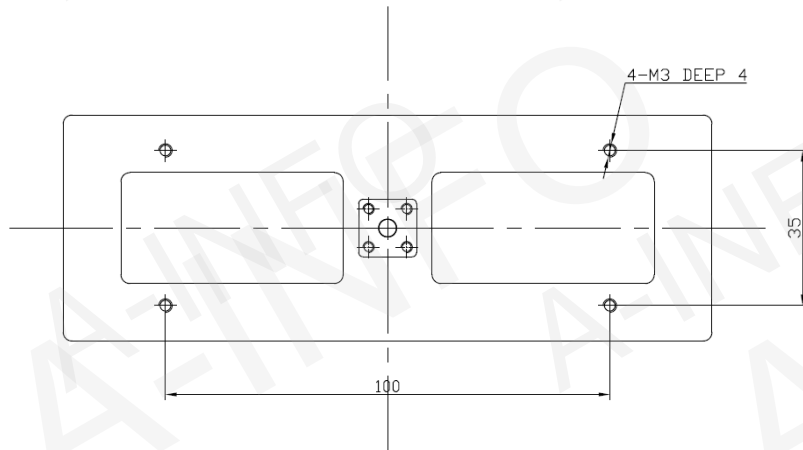
Technical Specification

Center Frequency(GHz)	16.7
3dB Bandwidth(MHz)	500
Gain(dB)	18 min
Max Input Power(W)	10
VSWR	2.0 typ.
Polarization	Vertical
Net Weight(Kg)	0.13 Around

Outline Drawing (Size: mm)



Mounting Drawing (Size: mm)



Test Results

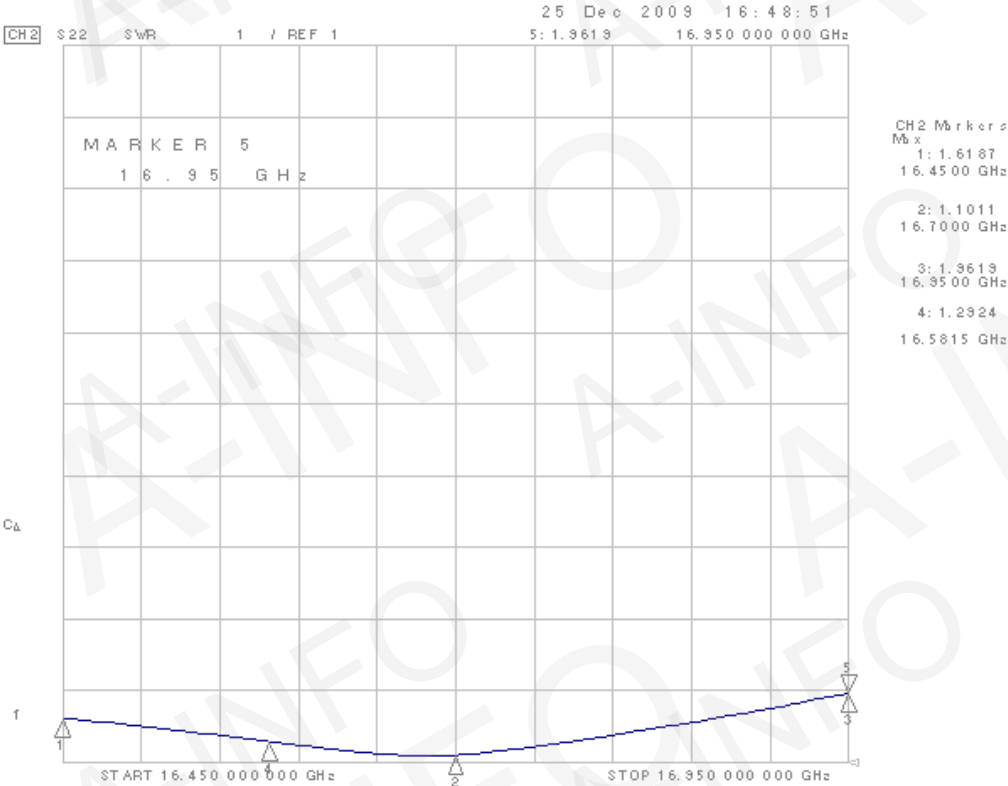
1. Gain

Frequency(MHz)	16450	16700	16950
Gain(dB)	18.8	18.7	18.5

BeamWidth

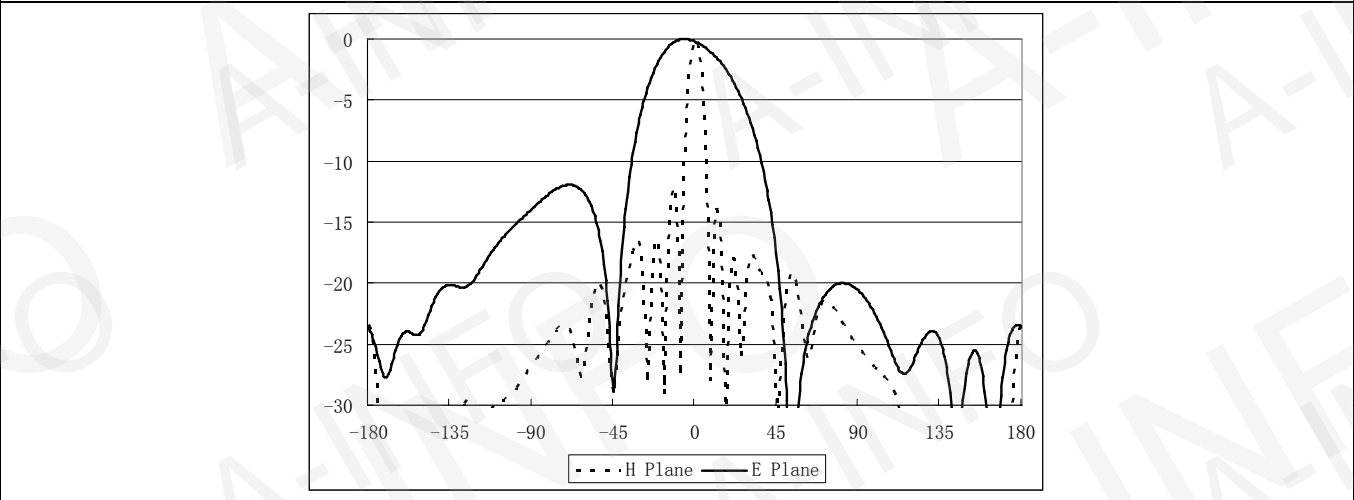
Frequency(MHz)	16450	16700	16950
E(°)	46.1	45.7	45.2
H(°)	7.4	7.5	7.5

2. VSWR

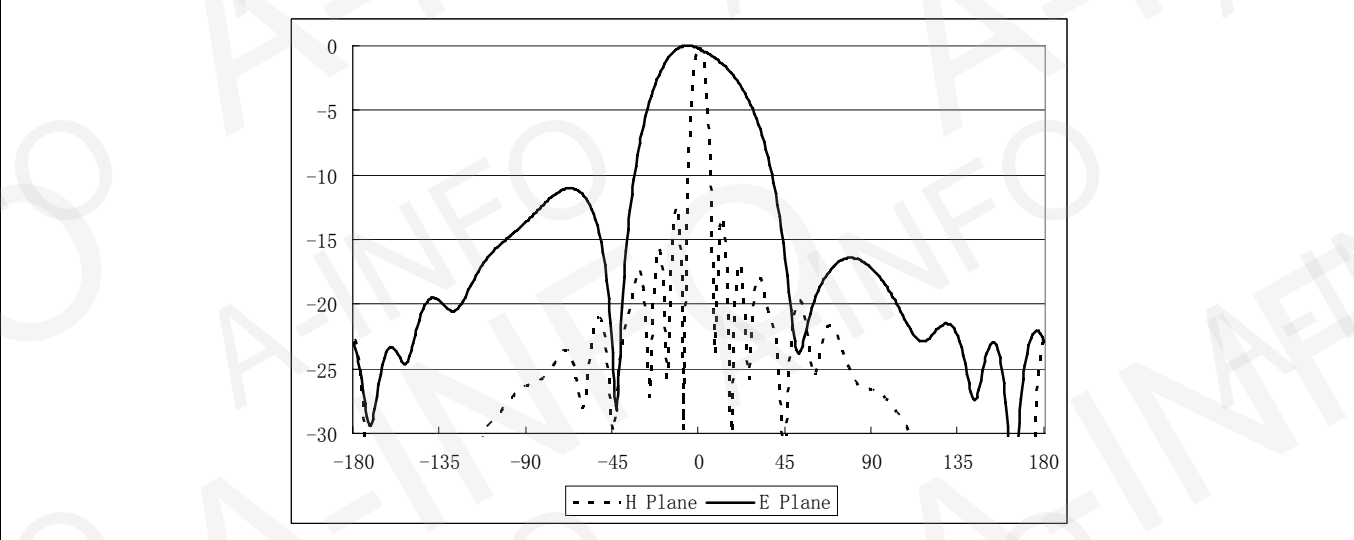


3. Pattern

Frequency:16450MHz



Frequency:16700MHz



Frequency:16950MHz

