

Technical Specification

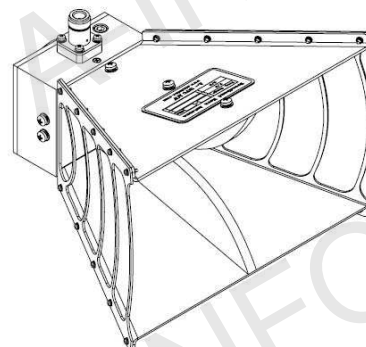
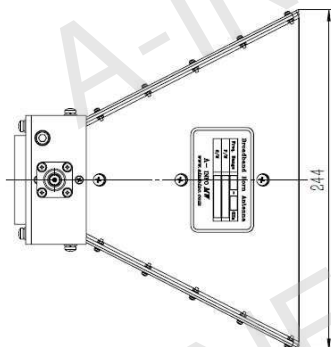
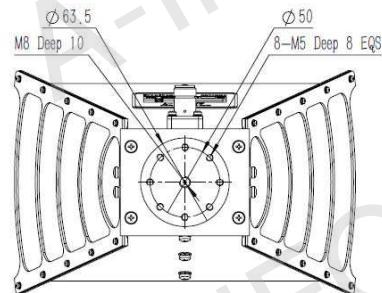
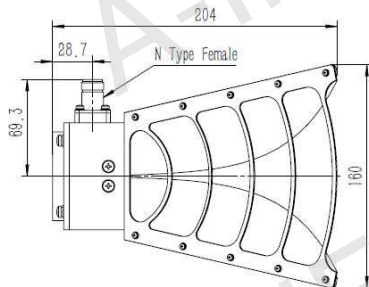


Frequency Range(GHz)	1.0 - 12.5	
Gain(dBi)	11 Typ.	
Polarization	Linear	
3dB Beamwidth(deg)	E Plane	100 - 26
	H Plane	62 - 33
Cross Pol. Isolation(dB)	25 Typ.	
VSWR	1.5:1 Typ.	
Connector	N-Female	
	or SMA-Female	
Power Handling(W)	N-Female	300 Max. CW
	SMA-Female	50 Max. CW
Material	Al	
Size(mm)	244 x 160 x 204	
Net Weight(Kg)	1.4 Around	

Outline Drawing (Size: mm)

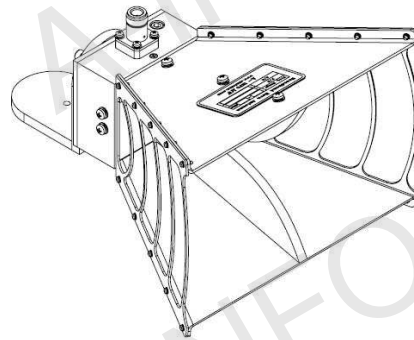
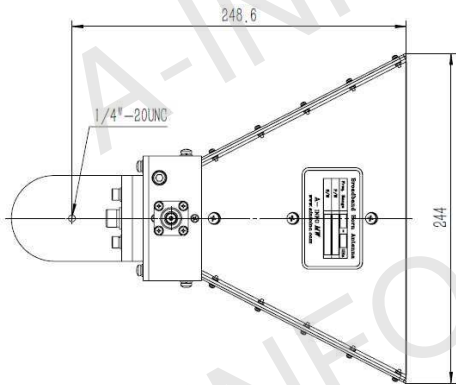
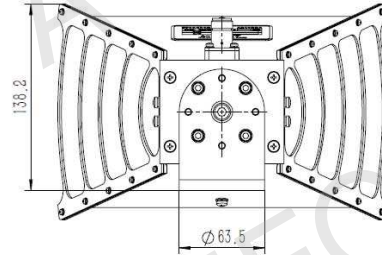
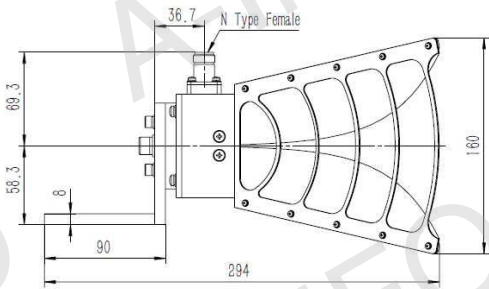
N-Female Output

For SMA-Female output outline drawing, please contact A-INFO.



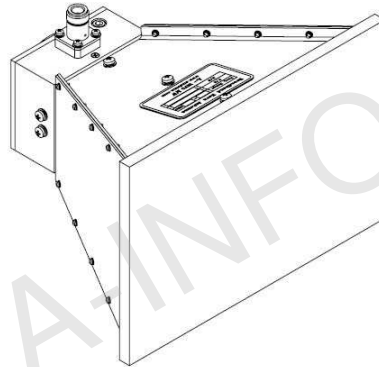
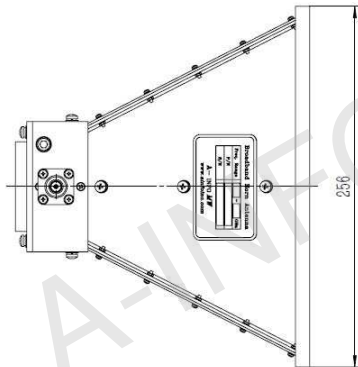
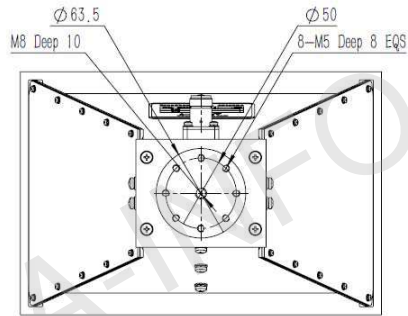
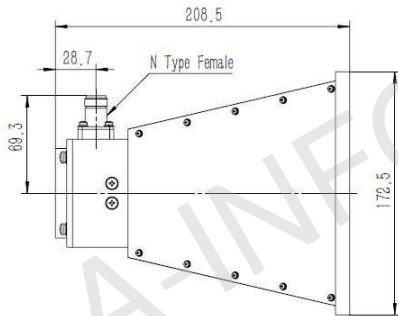
N-Female Output with L type mounting bracket

For SMA-Female output outline drawing, please contact A-INFO.



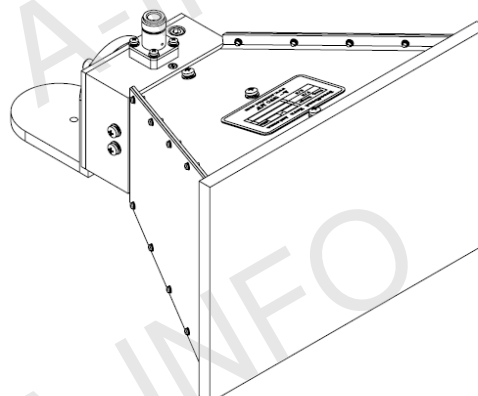
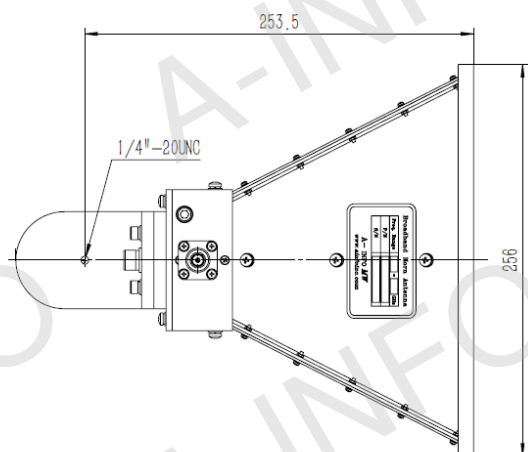
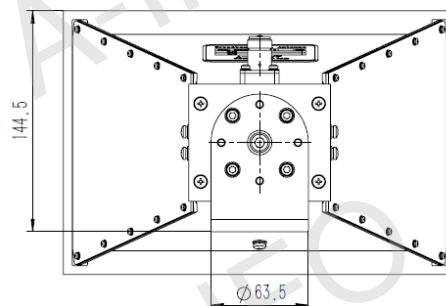
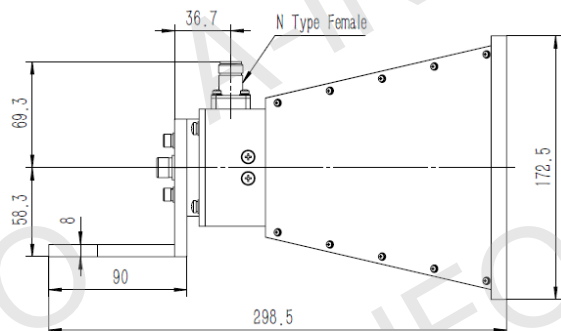
N-Female Output with Radome

For SMA-Female output outline drawing, please contact A-INFO.



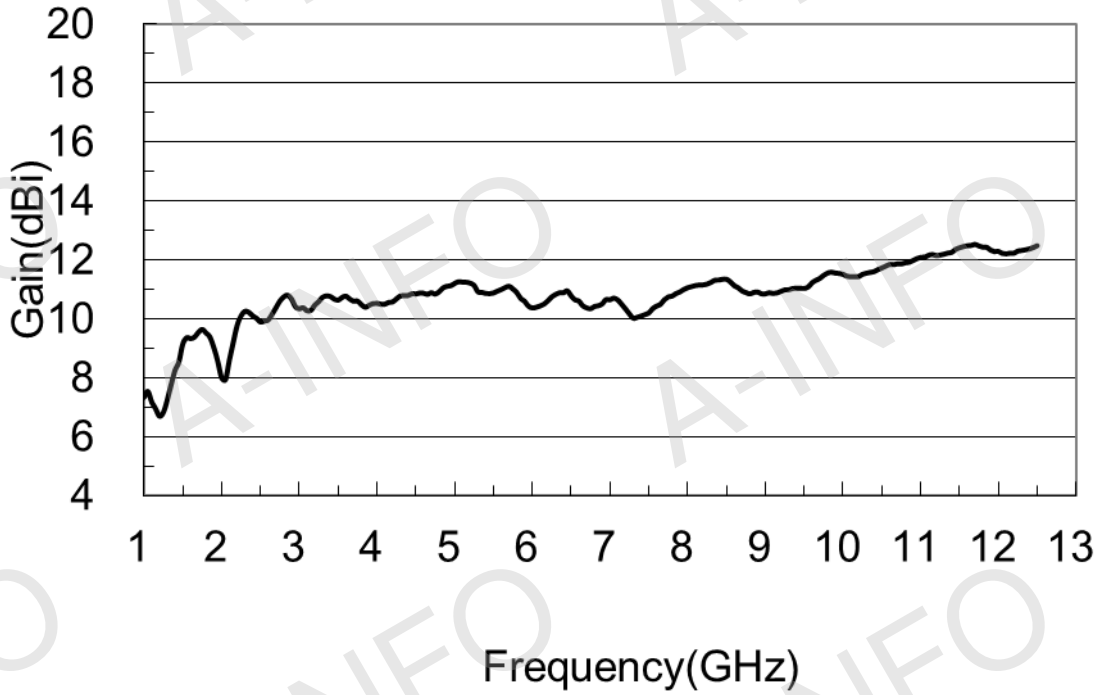
N-Female Output with L type mounting bracket & Radome

For SMA-Female output outline drawing, please contact A-INFO.

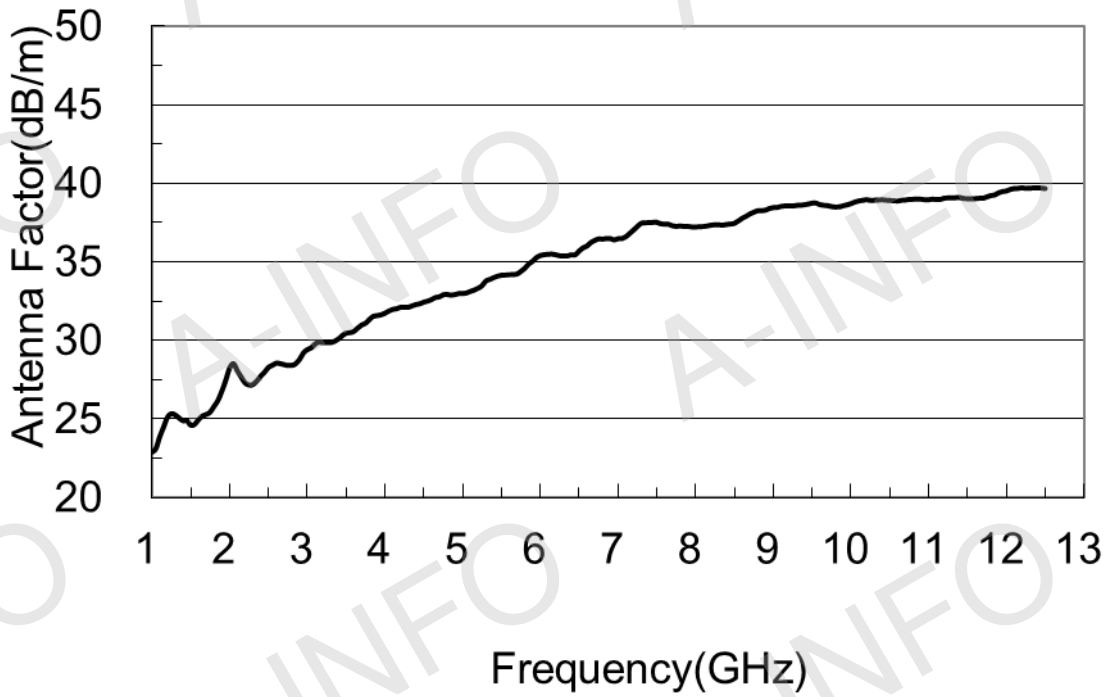


Test Results

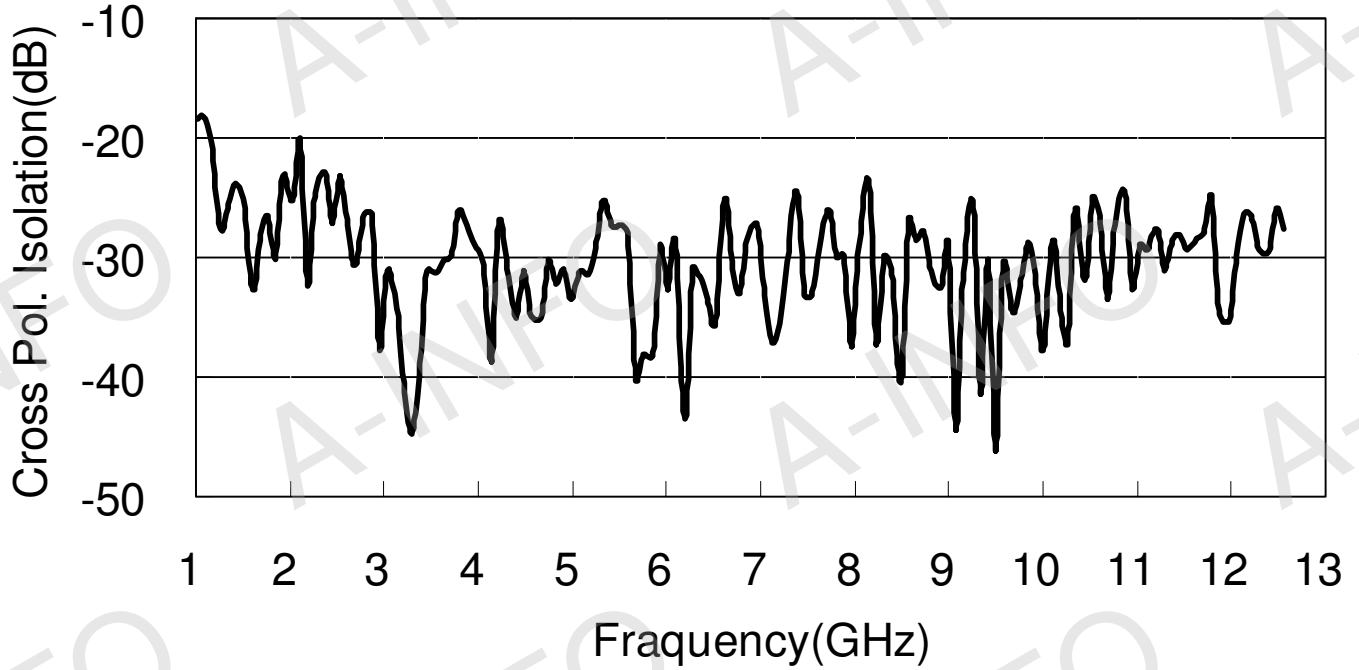
1. Gain



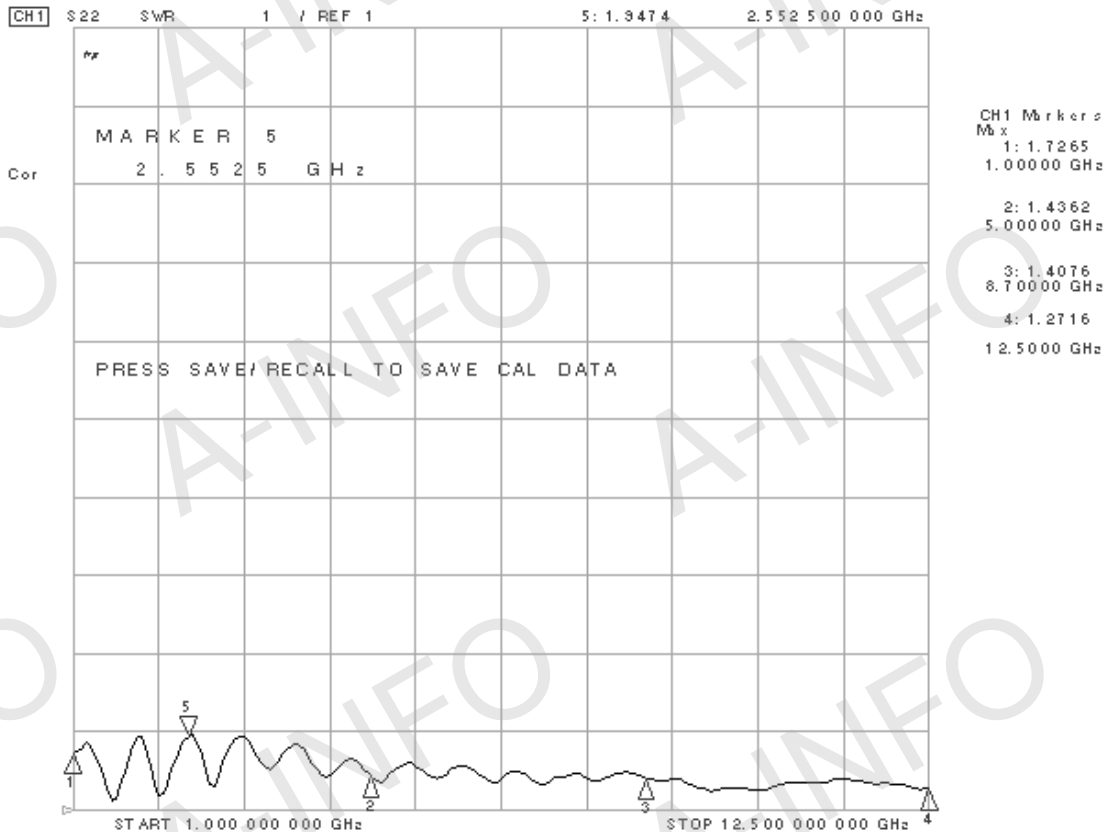
2. Antenna Factor



3. Cross Polarization Isolation



4. VSWR



5. Pattern

