

137WPL WR137 Waveguide Precision Load 5.85-8.2GHz with Rectangular Waveguide Interface

WR137 Waveguide Precision Load Operating From 5.85 to 8.2GHz with Rectangular Waveguide Interface



### Product Information

SKU	137WPL
-----	--------

### Description

Waveguide precision load 137WPL, operating from 5.85 to 8.2GHz and low VSWR 1.02:1. 137WPL covers the 137WPL sub waveguide band and comes with one flange FDP70(UDR70). It can handle 6 continuously and 6 peak power. A-INFO Precision Flange(APF) is available for this series. The WPL series low power waveguide fixed terminations are precision, low VSWR terminations suited to a wide variety of precision laboratory applications. The typical applications include full band one-Interface calibration and full two-Interface, isolation calibration. TRM (Thru-Reflect-Match) and SSLT (Short-Short-Load- Thru) calibration methods are supInterfaceed.

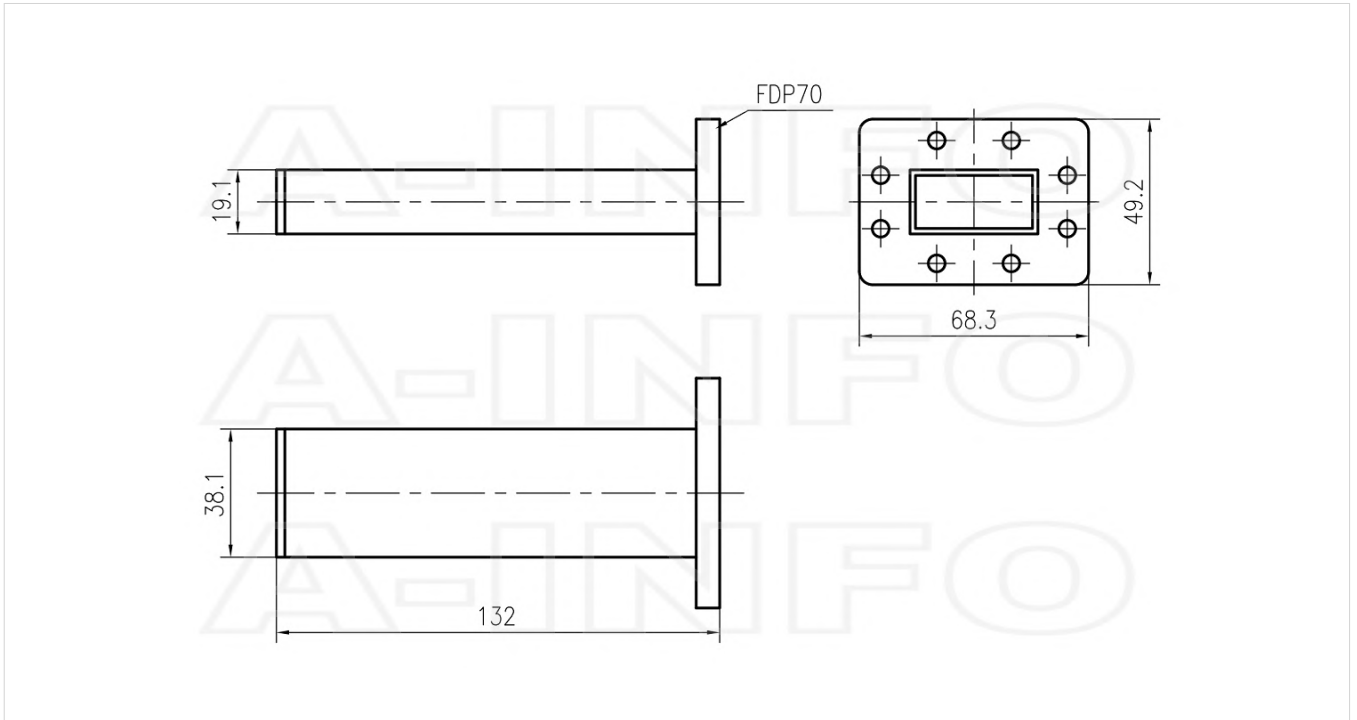
### Technical Specification

Electrical Specification		Mechanical Specification	
WG Load Type	Precision	Body Material	Al
Waveguide Band	C X	Size, L (mm)	132
Waveguide Type	Rectangular	Size, W (mm)	68.3
Waveguide Size EIA WR	WR137	Size, H (mm)	49.2
Frequency, Min (GHz)	5.85	Weight, (kg)	0.2
Frequency, Max (GHz)	8.2	Pressure Sealed	No
VSWR, Typ	1.015:1	Environmental Specification	
VSWR, Max	1.02:1	Operating Temp. Low (°C)	-55
Power Handling, CW, (W)	6	Operating Temp. High (°C)	85
Power Handling, Peak, (KW)	6	Storage Temp. Low (°C)	-60
<b>Interface</b>		Storage Temp. High (°C)	90
Flange Style	Rectangular		
Flange Type	Cover		
Flange Designation	FDP70(UDR70)		

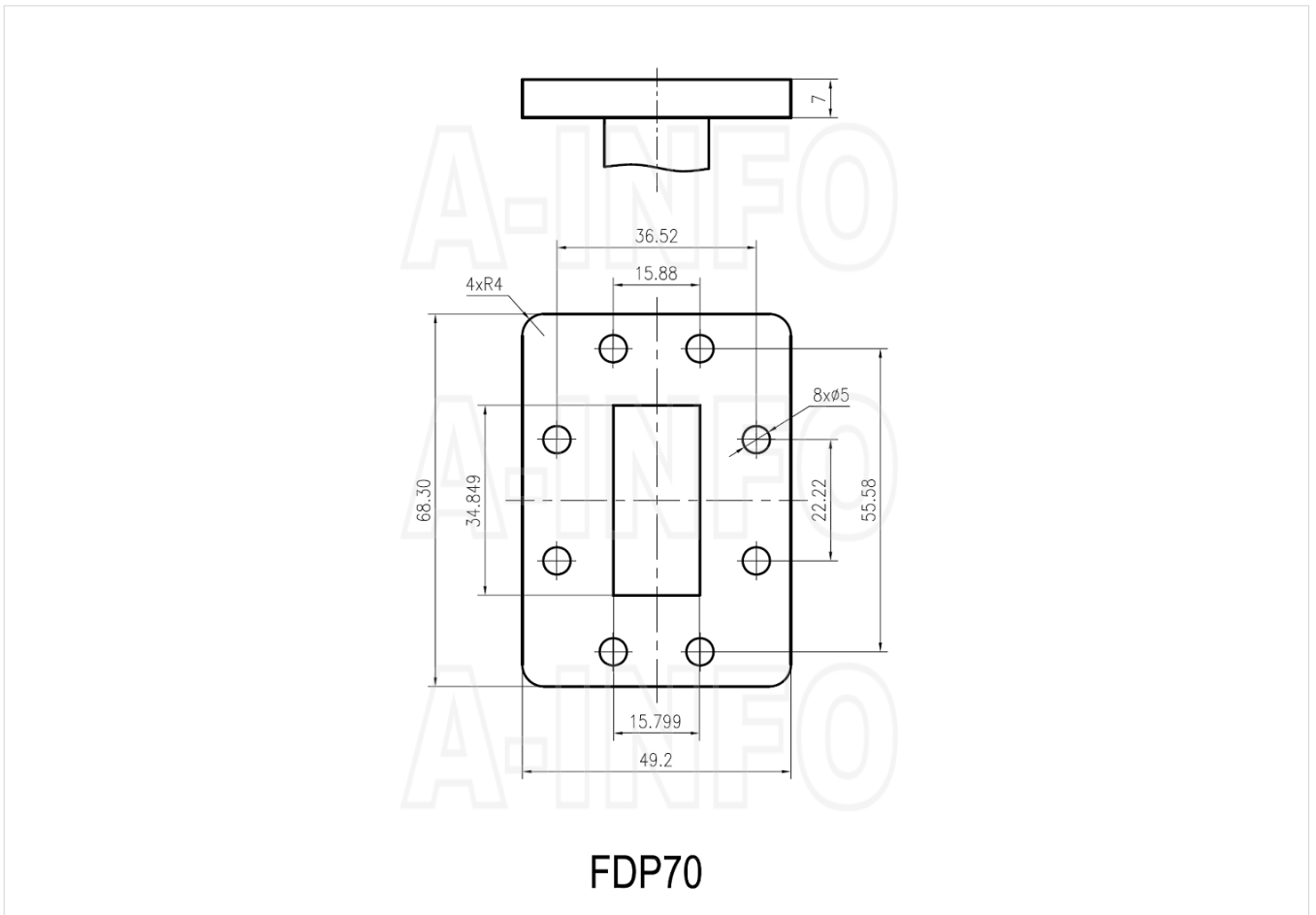
## Additional Information

Application	General Purpose Indoor & Outdoor, Fixed
-------------	---

## Outline Drawing

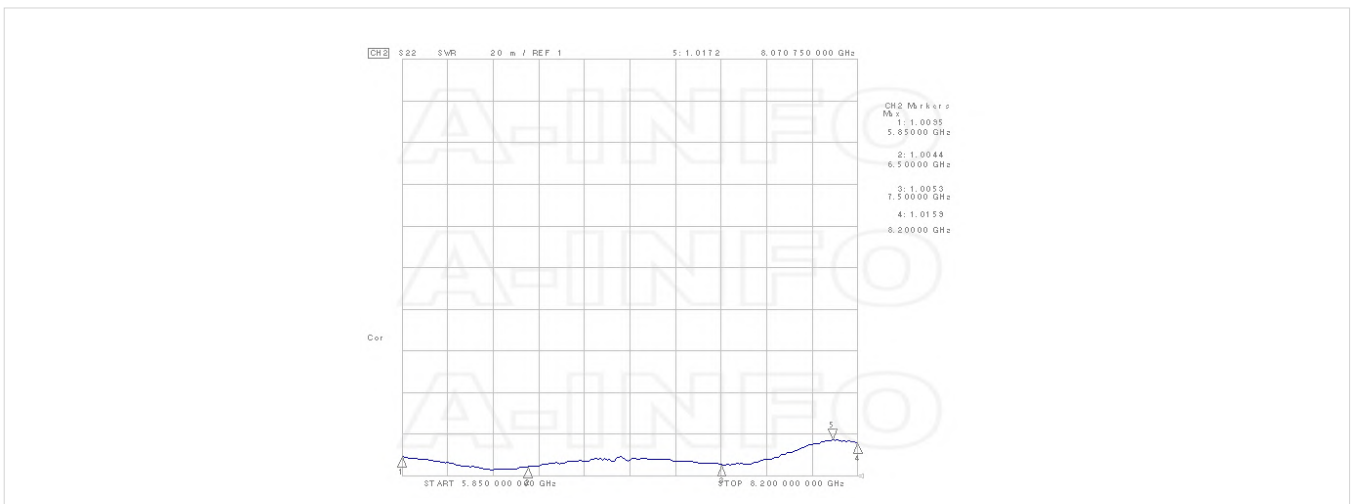


## Flange Drawing



## Typical Test Results

### VSWR



## About this Datasheet

<ul style="list-style-type: none"><li>● <b>Product Information</b></li></ul> <p>Product Link: <a href="https://www.ainfoinc.com/137wpl-wr137-waveguide-precision-load-5-85-8-2-ghz-fdp70-udr70">https://www.ainfoinc.com/137wpl-wr137-waveguide-precision-load-5-85-8-2-ghz-fdp70-udr70</a> Data subject to change without notice. © A-INFO INC. 2024. All Rights Reserved</p>	<ul style="list-style-type: none"><li>● <b>Contact Us</b></li></ul> <p>Address: 60 Tesla, Irvine, CA 92618, USA</p> <p>Website: <a href="http://www.ainfoinc.com">www.ainfoinc.com</a></p> <p>Email: <a href="mailto:sales@ainfoinc.com">sales@ainfoinc.com</a></p>	<ul style="list-style-type: none"><li>● <b>Phone &amp; Fax</b></li></ul> <p>Phone: +1-949-639-9688 +1-949-639-9608</p> <p>Fax: +1-949-639-9670</p>
--	---	--