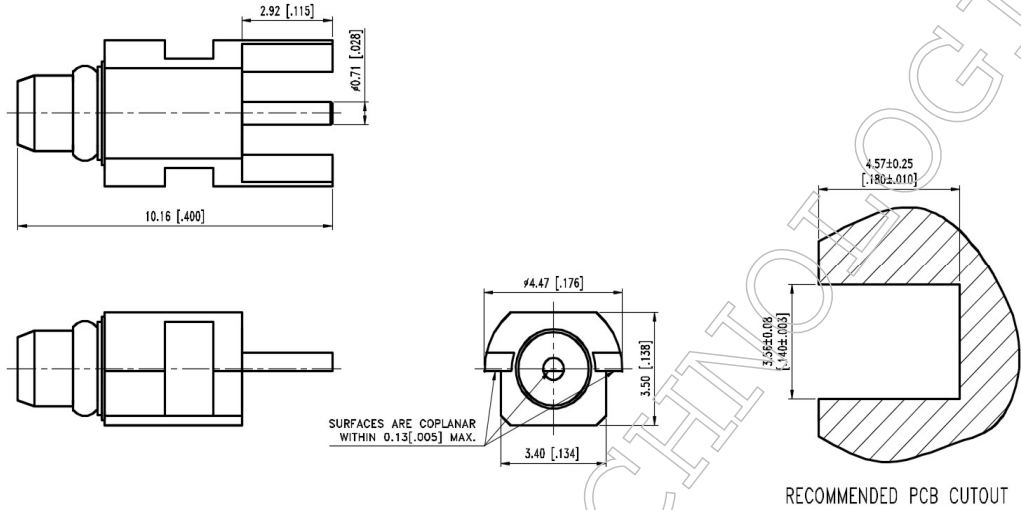


▪ **Outline Dimension Drawing**

Dimensions: mm[inch]



▪ **Material Specification**

| Description | Material | Plating |
|----------------|----------|---------|
| Body | BeCu | Gold |
| Contact | BeCu | Gold |
| Dielectric | PTFE | |
| Retaining ring | BeCu | Gold |

In the effort to improve our products, we reserve the right to make changes judged to be necessary



▪ **Electrical Specification**

| Description | | Description | |
|---------------------------------|---------------|--------------------------|----------------------|
| Impedance | 50 Ω | Insulation Resistance | 1000 M Ω Min. |
| Frequency | 6 GHz | Inner Contact Resistance | 5 m Ω Max. |
| VSWR | 1.25 Max. | Outer Contact Resistance | 2.5 m Ω Max. |
| Insertion Loss | 0.25 dB Max. | | |
| Voltage Rating | 250 Vrms Max. | | |
| Dielectric Withstanding Voltage | 500 Vrms Max. | | |

▪ **Mechanical Specification**

| Description | | Description | |
|--------------------------|---------------|-------------|--|
| Engagement Force | 3.4 lbs. Max. | | |
| Disengagement Force | 1.4~3.4 lbs. | | |
| Center Contact | | | |
| Axial Force-Mating End | 2.3 lbs. | | |
| Axial Force-Opposite End | N/A lbs. | | |
| Connector Durability | 500 cycles | | |
| Weight | N/A g | | |

▪ **Environmental Specification**

| Description | | Description | |
|------------------|------------------|-------------|--|
| Temperature Min. | -55 $^{\circ}$ C | | |
| Temperature Max. | 155 $^{\circ}$ C | | |
| Hermetic Seal | N/A | | |

In the effort to improve our products, we reserve the right to make changes judged to be necessary