



75WET WR75 Waveguide E-Plane Tee 10-15GHz with Three Rectangular Waveguide Interfaces

WR75 Waveguide E-Plane Tee Operating From 10 to 15GHz with Three Rectangular Waveguide Interfaces

Product Information

| | |
|-----|-------|
| SKU | 75WET |
|-----|-------|

Description

Waveguide E-plane tee 75WET, operating from 10 to 15GHz with a 0.3dB insertion loss and low VSWR 1.50:1. 75WET is a three-ports waveguide connector. All the ports have standard WR75 waveguides with the same flanges FBP120(UBR120). The waveguide E-plane tees are used to separate the signal at E plane rectangular port into the collinear arm with the two rectangular waveguide ports or synthesize the signal from the two ports of the collinear arm into the E plane port.

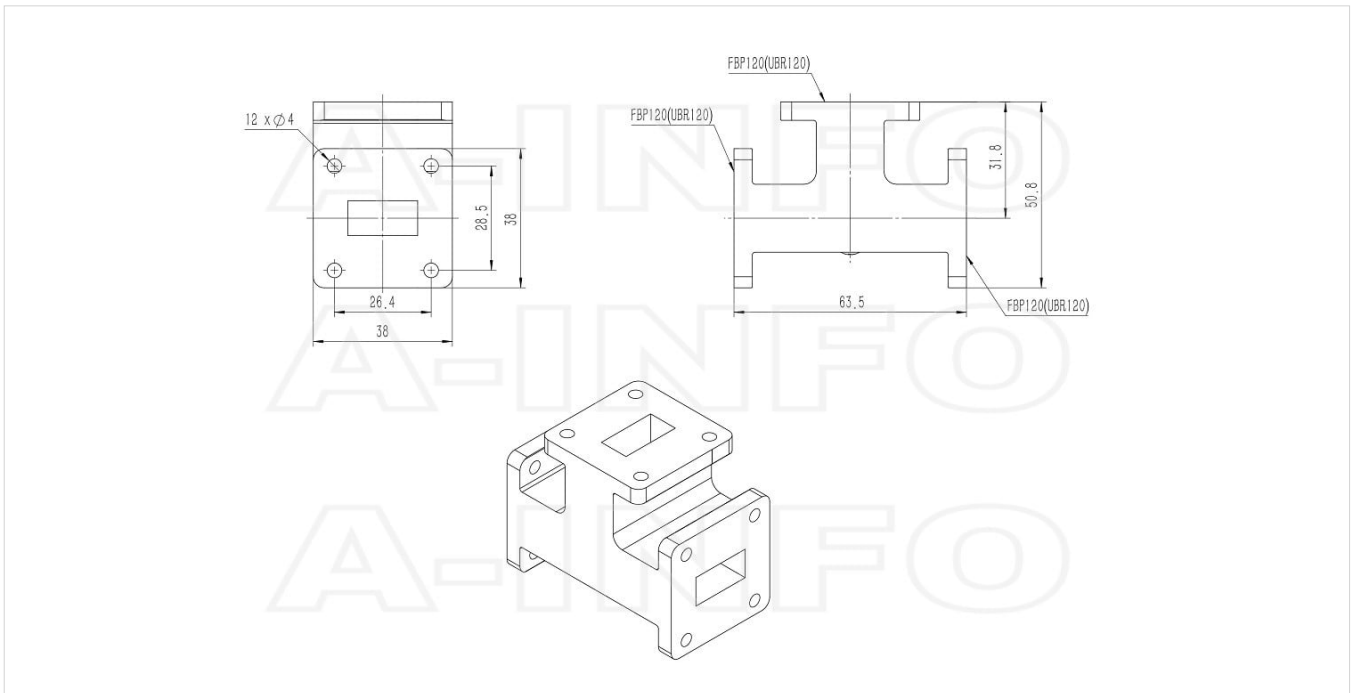
Technical Specification

| | | | |
|---------------------------------|----------------|------------------------------------|--|
| Electrical Specification | | Interface | |
| WG Tee Type | E-Plane Tee | Flange 3 Style | Square |
| Waveguide Band | X Ku | Flange 3 Type | Cover |
| Waveguide Type | Rectangular | Flange 3 Designation | FBP120(UBR120) |
| Waveguide Size EIA WR | WR75 | Mechanical Specification | |
| Frequency, Min (GHz) | 10 | Body Material | Al |
| Frequency, Max (GHz) | 15 | Finish | Chemical Conversion Coating, Gray Paint |
| I.L., Typ (dB) | 0.3 | Size, L (mm) | 63.5 |
| I.L., Max (dB) | 0.4 | Size, W (mm) | 38 |
| VSWR, Typ | 1.50:1 | Size, H (mm) | 50.75 |
| Amplitude Balance, Max (±dB) | 0.25 | Weight, (kg) | 0.07 |
| Phase Balance, Max (Deg.) | 5 | Pressure Sealed | No |
| Power Handling, CW, (W) | 260 | Environmental Specification | |
| Power Handling, Peak, (KW) | 170 | Operating Temp. Low (°C) | -55 |
| Interface | | Operating Temp. High (°C) | 85 |
| Flange 1 Style | Square | Storage Temp. Low (°C) | -60 |
| Flange 1 Type | Cover | Storage Temp. High (°C) | 90 |
| Flange 1 Designation | FBP120(UBR120) | | |
| Flange 2 Style | Square | | |
| Flange 2 Type | Cover | | |
| Flange 2 Designation | FBP120(UBR120) | | |

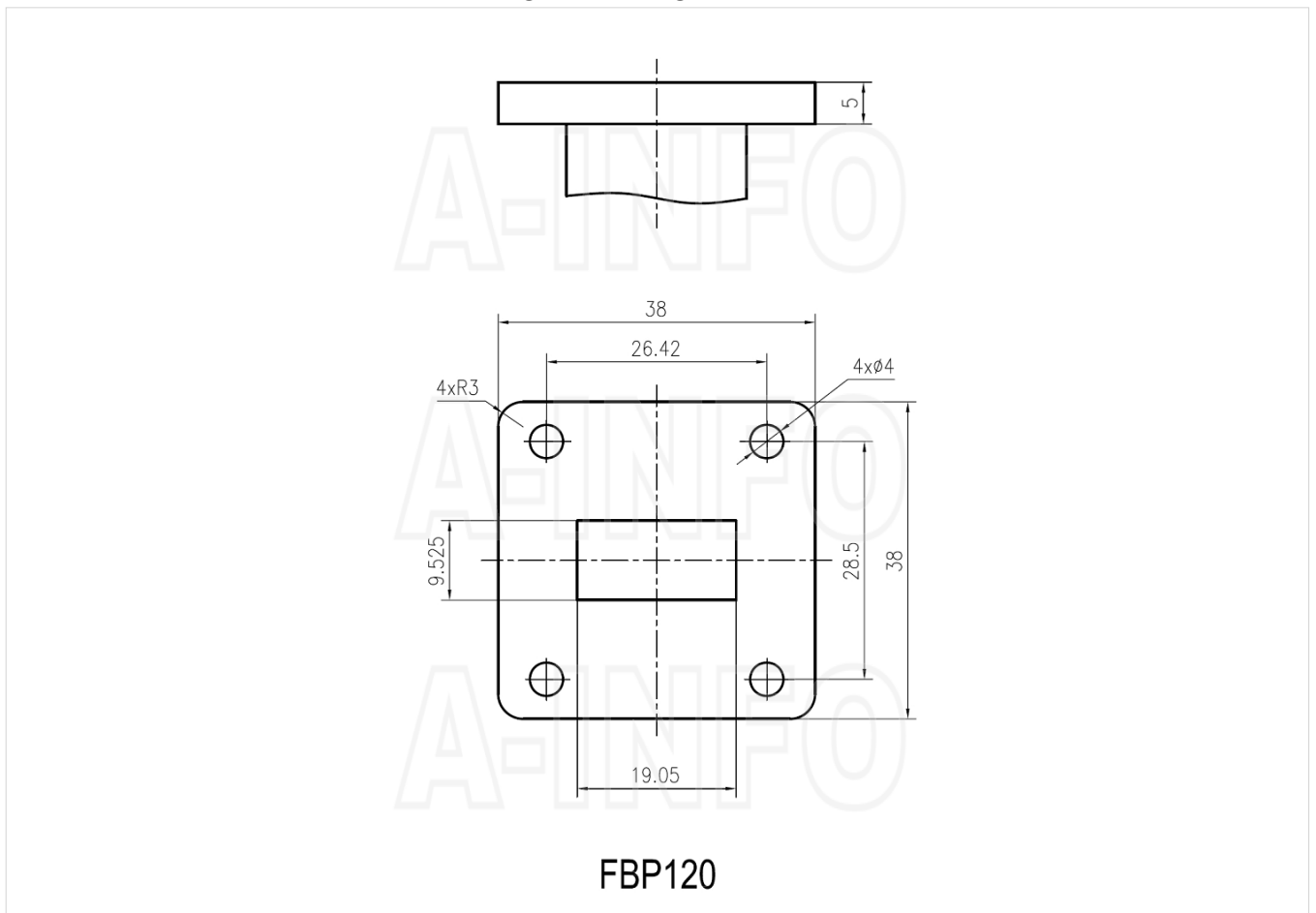
Additional Information

| | |
|-------------|---|
| Application | General Purpose Indoor & Outdoor, Fixed |
|-------------|---|

Outline Drawing(Size: mm)

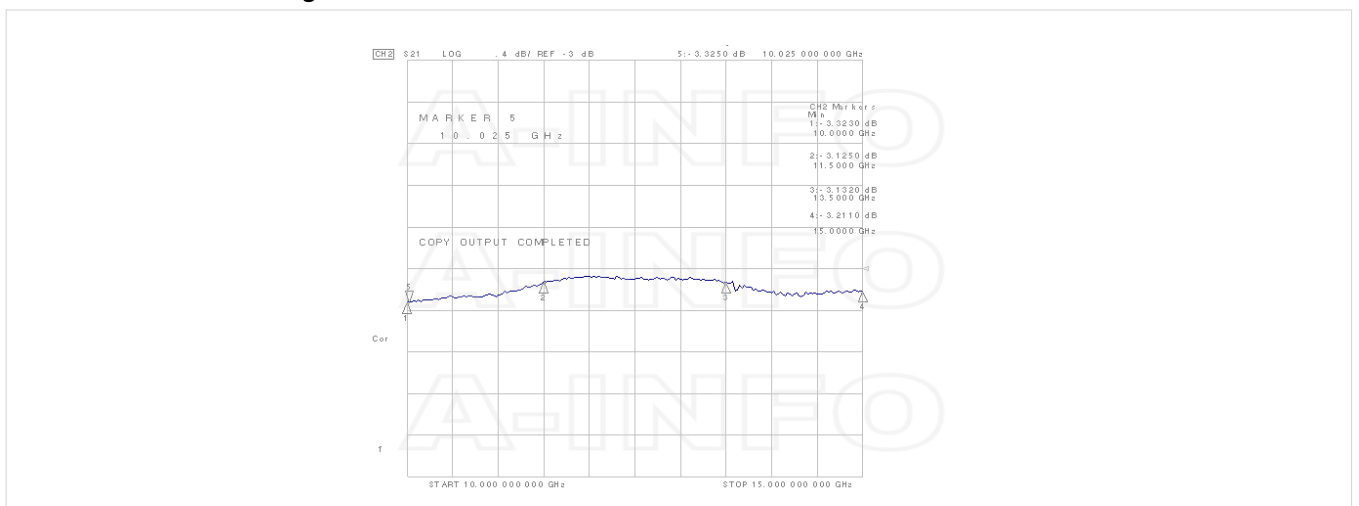


Flange Drawing(Size: mm)

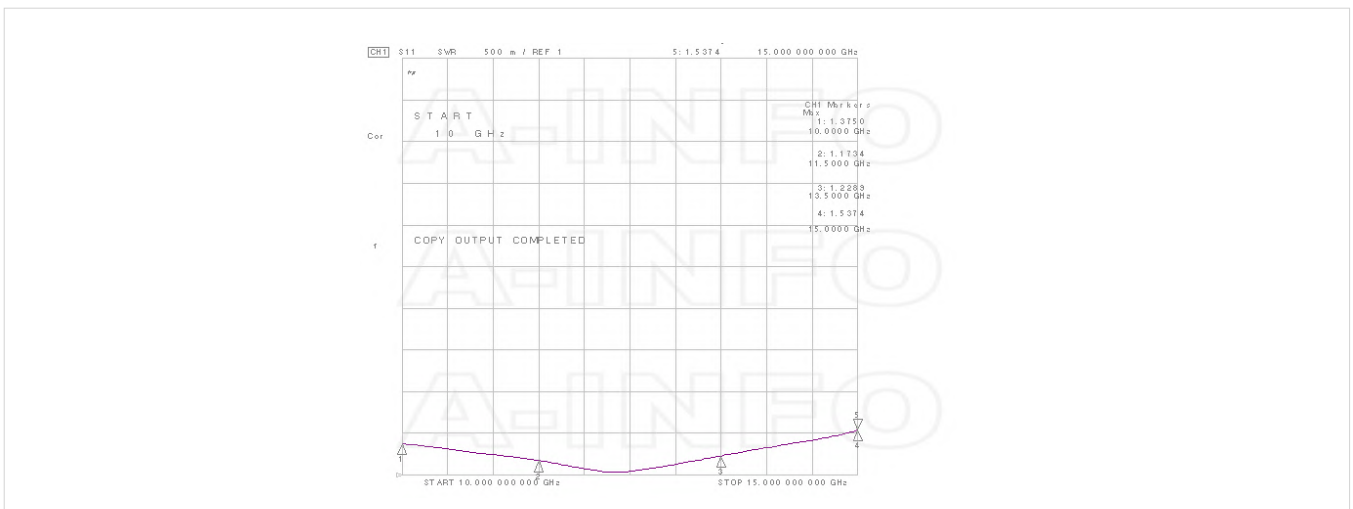


Typical Test Results

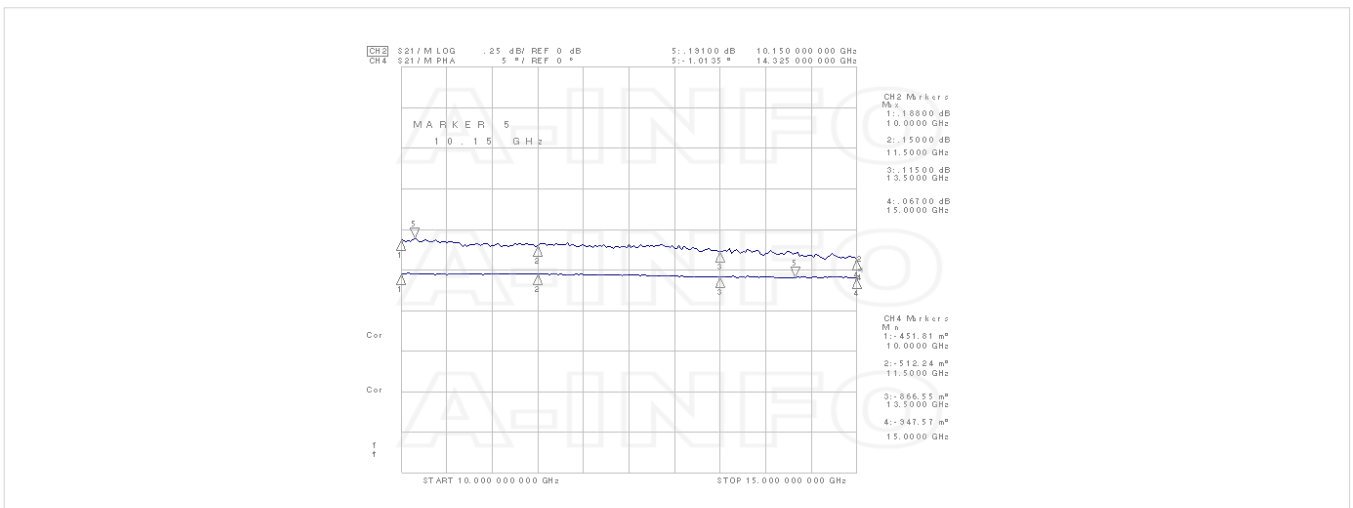
Insertion Loss(Including the theoretical loss 3.0dB)



VSWR



Amplitude Balance & Phase Balance



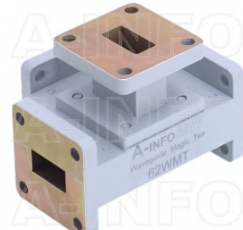
Similar Products



62WET WR62 Waveguide E-Plane Tee 12.4-18GHz with Three Rectangular Waveguide Interfaces



62WHT WR62 Waveguide H-Plane Tee 12.4-18GHz with Three Rectangular Waveguide Interfaces



62WMT WR62 Waveguide Magic Tee 12.4-18GHz with Four Rectangular Waveguide Interfaces



62WMT_BMBPBPB WR62 Waveguide Magic Tee 12.4-18GHz with Four Rectangular Waveguide Interfaces



75WHT WR75 Waveguide H-Plane Tee 10-15GHz with Three Rectangular Waveguide Interfaces



75WHT/C10 WR75 Waveguide H-Plane Tee 10.7-12.75GHz with Three Rectangular Waveguide Interfaces



75WMT WR75 Waveguide Magic Tee 10-15GHz with Four Rectangular Waveguide Interfaces



90WET WR90 Waveguide E-Plane Tee 8.2-12.4GHz with Three Rectangular Waveguide Interfaces



90WHT WR90 Waveguide H-Plane Tee 8.2-12.4GHz with Three Rectangular Waveguide Interfaces



90WMT WR90 Waveguide Magic Tee 8.2-12.4GHz with Four Rectangular Waveguide Interfaces

About this Datasheet

| | | |
|---|--|---|
| <ul style="list-style-type: none"> ● Product Information Product Link: https://www.ainfoinc.com/75wet-wr75-waveguide-e-plane-tee-10-15-ghz-fbp120-ubr120 Data subject to change without notice. © A-INFO INC. 2024. All Rights Reserved | <ul style="list-style-type: none"> ● Contact Us Address: 60 Tesla, Irvine, CA 92618, USA Website: www.ainfoinc.com Email: sales@ainfoinc.com | <ul style="list-style-type: none"> ● Phone & Fax Phone: +1-949-639-9688 +1-949-639-9608 Fax: +1-949-639-9670 |
|---|--|---|