

The MC2 Series features SMA or K connectors with or without internal termination and an operation frequency range of DC to 40 GHz. This series is available with failsafe, latching self-cutoff or pulse latching, TTL, and coil suppression options.



### Specifications

Contact Material	Plated Au
Switching Sequence	Break before Make
Switching Time (max)	15msec
Impedance	50Ω
Temperature Range	-25°C to +65°C (Standard) -55°C to +85°C ("e" option)
Relative Humidity	5 to 85%
Operation Life (cycles)	1,000,000 (Standard)
Vibration (operating)	10G RMS, 20-2000Hz
Mechanical Shock (non-operating)	50G, 1/2 Sine, 11msec
Weight (approx.)	88g

Voltage (VDC)		12	18	24	28
Current (mA)	Failsafe	380	280	200	170

Other options are available upon request.

### Standard

Frequency Range (GHz)	VSWR (max)	Insertion Loss (dB) (max)	Isolation (dB) (min)
DC-6	1.20	0.20	70
6-12	1.30	0.25	70
12-18	1.40	0.40	60
18-26.5	1.70	0.70	55
26.5-32	1.90	0.80	50
32-40	2.00	1.00	50

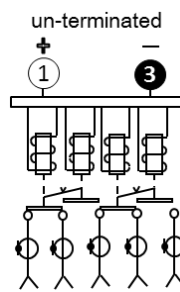
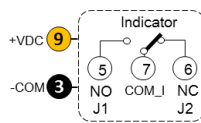
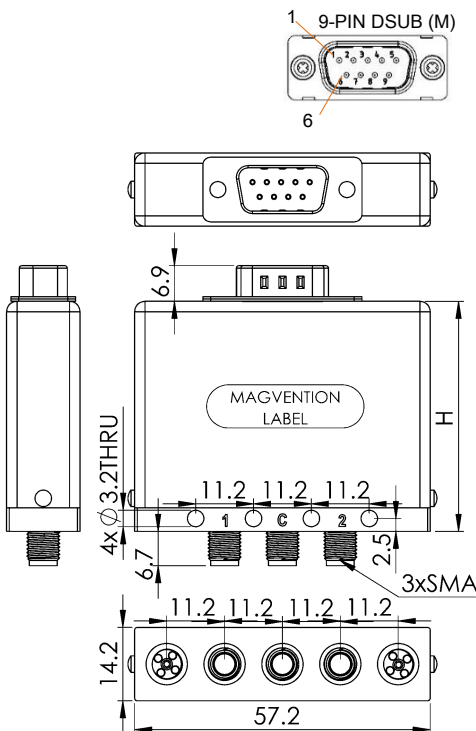


Fig. 1

H = 47 mm (max)  
H = 53 mm (max) for options with TTL and/or self cutoff  
H = 60 mm (max) with Indicators

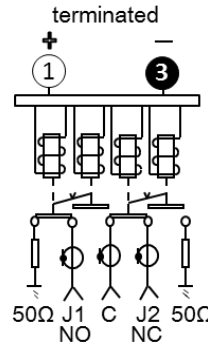


Fig. 2

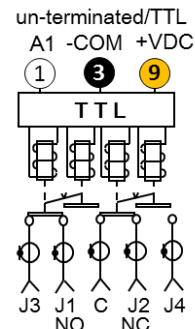


Fig. 3

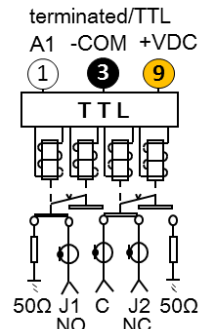


Fig. 4

### Optional Indicator Specifications

Max withstand voltage: 60V  
Max current capacity: 100mA  
Max "ON" resistance: 16Ω

Note: +VDC and -C must be connected to operate.

Solder Pins or DSUB 9

PINOUT	
Pin No.	PINOUT
1	A1/V1 (J1-COM)
2	UNUSED
3	COM-
4	UNUSED
5	1 (IND.)
6	2 (IND.)
7	COM+ (IND.)
8	UNUSED
9	+VDC/+VDCI