

430WLPL WR430 Waveguide Low Power Load 1.7-2.6GHz with Rectangular Waveguide Interface



WR430 Waveguide Low Power Load Operating From 1.7 to 2.6GHz with Rectangular Waveguide Interface

### Product Information

SKU	430WLPL
-----	---------

### Description

Waveguide low power load 430WLPL, operating from 1.7 to 2.6GHz and low VSWR 1.05:1 430WLPL covers the WR430 sub waveguide band and comes with one flange FDP22(UDR22). It can handle 15W continuously and 15KW peak power. The WLPL series are for general version, low VSWR terminations for system application. The typical applications include system or test bench set-ups and small moderate power dummy loads.

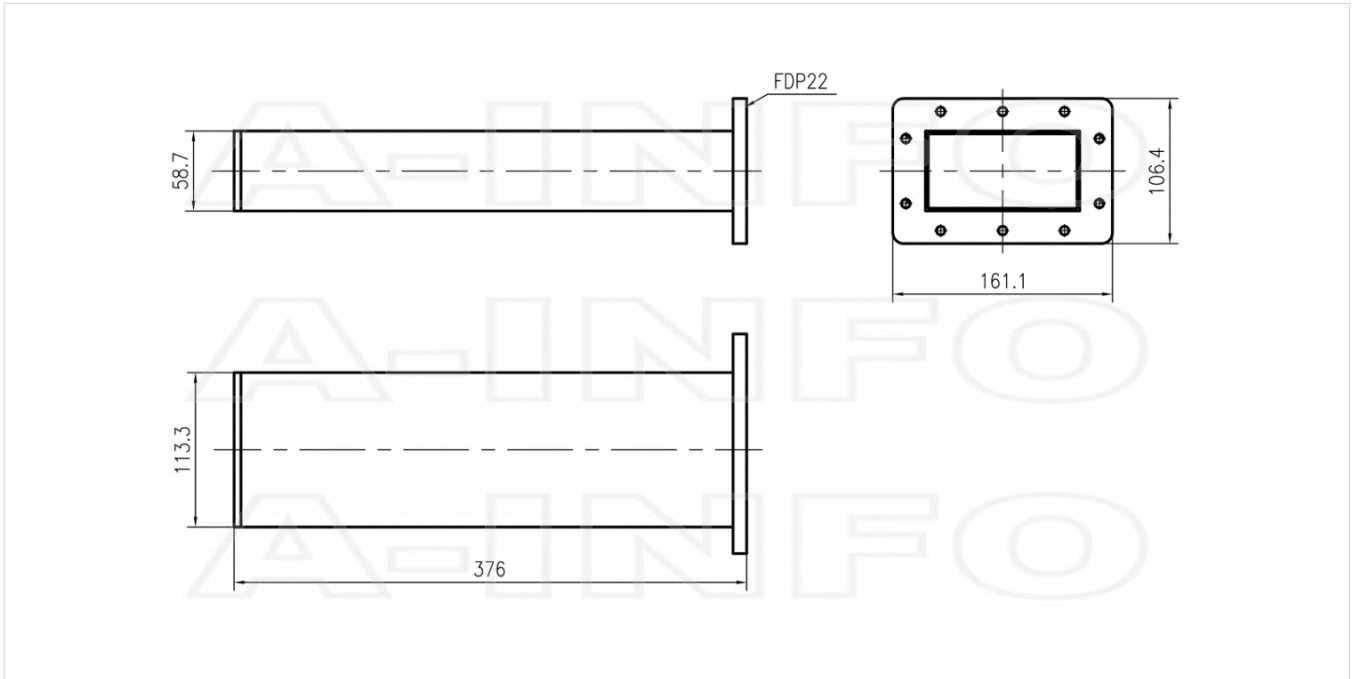
### Technical Specification

Electrical Specification		Mechanical Specification	
WG Load Type	Low Power	Body Material	Al
Waveguide Band	S	Finish	Chemical Conversion Coating, Gray Paint
Waveguide Type	Rectangular	Size, L (mm)	376
Waveguide Size EIA WR	WR430	Size, W (mm)	161.1
Frequency, Min (GHz)	1.7	Size, H (mm)	106.4
Frequency, Max (GHz)	2.6	Weight, (kg)	2.4
VSWR, Typ	1.04:1	Pressure Sealed	No
VSWR, Max	1.05:1	Environmental Specification	
Power Handling, CW, (W)	15	Operating Temp. Low (°C)	-55
Power Handling, Peak, (KW)	15	Operating Temp. High (°C)	85
Interface		Storage Temp. Low (°C)	-60
Flange Style	Rectangular	Storage Temp. High (°C)	90
Flange Type	Cover		
Flange Designation	FDP22(UDR22)		

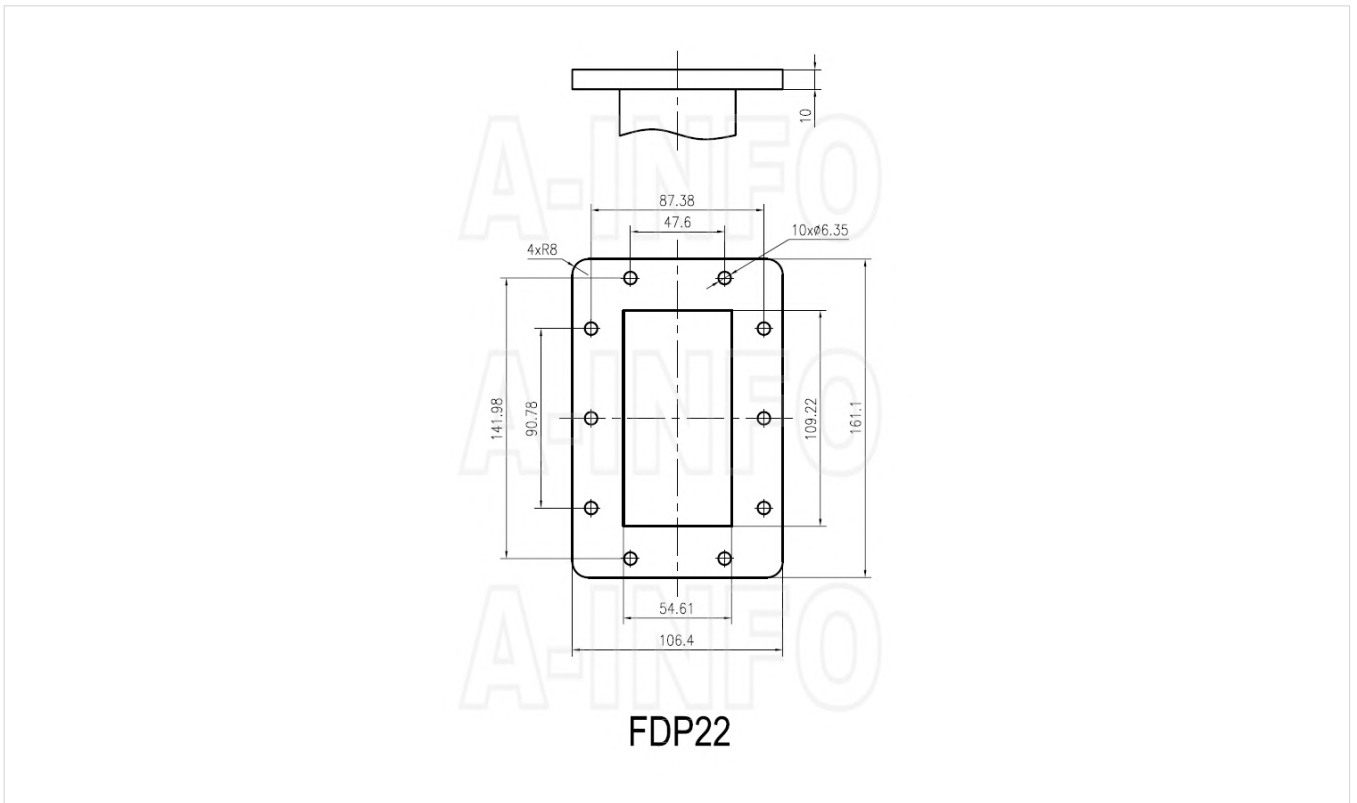
## Additional Information

Application	General Purpose Indoor & Outdoor, Fixed
-------------	---

## Outline Drawing

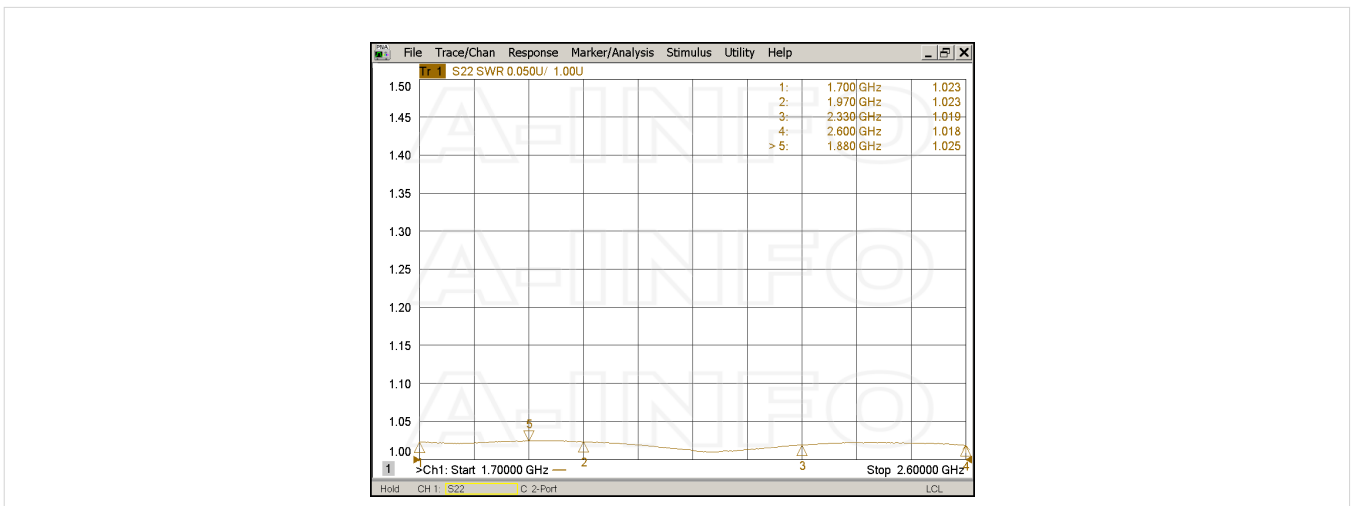


## Flange Drawing



## Typical Test Results

### VSWR



## About this Datasheet

<ul style="list-style-type: none"><li>● <b>Product Information</b></li></ul> <p>Product Link: <a href="https://www.ainfoinc.com/430wpl-wr430-waveguide-low-power-load-1-7-2-6-ghz-fdp22-udr22">https://www.ainfoinc.com/430wpl-wr430-waveguide-low-power-load-1-7-2-6-ghz-fdp22-udr22</a> Data subject to change without notice. © A-INFO INC. 2024. All Rights Reserved</p>	<ul style="list-style-type: none"><li>● <b>Contact Us</b></li></ul> <p>Address: 60 Tesla, Irvine, CA 92618, USA</p> <p>Website: <a href="http://www.ainfoinc.com">www.ainfoinc.com</a></p> <p>Email: <a href="mailto:sales@ainfoinc.com">sales@ainfoinc.com</a></p>	<ul style="list-style-type: none"><li>● <b>Phone &amp; Fax</b></li></ul> <p>Phone: +1-949-639-9688 +1-949-639-9608</p> <p>Fax: +1-949-639-9670</p>
--	---	--