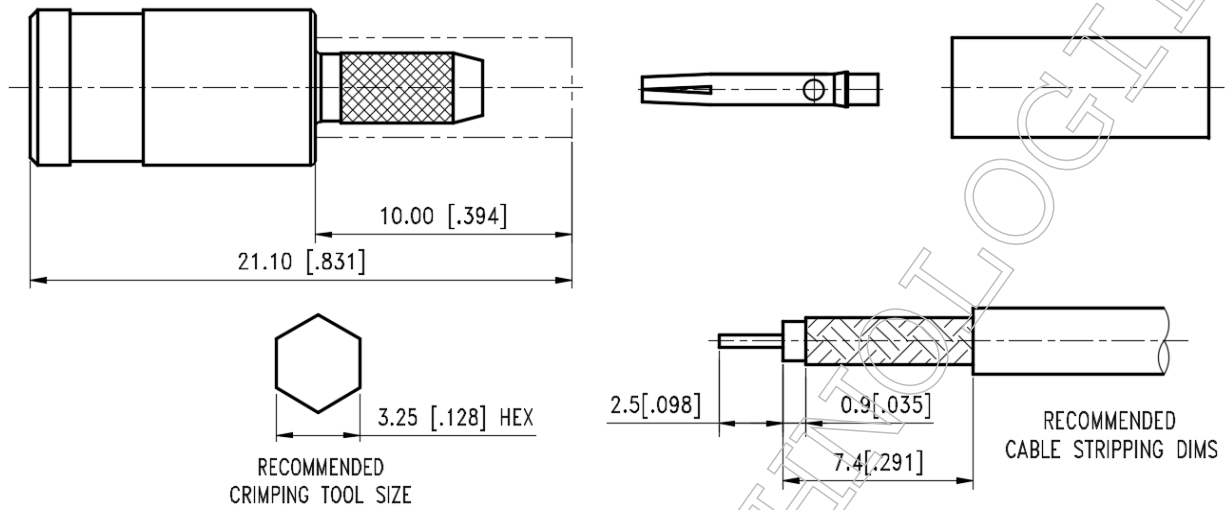


▪ **Outline Dimension Drawing**

Dimensions: mm[inch]



▪ **Material Specification**

Description	Material	Plating
Body*2	Brass	Nickel
Pin	BeCu	Gold
Dielectric	PTFE	
Retaining Ring	BeCu	Nickel
Ferrule	Brass	Nickel

In the effort to improve our products, we reserve the right to make changes judged to be necessary



▪ **Electrical Specification**

Description		Description	
Impedance	50 Ω	Insulation Resistance	1000 MΩ Min.
Frequency	2 GHz	Inner Contact Resistance	5 mΩ Max.
VSWR	1.25 Max.	Outer Contact Resistance	2.5 mΩ Max.
Insertion Loss	0.2 dB Max.		
Voltage Rating	335 Vrms Max.		
Dielectric Withstanding Voltage	750 Vrms Max.		

▪ **Mechanical Specification**

Description		Description	
Center Contact		Recommended Torque	N/A in. lbs
Axial Force-Mating End	N/A lbs.	Engagement Force	14.0 lbs Max.
Axial Force-Opposite End	N/A lbs.	Disengagement Force	4.0 lbs Min.
Connector Durability	500 cycles		
Weight	N/A g		

▪ **Environmental Specification**

Description	
Temperature Min.	-65 °C
Temperature Max.	165 °C
Hermetic Seal	N/A

In the effort to improve our products, we reserve the right to make changes judged to be necessary