

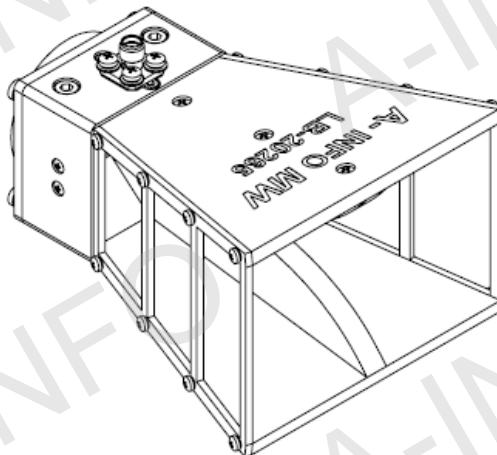
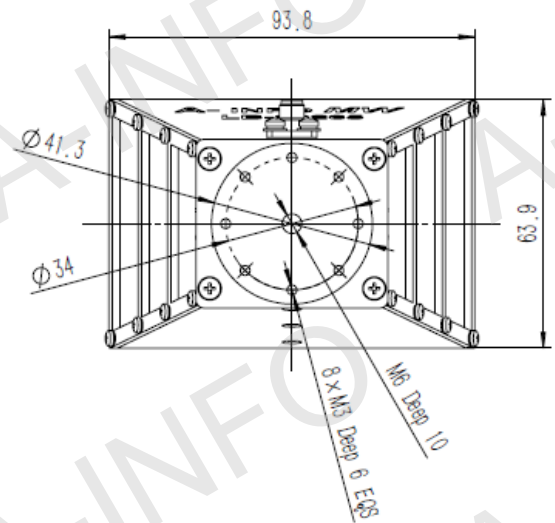
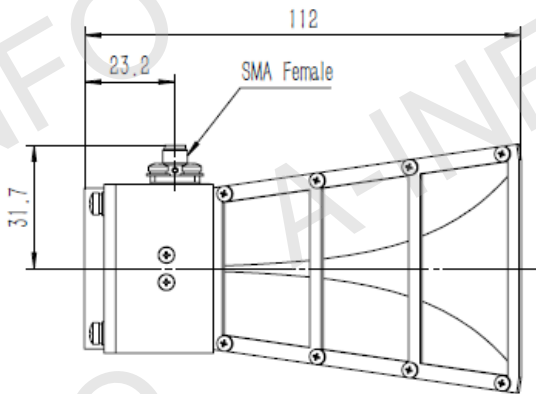
Technical Specification



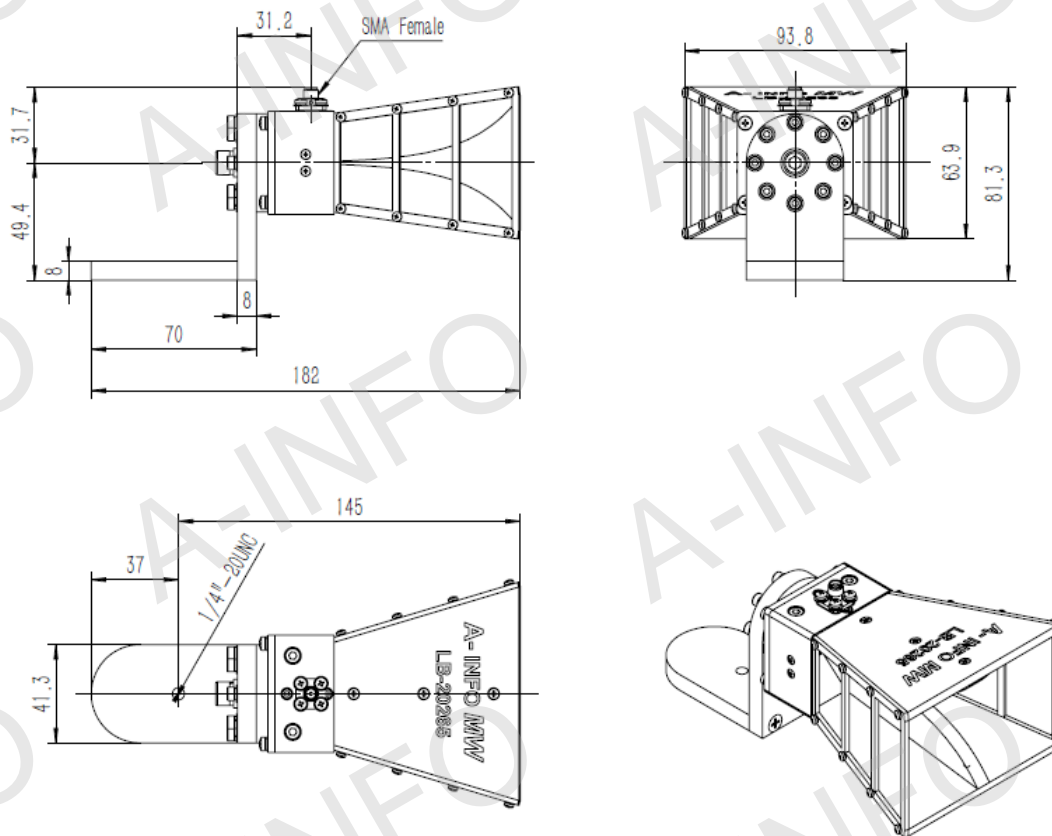
Frequency Range(GHz)	2.0 - 26.5
Gain(dBi)	13 Typ.
Polarization	Linear
3dB Beamwidth(deg)	E Plane: 111 - 24
	H Plane: 86 - 18
Cross Pol. Isolation(dB)	35 Typ.
VSWR	1.5:1 Typ.
	2.5:1 Max.
Connector	SMA-Female
Power Handling(W)	50 Max. CW
Size(mm)	93.8 x 63.9 x 112
Net Weight(Kg)	0.34 Around

Outline Drawing (Size: mm)

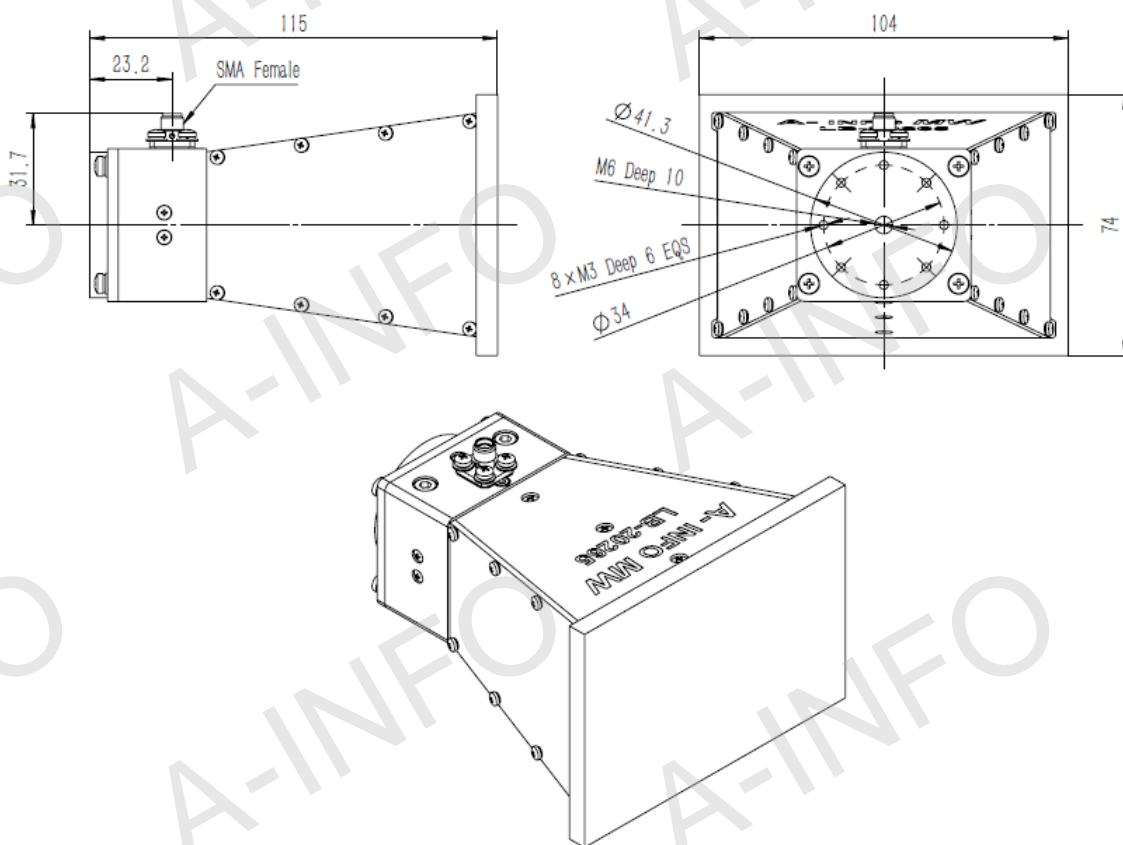
SMA-Female Output



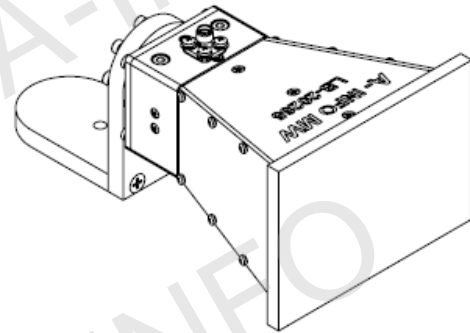
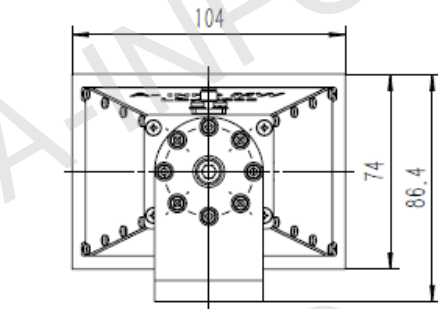
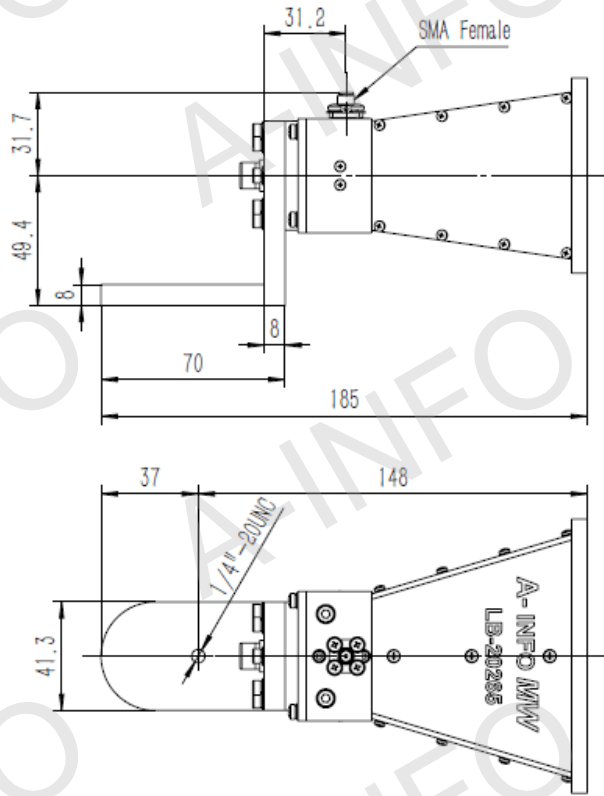
SMA-Female Output with L Type Mounting Bracket



SMA-Female Output with Radome

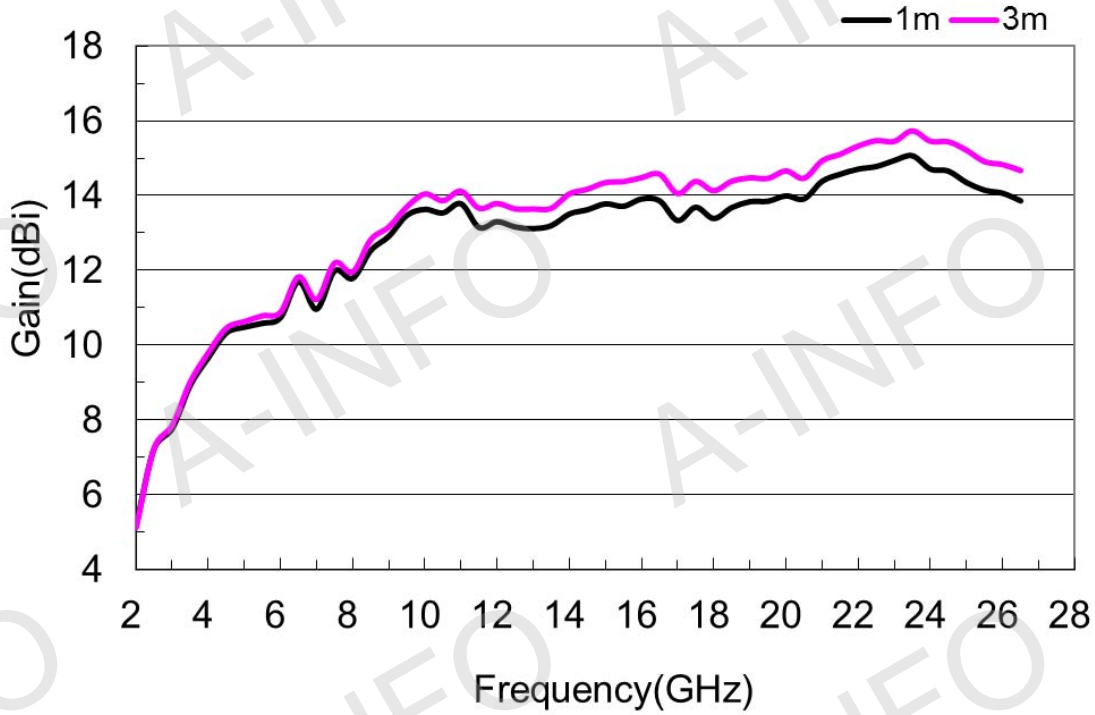


SMA-Female Output with L Type Mounting Bracket & Radome

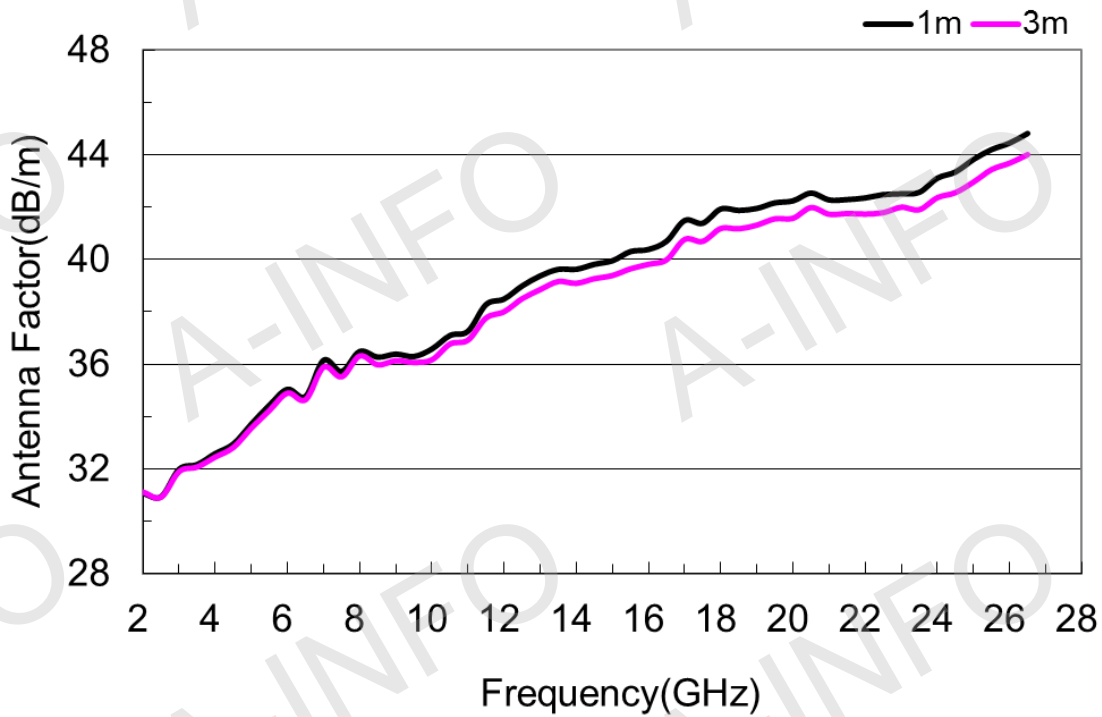


Test Results

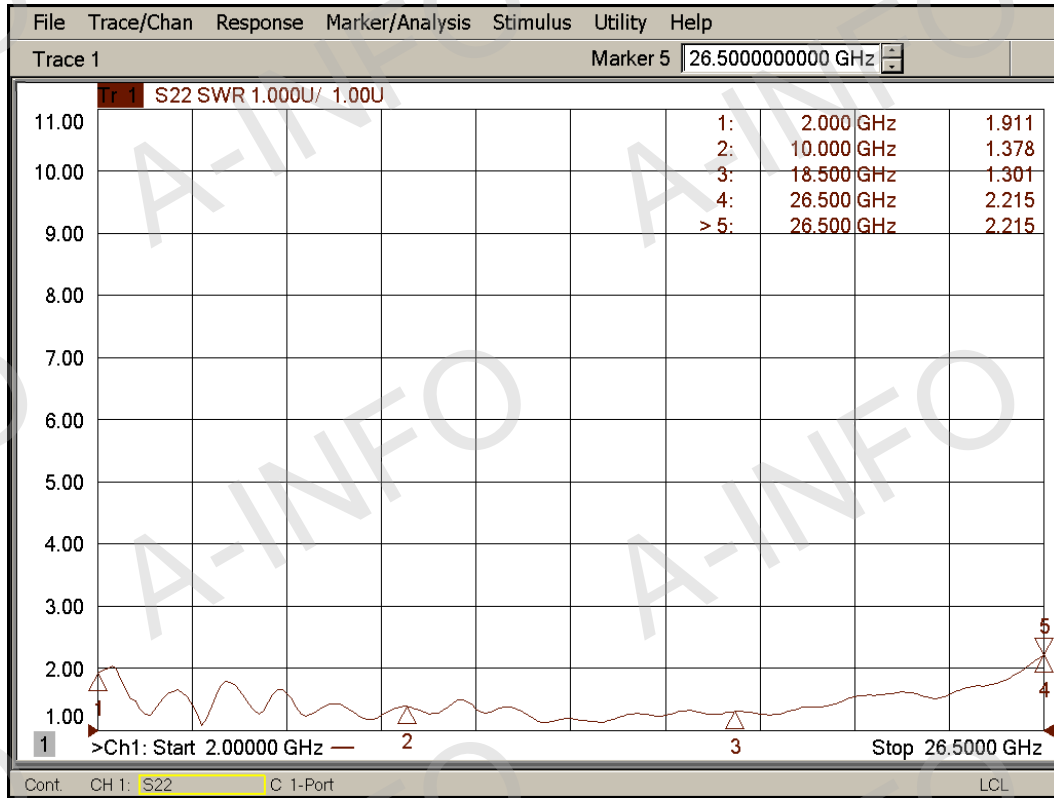
1. Gain



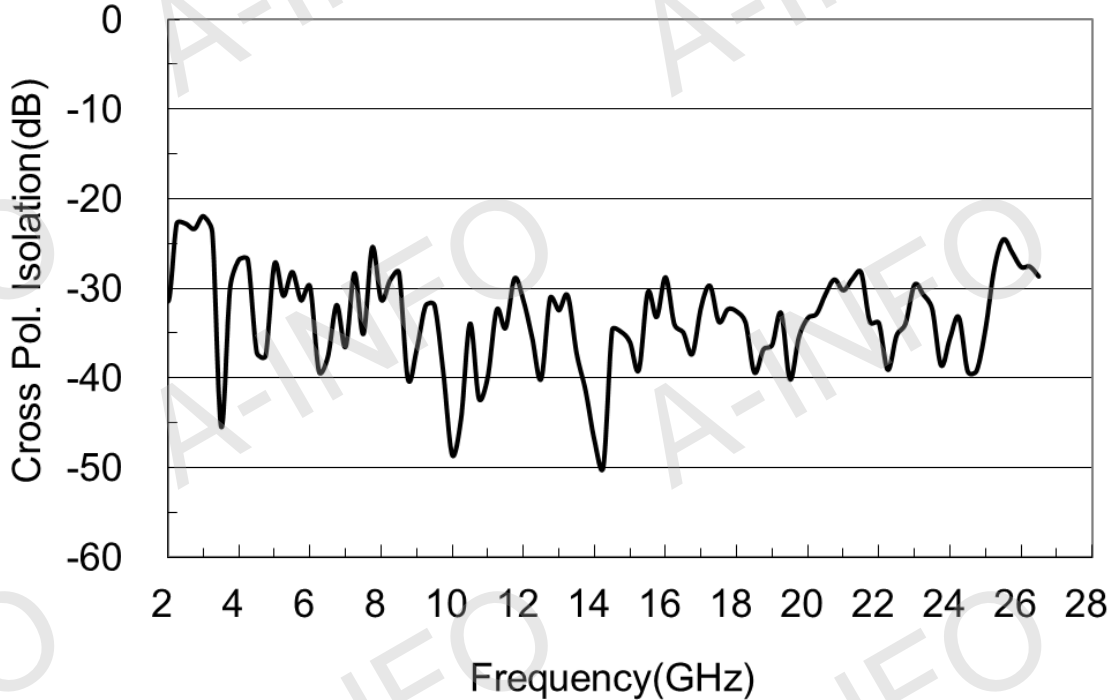
2. Antenna Factor



3. VSWR



4. Cross Pol. Isolation



5. Pattern

