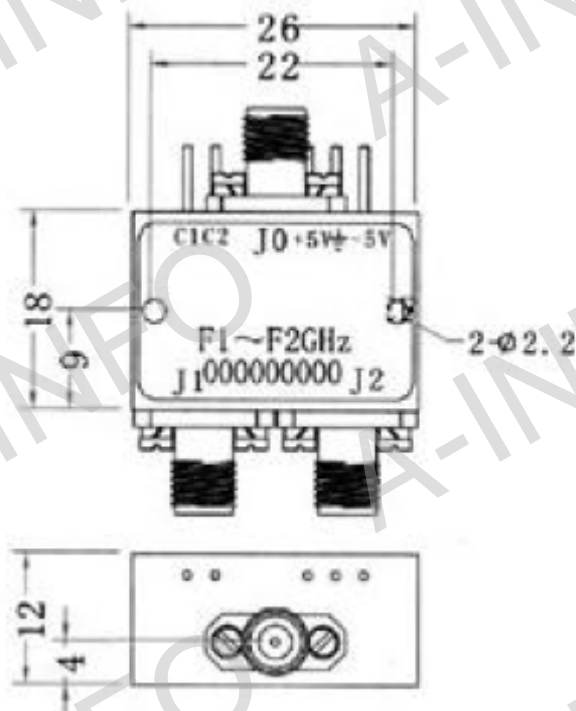


Outline Drawing (Size: mm)



Technical Specification

Item	Technical Specification
Frequency(GHz)	12-18
Insertion Loss(dB)	3.2 max
VSWR	2.0 max
Isolation(dB)	60 min
Switching Speed(ns)	50 max
Power Handling(W)	0.2 max
Power Supply(V)	±5
Connectors	SMA- Female
Operating Temperature(°C)	-55 ~ +85

Test Results Table

Item	Test Results	
	J0-J1	J0-J2
Frequency(GHz)	12-18	12-18
Insertion Loss(dB)	2.68 max	2.93 max
VSWR	1.57 max	1.67 max
Isolation(dB)	65 min	68 min
Switching Speed(ns)	50 max	50 max
Power Handling(W)	0.2 max	0.2 max
Power Supply(V)	±5	±5
Connectors	SMA- Female	SMA- Female
Operating Temperature(°C)	-55 ~ +85	-55 ~ +85