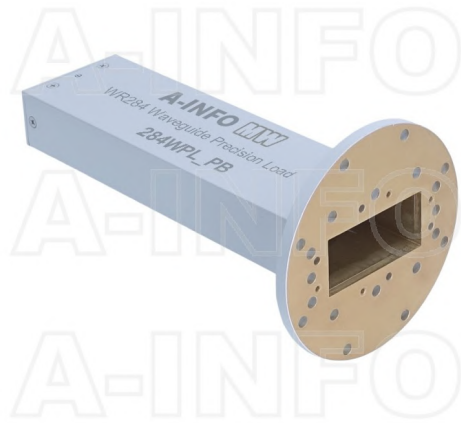


284WPL\_PB WR284 Waveguide Precision Load 2.6-3.95GHz with Rectangular Waveguide Interface



WR284 Waveguide Precision Load Operating From 2.6 to 3.95GHz with Rectangular Waveguide Interface

### Product Information

|     |           |
|-----|-----------|
| SKU | 284WPL_PB |
|-----|-----------|

### Description

Waveguide precision load 284WPL\_PB, operating from 2.6 to 3.95GHz and low VSWR 1.025:1. 284WPL\_PB covers the 284WPL\_PB sub waveguide band and comes with one flange APF284B. It can handle 10 continuously and 10 peak power. A-INFO Precision Flange(APF) is available for this series. The WPL series low power waveguide fixed terminations are precision, low VSWR terminations suited to a wide variety of precision laboratory applications. The typical applications include full band one-Interface calibration and full two-Interface, isolation calibration. TRM (Thru-Reflect-Match) and SSLT (Short-Short-Load- Thru) calibration methods are supInterfaceed.

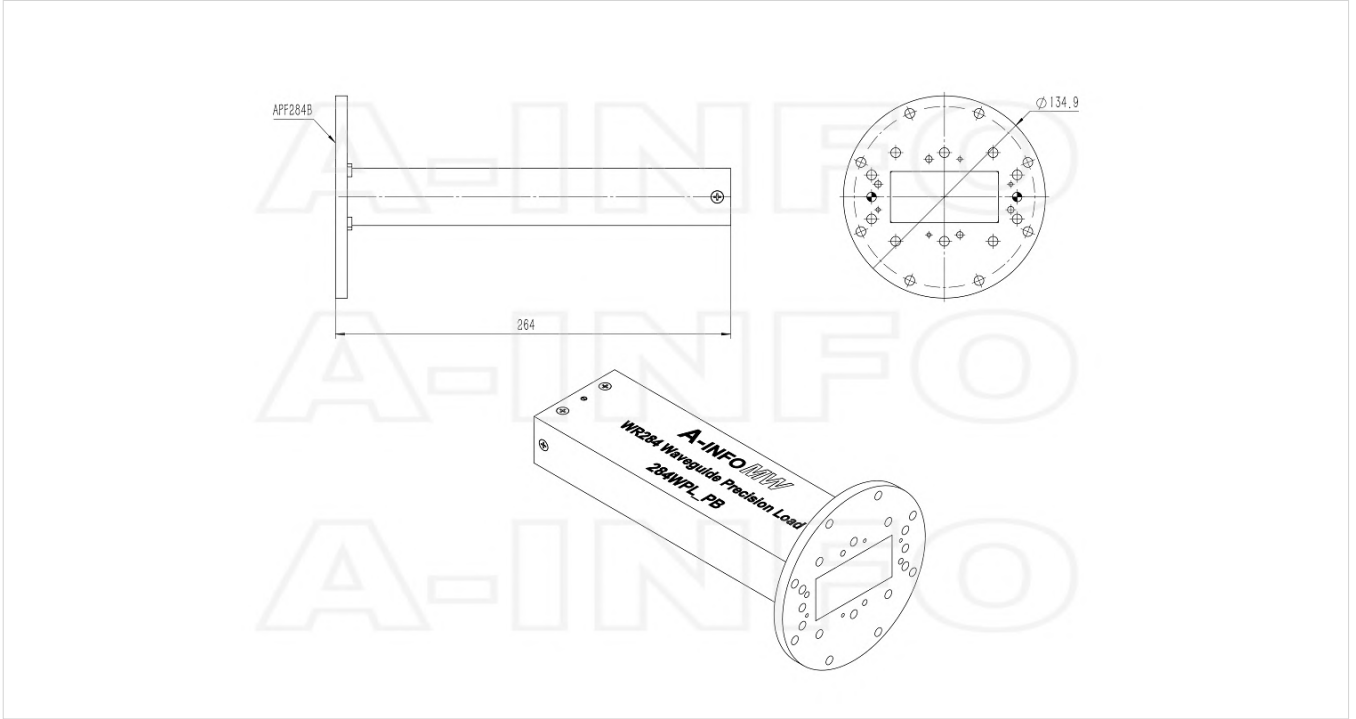
### Technical Specification

| Electrical Specification   |             | Mechanical Specification    |       |
|----------------------------|-------------|-----------------------------|-------|
| WG Load Type               | Precision   | Body Material               | Al    |
| Waveguide Band             | S           | Size, L (mm)                | 264   |
| Waveguide Type             | Rectangular | Size, W (mm)                | 134.9 |
| Waveguide Size EIA WR      | WR284       | Size, H (mm)                | 134.9 |
| Frequency, Min (GHz)       | 2.6         | Weight, (kg)                | 0.95  |
| Frequency, Max (GHz)       | 3.95        | Pressure Sealed             | No    |
| VSWR, Typ                  | 1.02:1      | Environmental Specification |       |
| VSWR, Max                  | 1.025:1     | Operating Temp. Low (°C)    | -55   |
| Power Handling, CW, (W)    | 10          | Operating Temp. High (°C)   | 85    |
| Power Handling, Peak, (KW) | 10          | Storage Temp. Low (°C)      | -60   |
|                            |             | Storage Temp. High (°C)     | 90    |
| Interface                  |             |                             |       |
| Flange Style               | Round       |                             |       |
| Flange Type                | Cover       |                             |       |
| Flange Designation         | APF284B     |                             |       |

## Additional Information

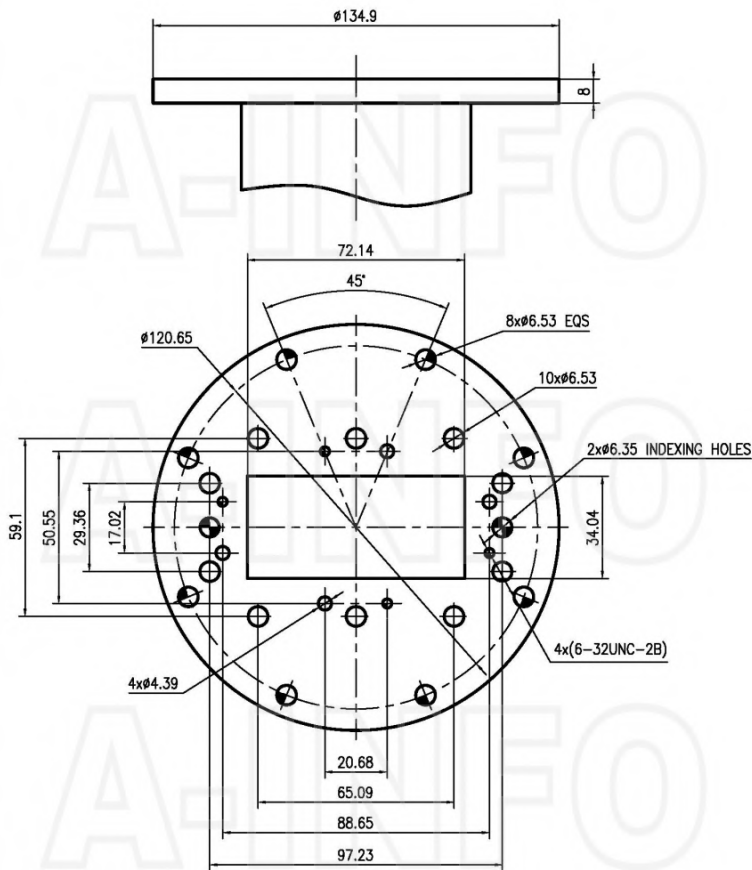
|             |   |
|-------------|---|
| Application | General Purpose Indoor & Outdoor, Fixed |
|-------------|---|

## Outline Drawing



## Flange Drawing

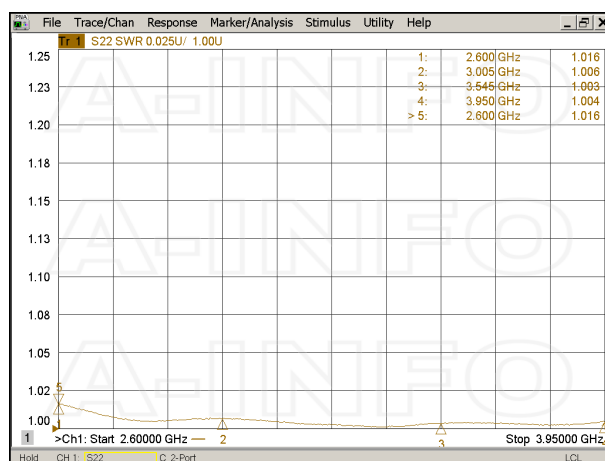




APF284B

## Typical Test Results

### VSWR



### About this Datasheet

|   |  |   |
|---|--|---|
| <ul style="list-style-type: none"><li>● <b>Product Information</b><br/>Product Link:<br/><a href="https://www.ainfoinc.com/284wpl-pb-wr284-waveguide-precision-load-2-6-3-95-ghz-apf284b">https://www.ainfoinc.com/284wpl-pb-wr284-waveguide-precision-load-2-6-3-95-ghz-apf284b</a><br/>Data subject to change without notice.<br/>© A-INFO INC. 2024. All Rights Reserved</li></ul> | <ul style="list-style-type: none"><li>● <b>Contact Us</b><br/>Address:<br/>60 Tesla, Irvine, CA 92618,<br/>USA<br/><br/>Website:<br/><a href="http://www.ainfoinc.com">www.ainfoinc.com</a><br/><br/>Email:<br/><a href="mailto:sales@ainfoinc.com">sales@ainfoinc.com</a></li></ul> | <ul style="list-style-type: none"><li>● <b>Phone &amp; Fax</b><br/>Phone:<br/>+1-949-639-9688<br/>+1-949-639-9608<br/><br/>Fax:<br/>+1-949-639-9670</li></ul> |
|---|--|---|