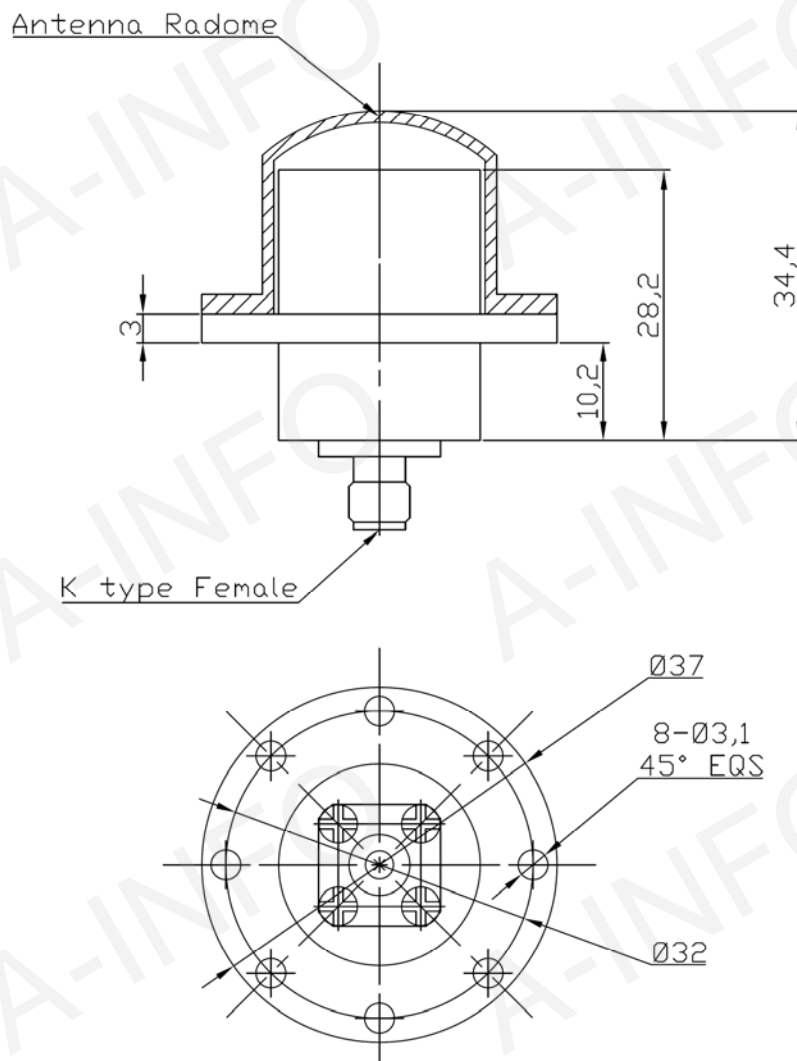


Technical Specification



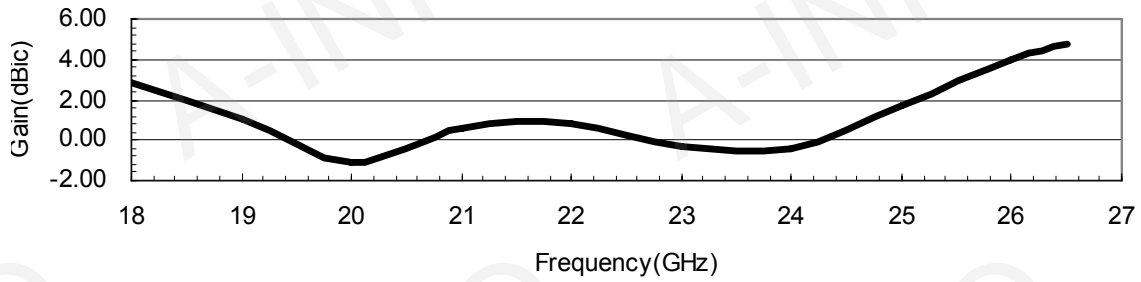
| | |
|----------------------|----------------|
| Polarization | LHCP or RHCP |
| Frequency Range(GHz) | 18.0 - 26.5 |
| Gain(dBic) | 2.84 @ 18GHz |
| | 0.85 @ 22GHz |
| | 4.73 @ 26.5GHz |
| Axial Ratio(dB) | 3.5 Max |
| 3dB Beamwidth(deg) | E: 100 - 45 |
| | H: 90 - 55 |
| VSWR | 2.0 : 1 Typ. |
| | 3.0 : 1 Max |
| Connector | 2.92mm-Female |
| Size(mm) | Φ37 x 34.4 |
| Net Weight(Kg) | 0.05 Around |

Outline Drawing (Size: mm)

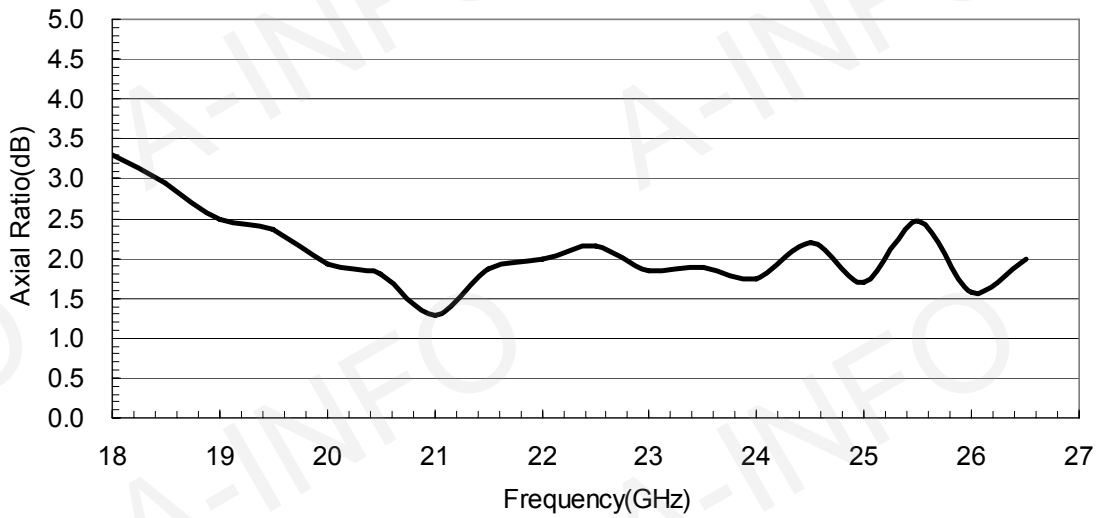


Test Results

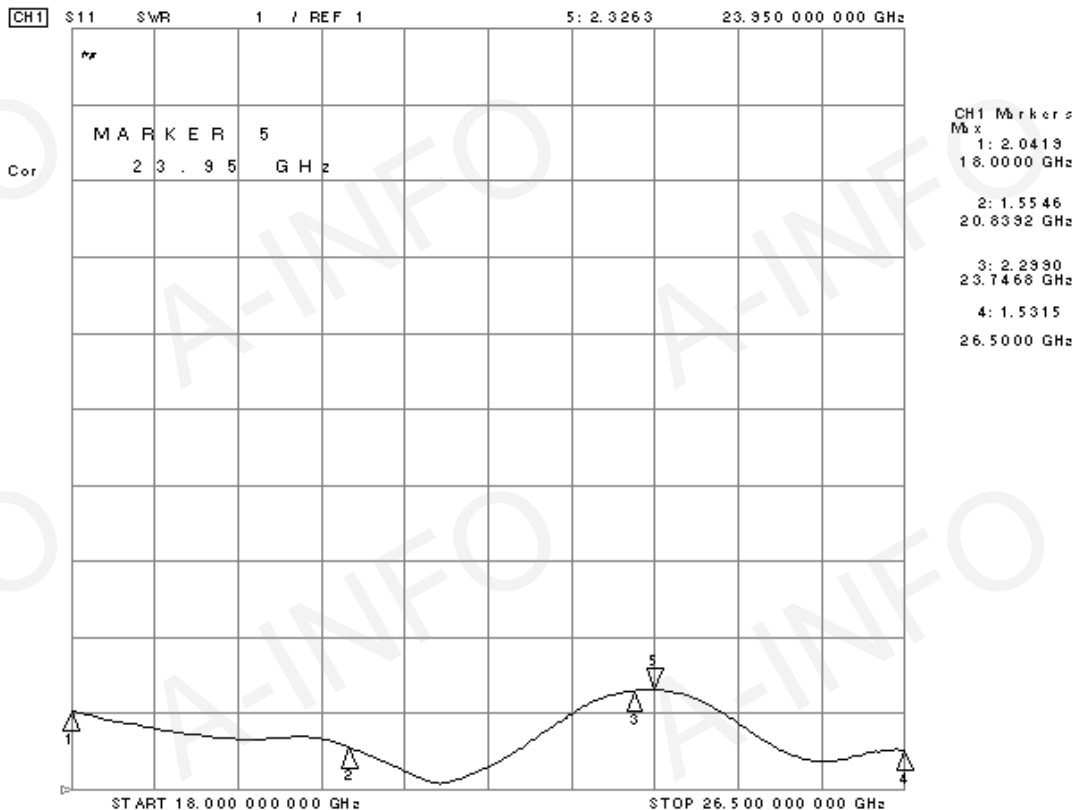
1. Gain



2. Axial Ratio



3. VSWR



4. Pattern

