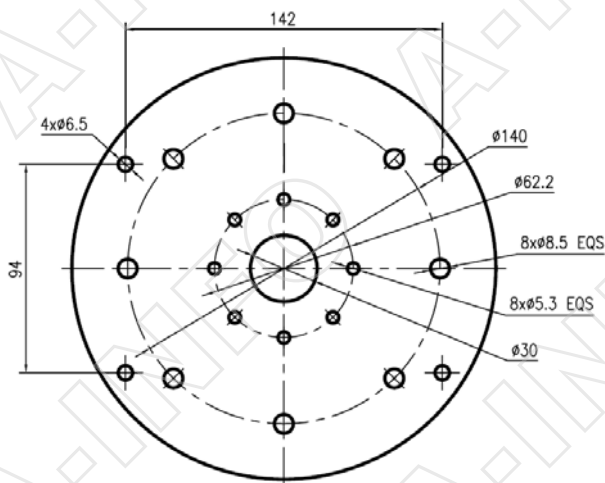
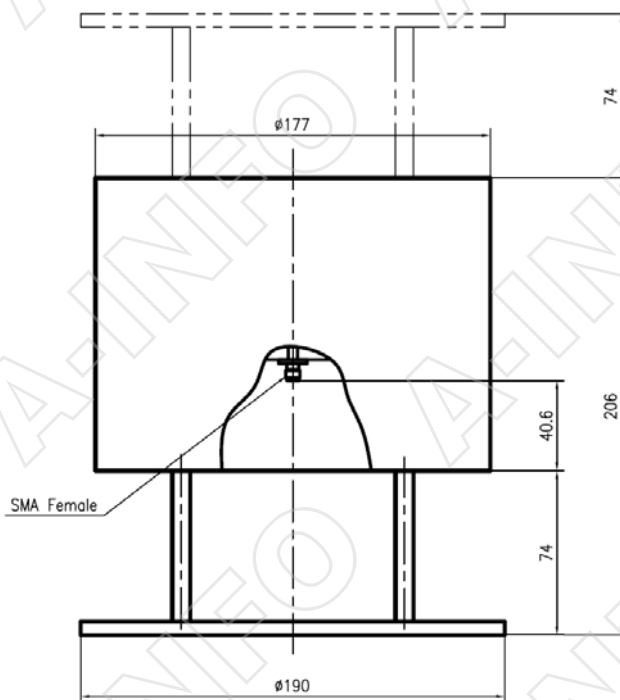


Technical Specification



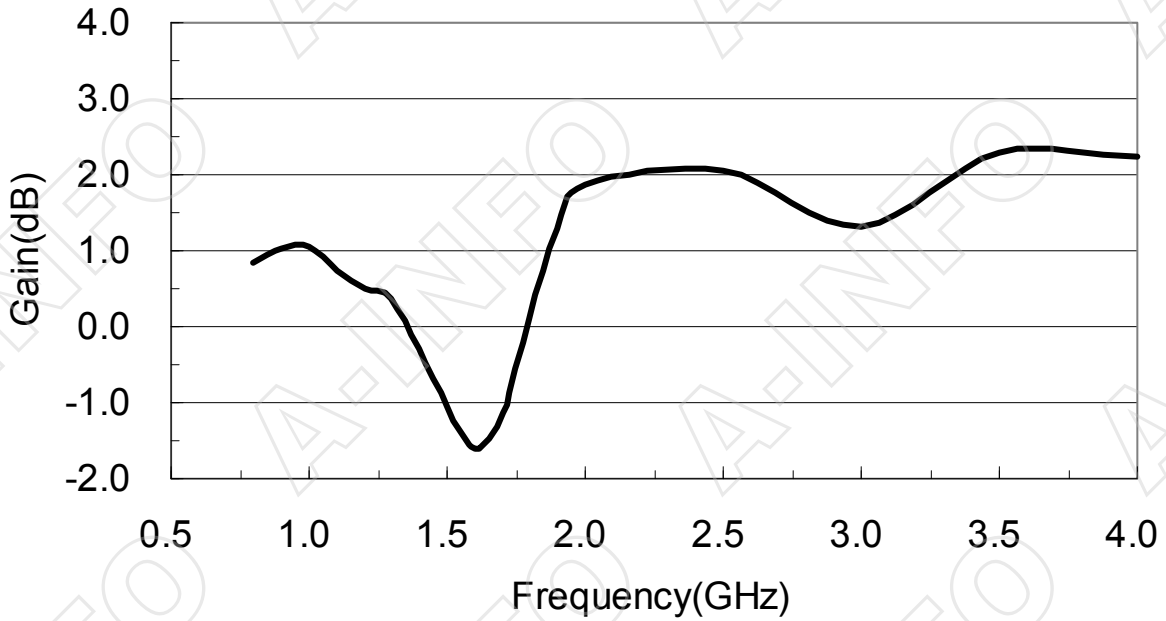
Frequency Range(GHz)	0.8 - 4.0
Polarization	Vertical
Gain(dB)	0 Typ.
VSWR	2:1 Max
Power (W)	50 CW
Connector	SMA-Female
Size(mm)	(Φ)190 x (H)206 approx.
Net Weight(Kg)	1.6 Around

Outline Drawing (Size: mm)

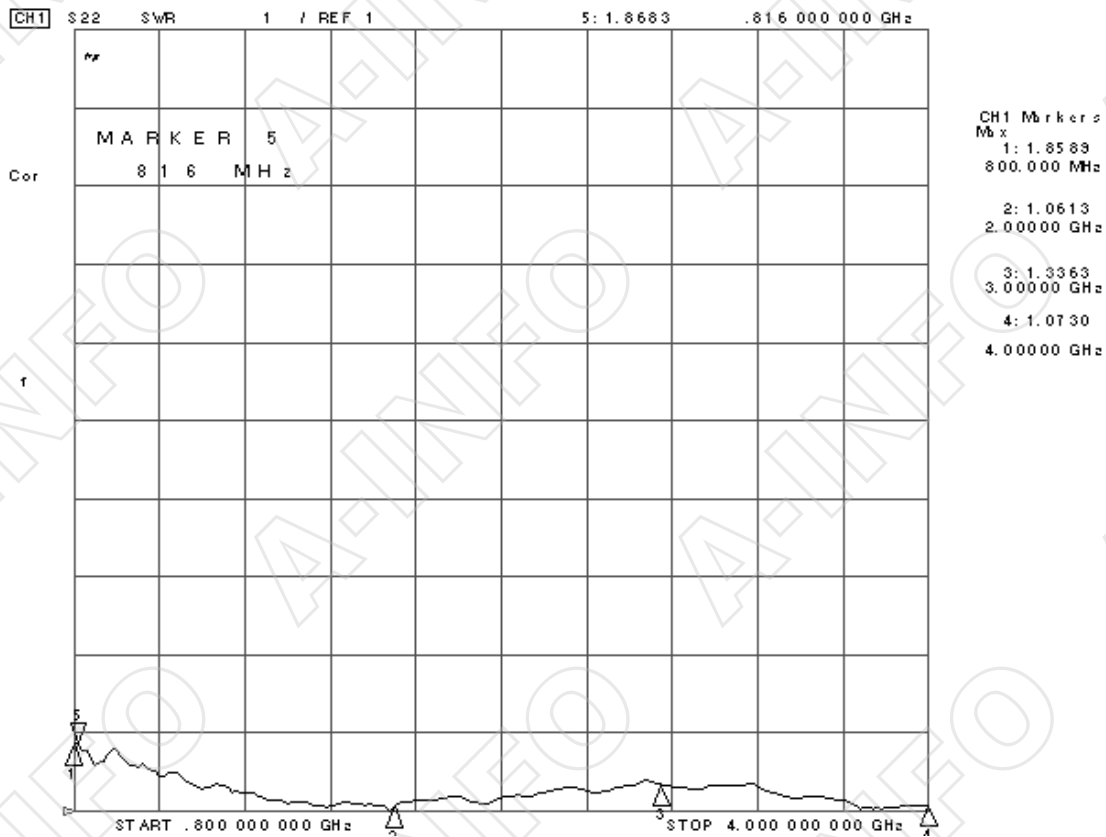


Test Results

1. Gain

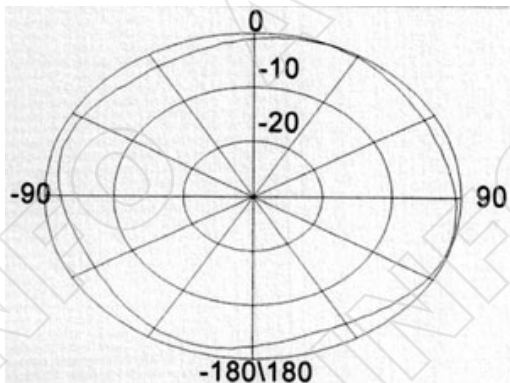


2. VSWR

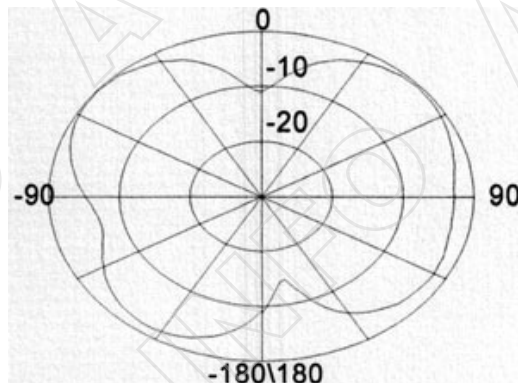


3. Pattern

Frequency: 0.8GHz

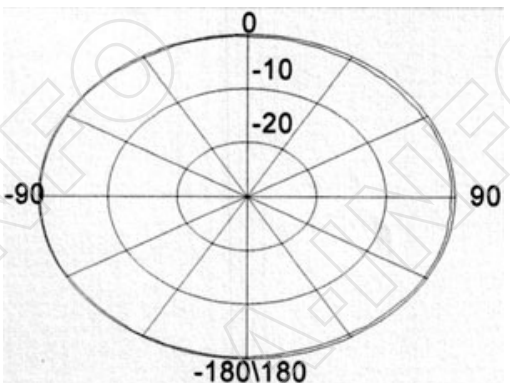


H-Plane

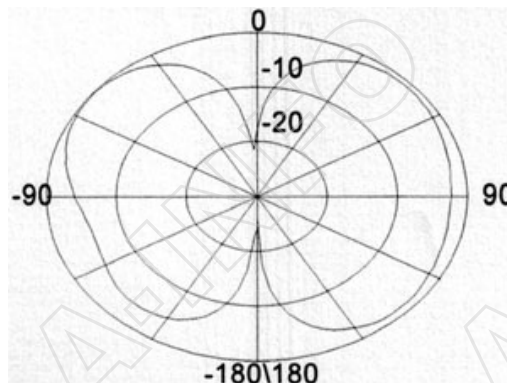


E-Plane

Frequency: 1.0GHz

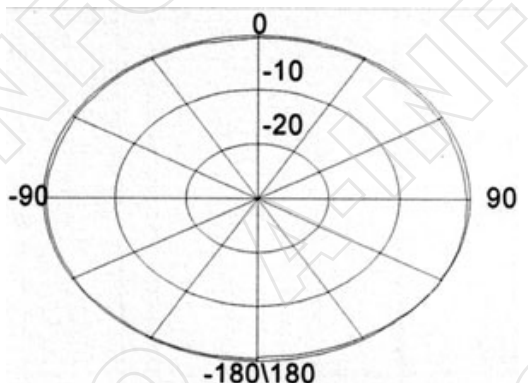


H-Plane

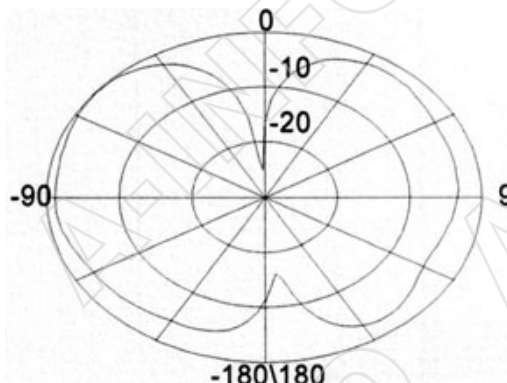


E-Plane

Frequency: 1.5GHz

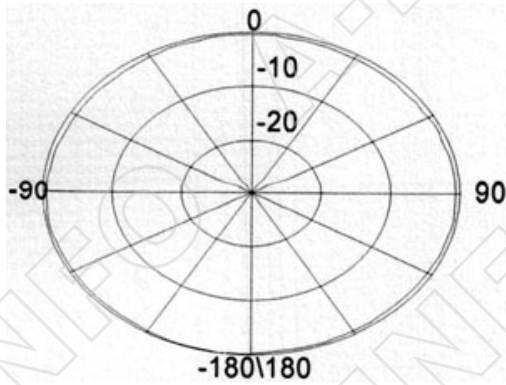


H-Plane

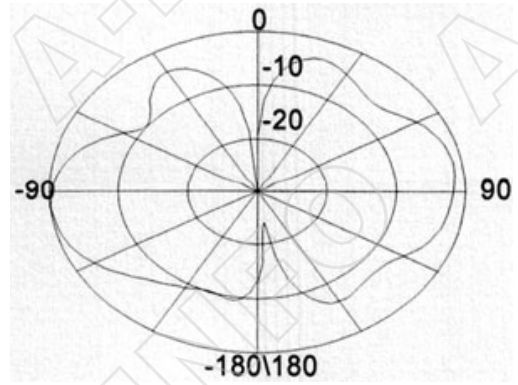


E-Plane

Frequency: 2.0GHz

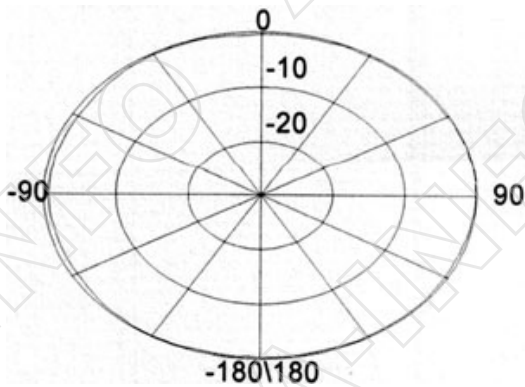


H-Plane

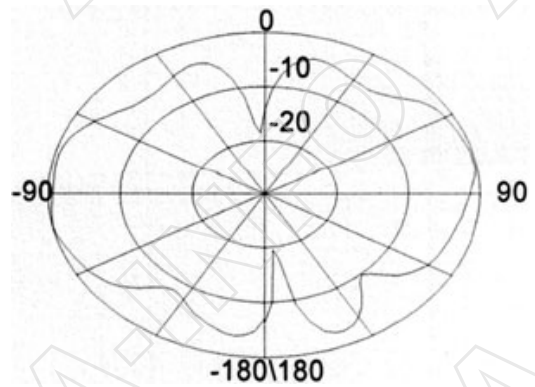


E-Plane

Frequency: 2.5GHz

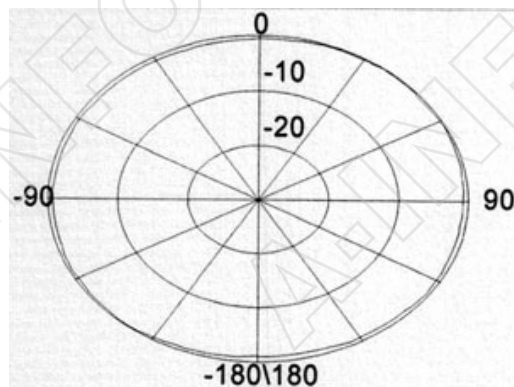


H-Plane

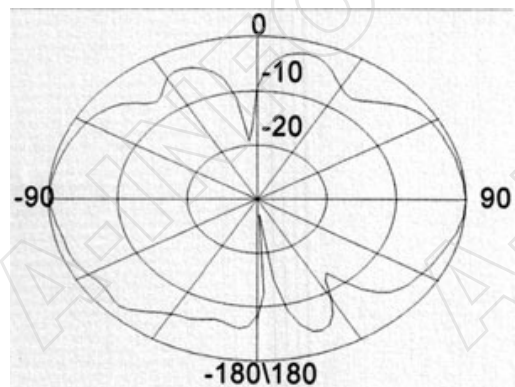


E-Plane

Frequency: 3.0GHz

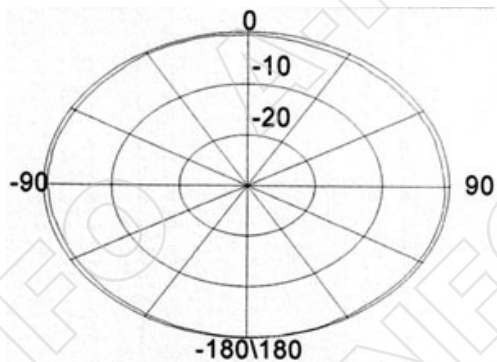


H-Plane

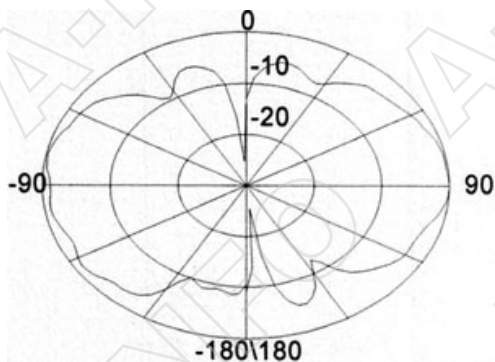


E-Plane

Frequency: 3.5GHz

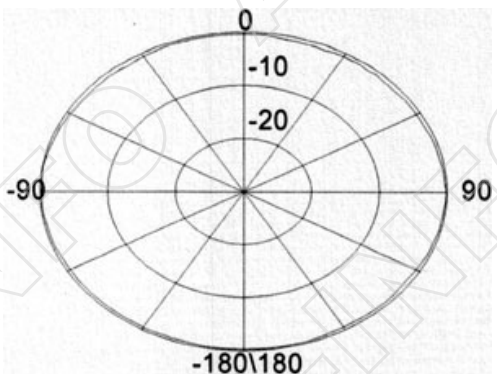


H-Plane

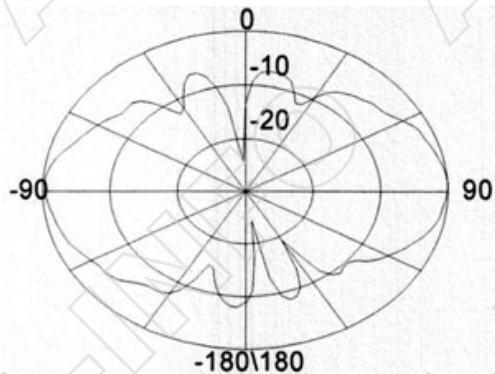


E-Plane

Frequency: 4.0GHz



H-Plane



E-Plane