



10WMT\_Cu WR10 Waveguide Magic Tee 75-110GHz with Four Rectangular Waveguide Interfaces

WR10 Waveguide Magic Tee Operating From 75 to 110GHz with Four Rectangular Waveguide Interfaces

### Product Information

SKU	10WMT_Cu
-----	----------

### Description

Waveguide magic tee 10WMT\_Cu, operating from 75 to 110GHz with a 0.5dB insertion loss, 40dB isolation, H-Plane VSWR 1.50:1 and E-Plane VSWR 1.50:1. 10WMT\_Cu is a four-ports hybrid coupler or power divider. All the ports have standard WR10 waveguides with the same flanges FUGP900(UG-387/U-M). The magic tee can be used as a power combiner or a power divider based on the given application's needs.

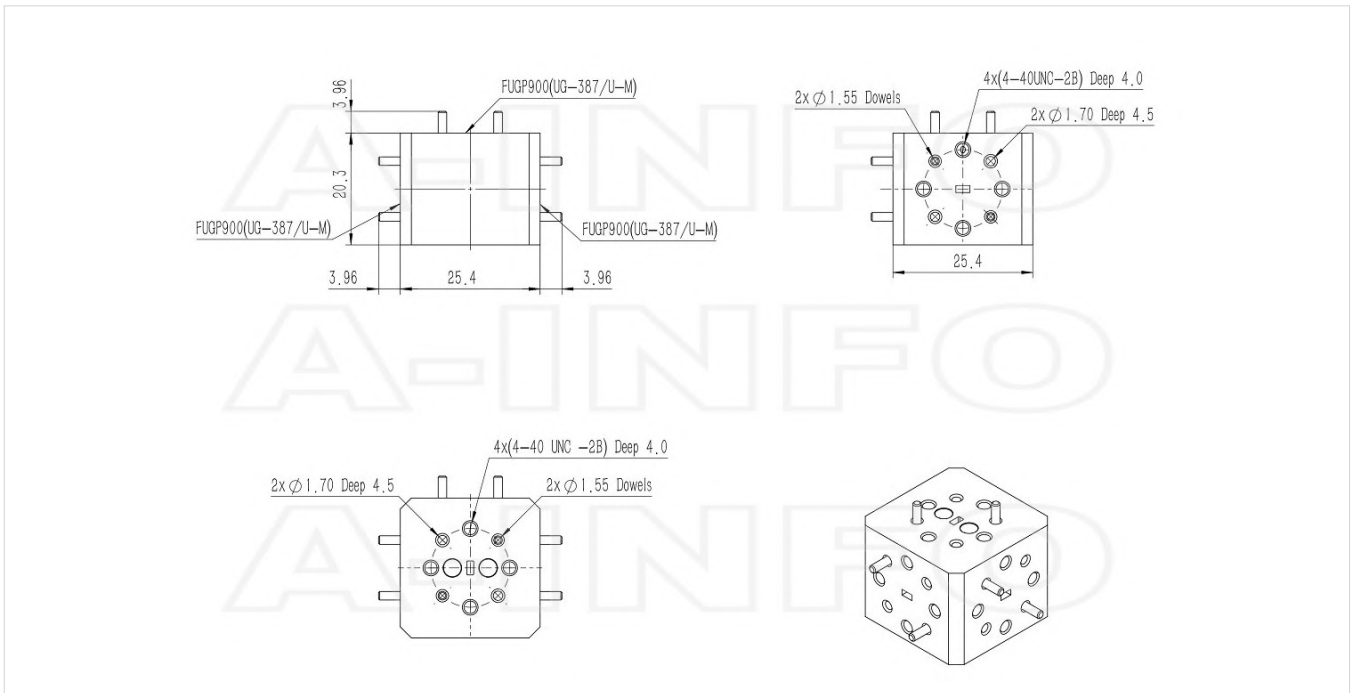
## Technical Specification

Electrical Specification		Interface	
WG Tee Type	Magic Tee	Flange 3 Style	Round
Waveguide Band	W	Flange 3 Type	Cover
Waveguide Type	Rectangular	Flange 3 Designation	FUGP900(UG-387/U-M)
Waveguide Size EIA WR	WR10	Flange 4 Style	Round
Frequency, Min (GHz)	75	Flange 4 Type	Cover
Frequency, Max (GHz)	110	Flange 4 Designation	FUGP900(UG-387/U-M)
I.L., Typ (dB)	0.5	Mechanical Specification	
I.L., Max (dB)	1	Body Material	Cu
VSWR, H-Plane, Typ	1.5	Size, L (mm)	25.4
VSWR, H-Plane, Typ	1.50:1	Size, W (mm)	25.4
VSWR, E-Plane, Typ	1.5	Size, H (mm)	20.3
VSWR, E-Plane, Typ	1.50:1	Weight, (kg)	0.1
Isolation, Min (dB)	30	Pressure Sealed	No
Isolation, Typ (dB)	40	Environmental Specification	
Power Handling, CW, (W)	6.6	Operating Temp. Low (°C)	-55
Power Handling, Peak, (KW)	3	Operating Temp. High (°C)	85
Interface		Storage Temp. Low (°C)	-60
Flange 1 Style	Round	Storage Temp. High (°C)	90
Flange 1 Type	Cover		
Flange 1 Designation	FUGP900(UG-387/U-M)		
Flange 2 Style	Round		
Flange 2 Type	Cover		
Flange 2 Designation	FUGP900(UG-387/U-M)		

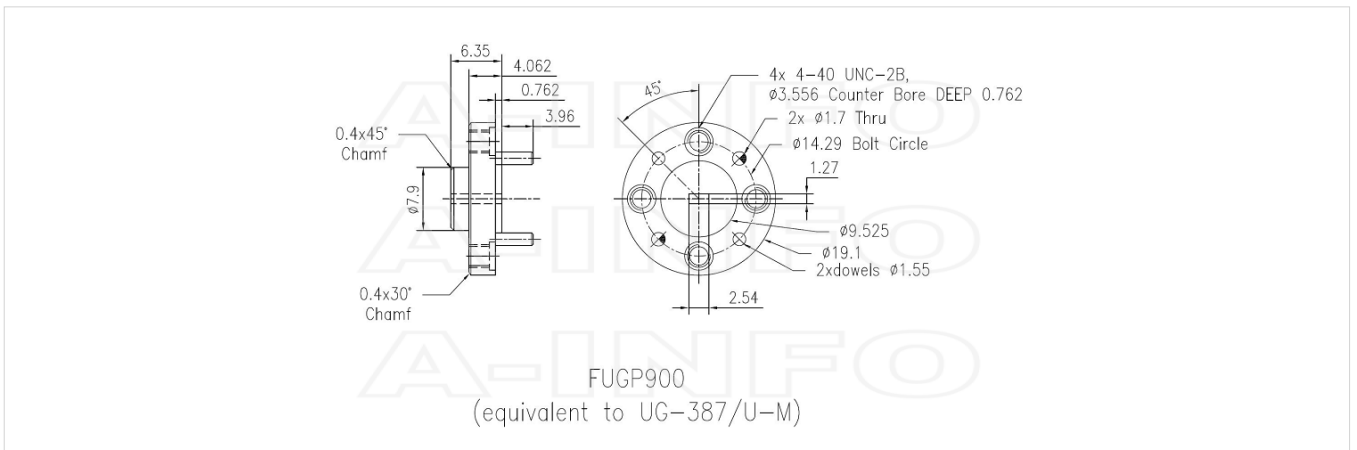
## Additional Information

Application	General Purpose Indoor & Outdoor, Fixed
-------------	---

## Outline Drawing(Size: mm)



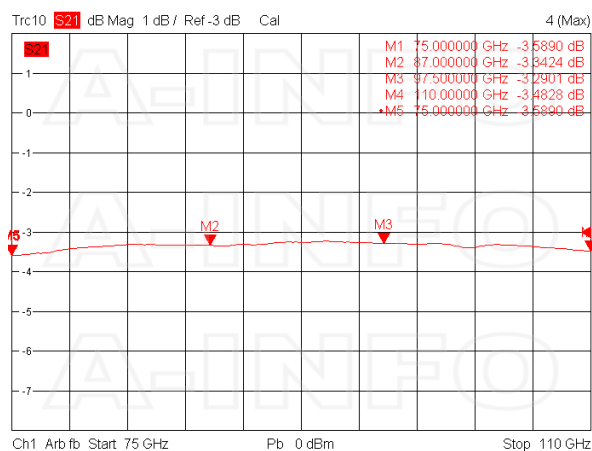
## Flange Drawing(Size: mm)



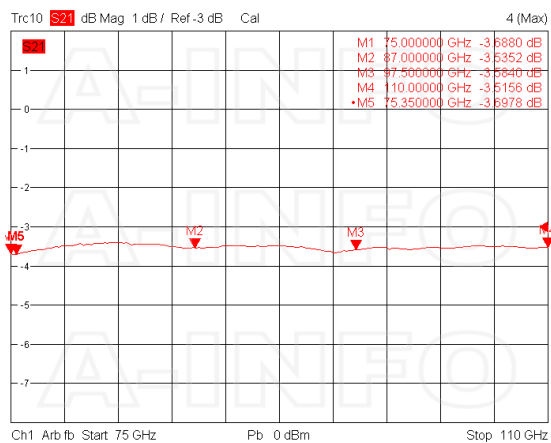
## Typical Test Results

### Insertion Loss(Including the theoretical loss 3.0dB)

E-Plane

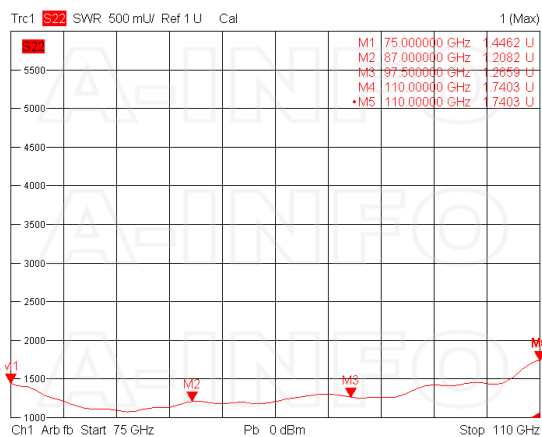


H-Plane

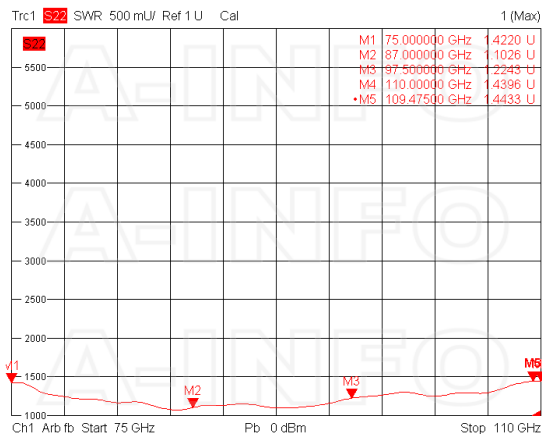


VSWR

E-Plane

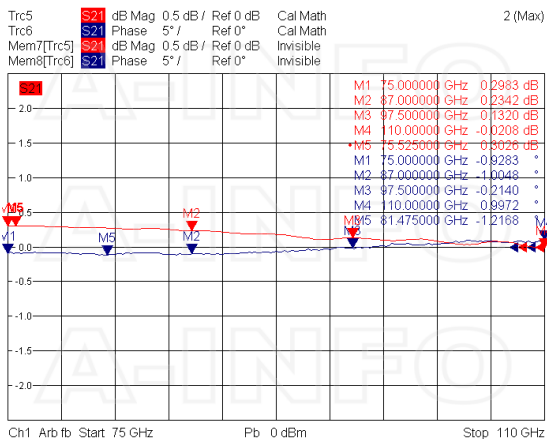


### H-Plane

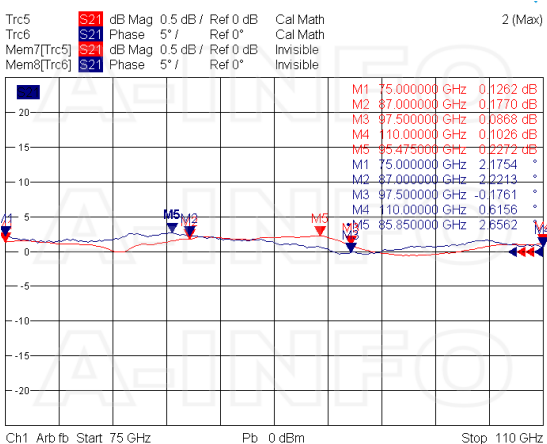


### Unbalance

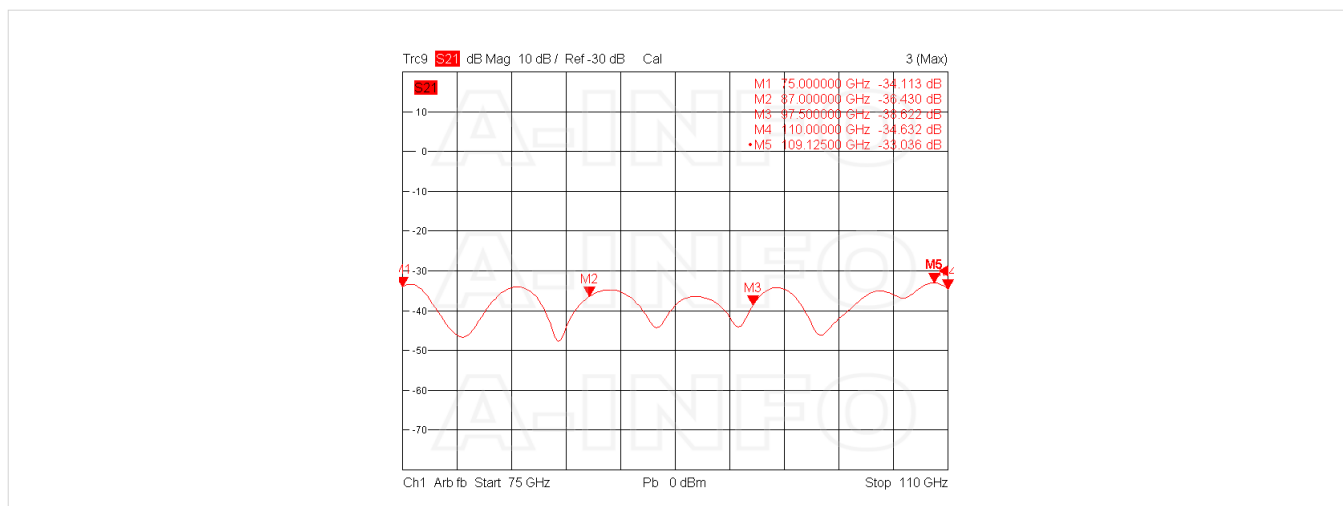
#### E-Plane



#### H-plane



### Isolation



### Similar Products



10WET\_Cu WR10 Waveguide E-Plane Tee 75-110GHz with Three Rectangular Waveguide Interfaces



12WET\_Cu WR12 Waveguide E-Plane Tee 60-90GHz with Three Rectangular Waveguide Interfaces



12WMT\_Cu WR12 Waveguide Magic Tee 60-90GHz with Four Rectangular Waveguide Interfaces

### About this Datasheet

<ul style="list-style-type: none"> <li>● <b>Product Information</b> Product Link: <a href="https://www.ainfoinc.com/10wmt-cu-wr10-waveguide-magic-tee-75-110-ghz-fugp900-ug-387-u-m">https://www.ainfoinc.com/10wmt-cu-wr10-waveguide-magic-tee-75-110-ghz-fugp900-ug-387-u-m</a> Data subject to change without notice. © A-INFO INC. 2024. All Rights Reserved</li> </ul>	<ul style="list-style-type: none"> <li>● <b>Contact Us</b> Address: 60 Tesla, Irvine, CA 92618, USA  Website: <a href="http://www.ainfoinc.com">www.ainfoinc.com</a>  Email: <a href="mailto:sales@ainfoinc.com">sales@ainfoinc.com</a></li> </ul>	<ul style="list-style-type: none"> <li>● <b>Phone &amp; Fax</b> Phone: +1-949-639-9688 +1-949-639-9608  Fax: +1-949-639-9670</li> </ul>
---	--	---