

340WET WR340 Waveguide E-Plane Tee 2.2-3.3GHz with Three Rectangular Waveguide Interfaces



WR340 Waveguide E-Plane Tee Operating From 2.2 to 3.3GHz with Three Rectangular Waveguide Interfaces

### Product Information

SKU	340WET
-----	--------

### Description

Waveguide E-plane tee 340WET, operating from 2.2 to 3.3GHz with a 0.15dB insertion loss and low VSWR 1.50:1. 340WET is a three-ports waveguide connector. All the ports have standard WR340 waveguides with the same flanges FDP26(UDR26). The waveguide E-plane tees are used to separate the signal at E plane rectangular port into the collinear arm with the two rectangular waveguide ports or synthesize the signal from the two ports of the collinear arm into the E plane port.

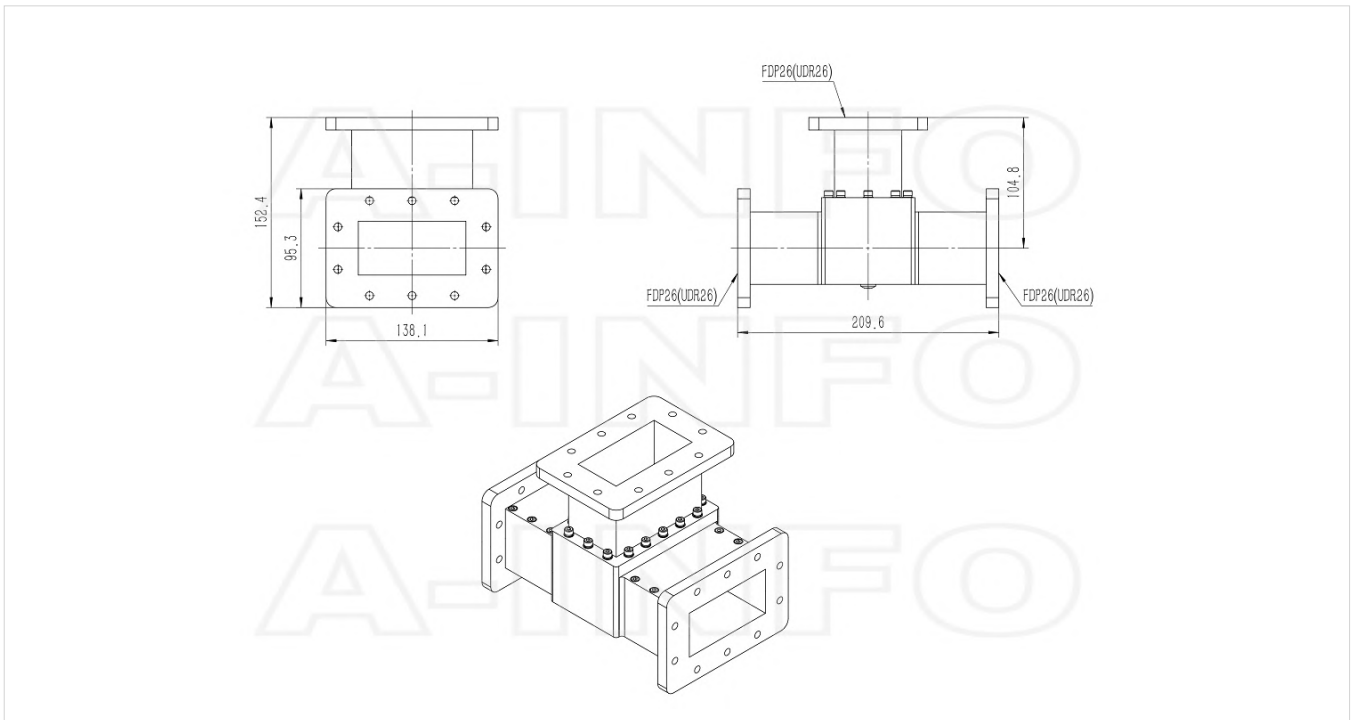
### Technical Specification

Electrical Specification		Interface	
WG Tee Type	E-Plane Tee	Flange 3 Style	Rectangular
Waveguide Band	S	Flange 3 Type	Cover
Waveguide Type	Rectangular	Flange 3 Designation	FDP26(UDR26)
Waveguide Size EIA WR	WR340	Mechanical Specification	
Frequency, Min (GHz)	2.2	Body Material	Al
Frequency, Max (GHz)	3.3	Size, L (mm)	209.6
I.L., Typ (dB)	0.15	Size, W (mm)	138.1
I.L., Max (dB)	0.2	Size, H (mm)	152.4
VSWR, Typ	1.50:1	Weight, (kg)	2.63
Amplitude Balance, Max (±dB)	0.25	Pressure Sealed	No
Phase Balance, Max (Deg.)	5	Environmental Specification	
Power Handling, CW, (W)	8000	Operating Temp. Low (°C)	-55
Power Handling, Peak, (KW)	4000	Operating Temp. High (°C)	85
Interface		Storage Temp. Low (°C)	-60
Flange 1 Style	Rectangular	Storage Temp. High (°C)	90
Flange 1 Type	Cover		
Flange 1 Designation	FDP26(UDR26)		
Flange 2 Style	Rectangular		
Flange 2 Type	Cover		
Flange 2 Designation	FDP26(UDR26)		

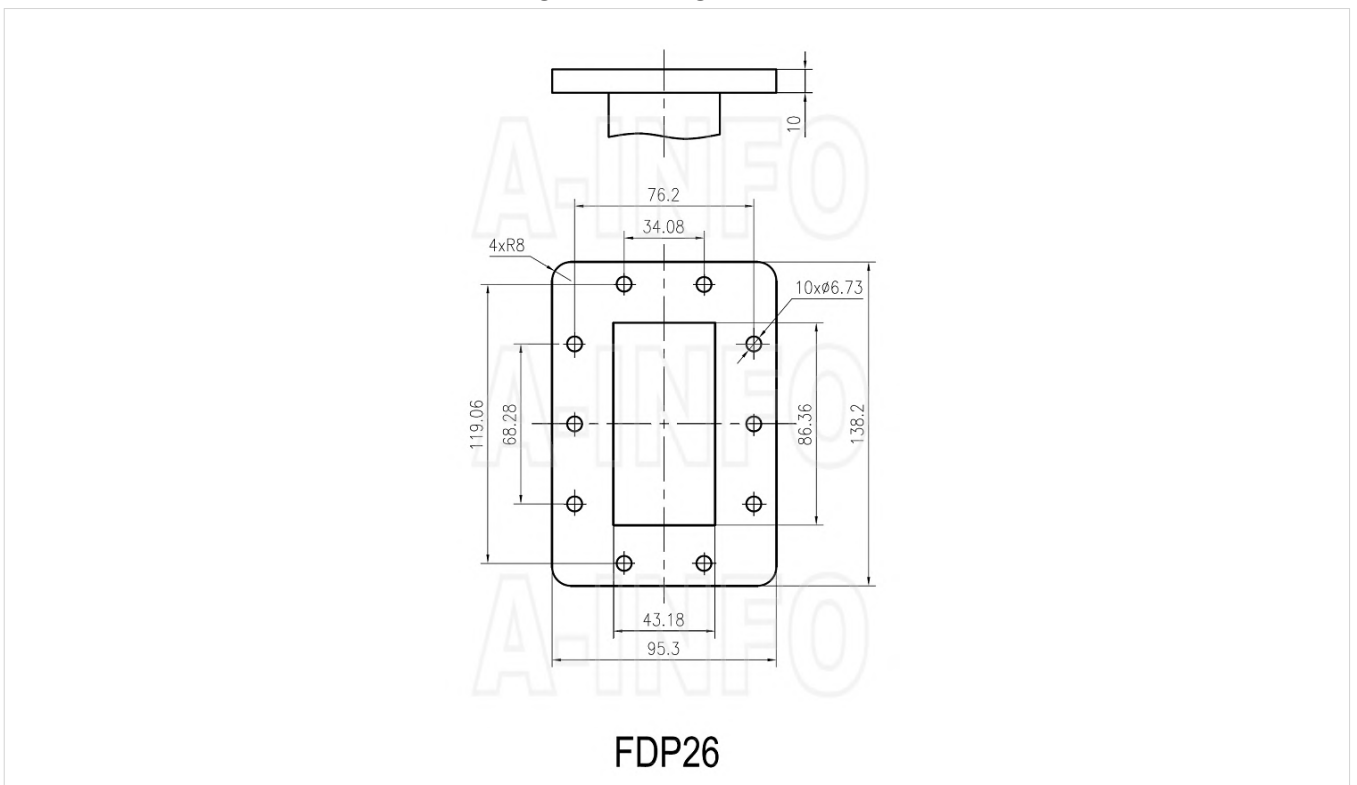
### Additional Information

Application	General Purpose Indoor & Outdoor, Fixed
-------------	---

## Outline Drawing(Size: mm)

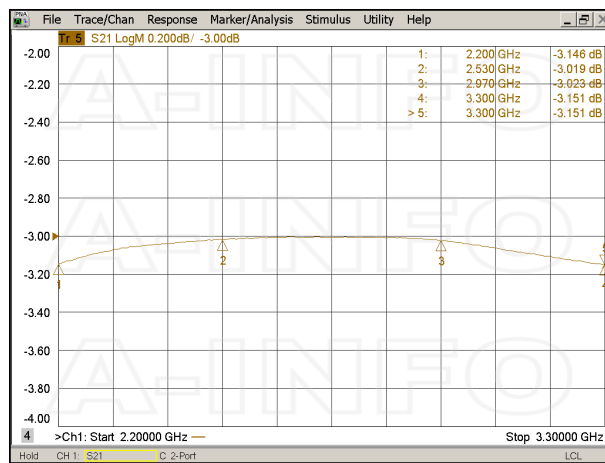


## Flange Drawing(Size: mm)

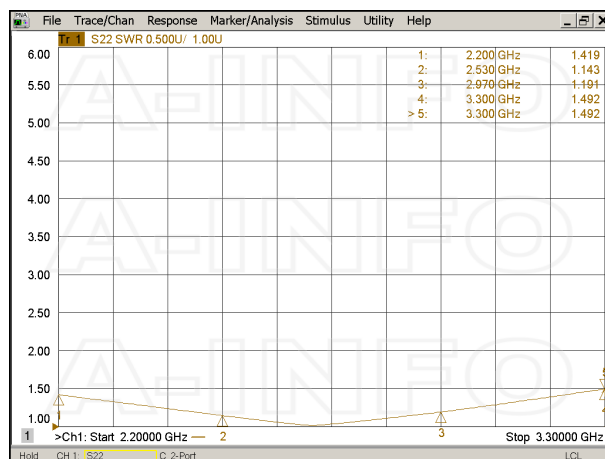


## Typical Test Results

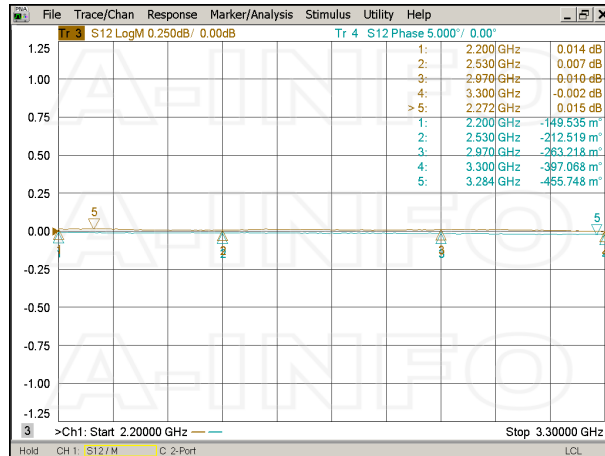
Insertion Loss(Including the theoretical loss 3.0dB)



VSWR



### Amplitude Balance & Phase Balance



### Related Products



340WCAN Right Angle Rectangular Waveguide to Coaxial Adapter 2.2-3.3GHz WR340 to N Type Female



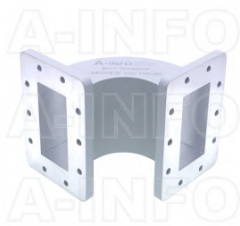
340WCAS Right Angle Rectangular Waveguide to Coaxial Adapter 2.2-3.3GHz WR340 to SMA Female



340WCA7/16 Right Angle Rectangular Waveguide to Coaxial Adapter 2.2-3.3GHz WR340 to 7/16 DIN Female



340WAL-100 WR340 Rectangular Straight Waveguide 2.2-3.3GHz with Two Rectangular Waveguide Interfaces



340WEB-100-100-40 WR340 Radius Bend Waveguide E-Plane 2.2-3.3GHz with Two Rectangular Waveguide Interfaces



340WHB-180-180-100 WR340 Radius Bend Waveguide H-Plane 2.2-3.3GHz with Two Rectangular Waveguide Interfaces



340WTA-500 WR340 Rectangular Twist Waveguide 2.2-3.3GHz with Two Rectangular Waveguide Interfaces



340WLPL WR340 Waveguide Low Power Load 2.2-3.3GHz with Rectangular Waveguide Interface



340WMPL1200 WR340  
Waveguide Medium Power Load  
2.2-3.3GHz with Rectangular  
Waveguide Interface

### Similar Products



340WHT WR340 Waveguide H-Plane Tee 2.2-3.3GHz with Three Rectangular Waveguide Interfaces



340WMT WR340 Waveguide Magic Tee 2.2-3.3GHz with Four Rectangular Waveguide Interfaces



340WL+C-30 WR340 Waveguide Cross Coupler WL+C-XX Type 2.2-3.3GHz 30dB Coupling with Three Rectangular Waveguide Interfaces



340WL+C-40 WR340 Waveguide Cross Coupler WL+C-XX Type 2.2-3.3GHz 40dB Coupling with Three Rectangular Waveguide Interfaces



340WL+C-50 WR340 Waveguide Cross Coupler WL+C-XX Type 2.2-3.3GHz 50dB Coupling with Three Rectangular Waveguide Interfaces



340WL+C-60 WR340 Waveguide Cross Coupler WL+C-XX Type 2.2-3.3GHz 60dB Coupling with Three Rectangular Waveguide Interfaces



340W+C-30 WR340 Waveguide Cross Coupler W+C-XX Type 2.2-3.3GHz 30dB Coupling with Four Rectangular Waveguide Interfaces



340W+C-40 WR340 Waveguide Cross Coupler W+C-XX Type 2.2-3.3GHz 40dB Coupling with Four Rectangular Waveguide Interfaces



340W+C-50 WR340 Waveguide  
Cross Coupler W+C-XX Type  
2.2-3.3GHz 50dB Coupling with  
Four Rectangular Waveguide  
Interfaces



340W+C-60 WR340 Waveguide  
Cross Coupler W+C-XX Type  
2.2-3.3GHz 60dB Coupling with  
Four Rectangular Waveguide  
Interfaces

## About this Datasheet

<ul style="list-style-type: none"> <li>● <b>Product Information</b> Product Link: <a href="https://www.ainfoinc.com/340wet-wr340-waveguide-e-plane-tee-2-2-3-3-ghz-fdp26-udr26">https://www.ainfoinc.com/340wet-wr340-waveguide-e-plane-tee-2-2-3-3-ghz-fdp26-udr26</a> Data subject to change without notice. © A-INFO INC. 2024. All Rights Reserved</li> </ul>	<ul style="list-style-type: none"> <li>● <b>Contact Us</b> Address: 60 Tesla, Irvine, CA 92618, USA  Website: <a href="http://www.ainfoinc.com">www.ainfoinc.com</a>  Email: <a href="mailto:sales@ainfoinc.com">sales@ainfoinc.com</a></li> </ul>	<ul style="list-style-type: none"> <li>● <b>Phone &amp; Fax</b> Phone: +1-949-639-9688 +1-949-639-9608  Fax: +1-949-639-9670</li> </ul>
---	--	---