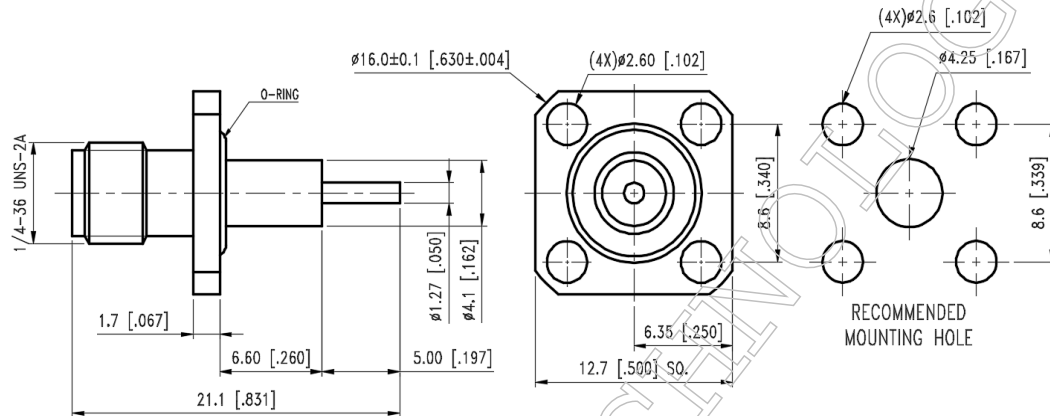


▪ **Outline Dimension Drawing**

Dimensions: mm[inch]



▪ **Material Specification**

Description	Material	Plating
Body	Brass	Nickel
Body	Brass	Gold
Contact	BeCu	Gold
Dielectric*2	PTFE	
O-ring*2	S.I.R.	Black
O-ring	S.I.R.	Red

In the effort to improve our products, we reserve the right to make changes judged to be necessary



▪ **Electrical Specification**

Description		Description	
Impedance	50 Ω	Insulation Resistance	5000 MΩ Min.
Frequency	18 GHz	Inner Contact Resistance	6 mΩ Max.
VSWR	1.3 Max.	Outer Contact Resistance	2 mΩ Max.
Insertion Loss	0.25 dB Max.		
Voltage Rating	550 Vrms Max.		
Dielectric Withstanding Voltage	1000 Vrms Max.		

▪ **Mechanical Specification**

Description		Description	
Center Contact		Recommended Torque	7~9 in. lbs
Axial Force-Mating End	6 lbs.	Coupling Nut Retention	N/A lbs Min.
Axial Force-Opposite End	N/A lbs.		
Connector Durability	500 cycles		
Weight	2.6 g		

▪ **Environmental Specification**

Description	
Temperature Min.	-65 °C
Temperature Max.	165 °C
Hermetic Seal	N/A

In the effort to improve our products, we reserve the right to make changes judged to be necessary