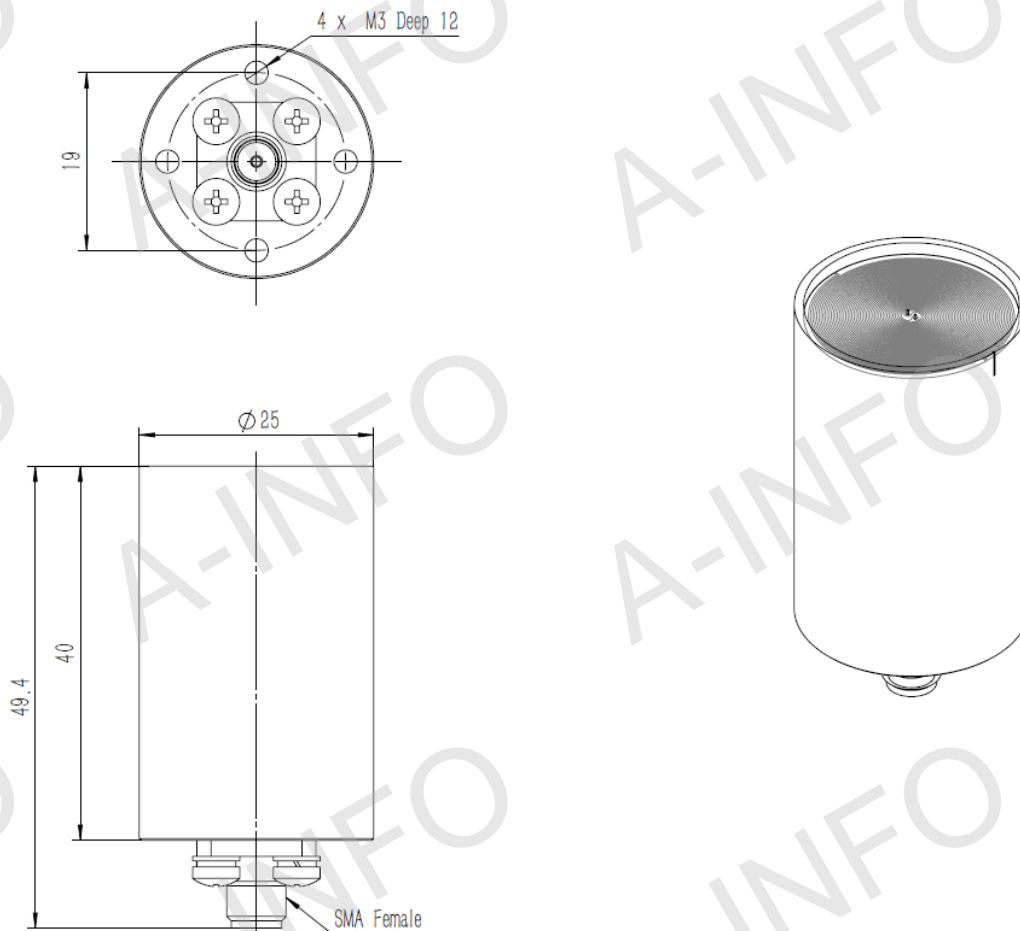


## Technical Specification



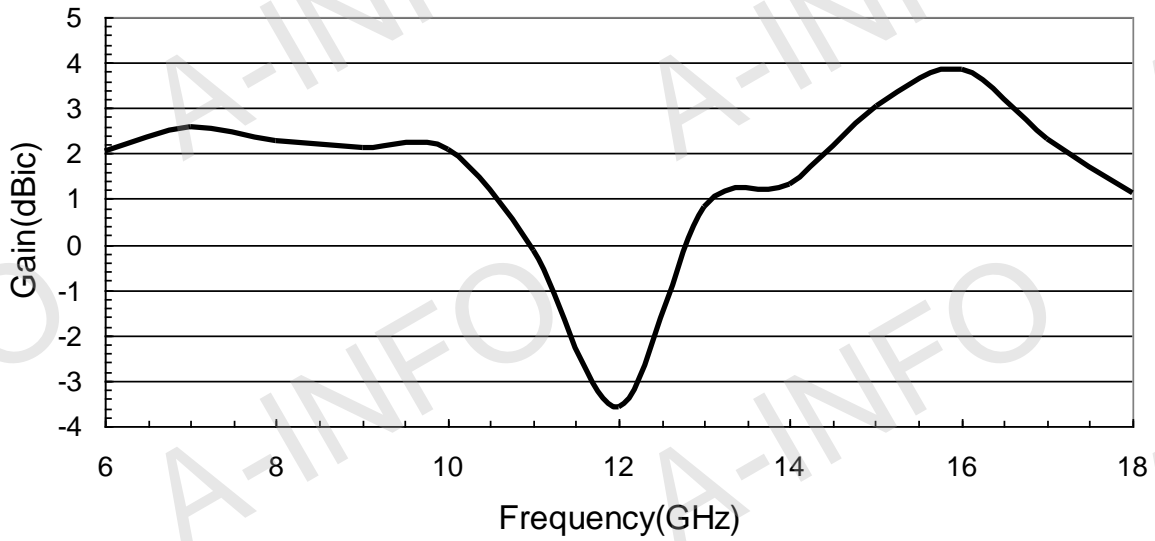
Frequency Range(GHz)	6.0 - 18.0
Gain(dBic)	2.07@6GHz
	-3.57@12GHz
	1.14@18GHz
Polarization	RHCP or LHCP
Axial Ratio(dB)	5.0 Max.
3dB Beamwidth(deg)	E Plane: 110 - 45
	H Plane: 90 - 55
VSWR	2.0:1 Typ.
	3.0:1 Max.
Connector	SMA-Female
Material	Al
Size(mm)	Φ25 x 49.4
Net Weight(Kg)	0.03 Around

## Outline Drawing (Size: mm)

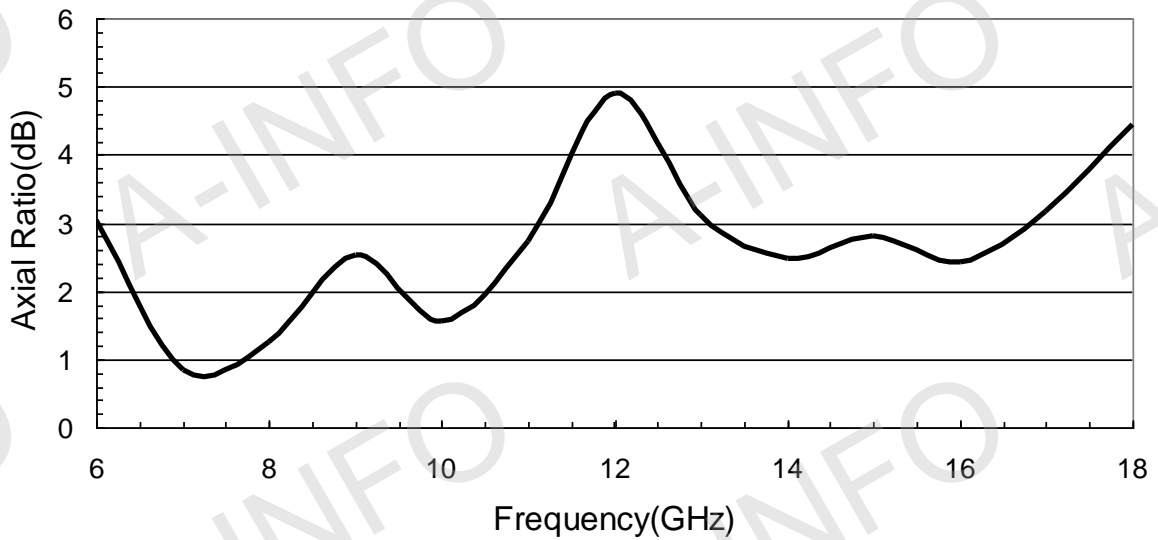


## Test Results

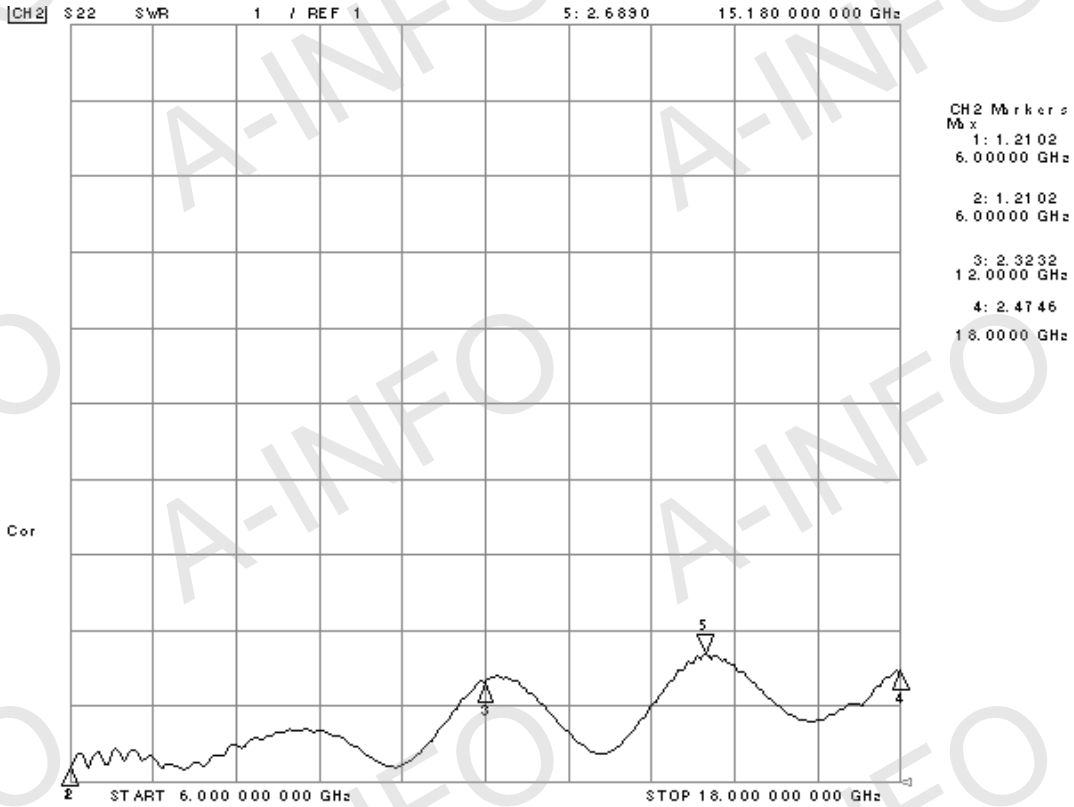
### 1. Gain



### 2. Axial Ratio



### 3. VSWR



### 4. Pattern

