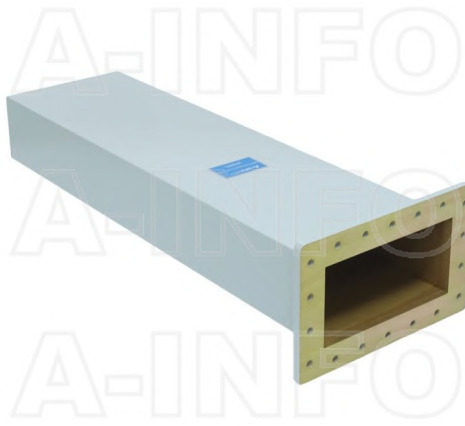


975WPL WR975 Waveguide Precision Load 0.75-1.12GHz with Rectangular Waveguide Interface



WR975 Waveguide Precision Load Operating From 0.75 to 1.12GHz with Rectangular Waveguide Interface

### Product Information

SKU	975WPL
-----	--------

### Description

Waveguide precision load 975WPL, operating from 0.75 to 1.12GHz and low VSWR 1.05:1. 975WPL covers the WR975 sub waveguide band and comes with one flange FDP9(UDR9). It can handle 25W continuously and 25KW peak power. A-INFO Precision Flange(APF) is available for this series. The WPL series low power waveguide fixed terminations are precision, low VSWR terminations suited to a wide variety of precision laboratory applications. The typical applications include full band one-Interface calibration and full two-Interface, isolation calibration. TRM (Thru-Reflect-Match) and SSLT (Short-Short-Load- Thru) calibration methods are supInterfaceed.

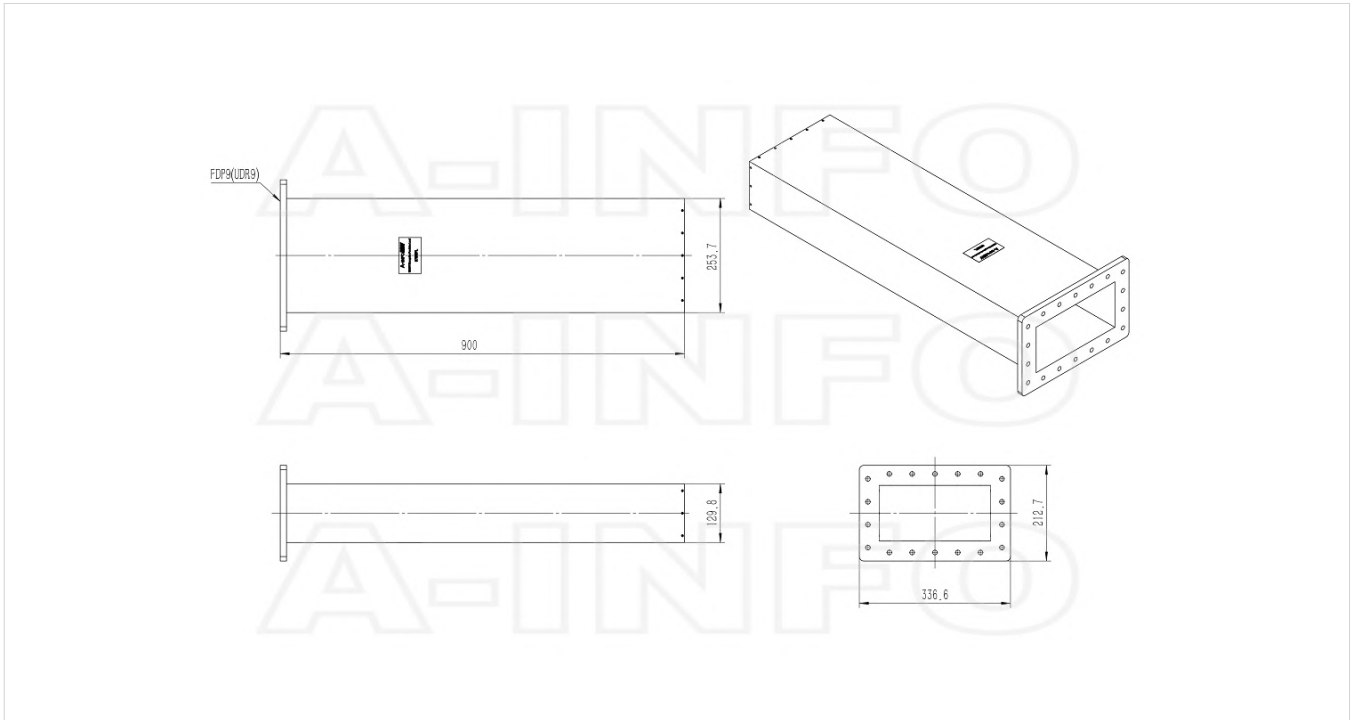
### Technical Specification

Electrical Specification		Mechanical Specification	
WG Load Type	Precision	Body Material	Al
Waveguide Band	L	Size, L (mm)	900
Waveguide Type	Rectangular	Size, W (mm)	336.6
Waveguide Size EIA WR	WR975	Size, H (mm)	212.7
Frequency, Min (GHz)	0.75	Weight, (kg)	7.83
Frequency, Max (GHz)	1.12	Pressure Sealed	No
VSWR, Typ	1.04:1	Environmental Specification	
VSWR, Max	1.05:1	Operating Temp. Low (°C)	-55
Power Handling, CW, (W)	25	Operating Temp. High (°C)	85
Power Handling, Peak, (KW)	25	Storage Temp. Low (°C)	-60
Interface		Storage Temp. High (°C)	90
Flange Style	Rectangular		
Flange Type	Cover		
Flange Designation	FDP9(UDR9)		

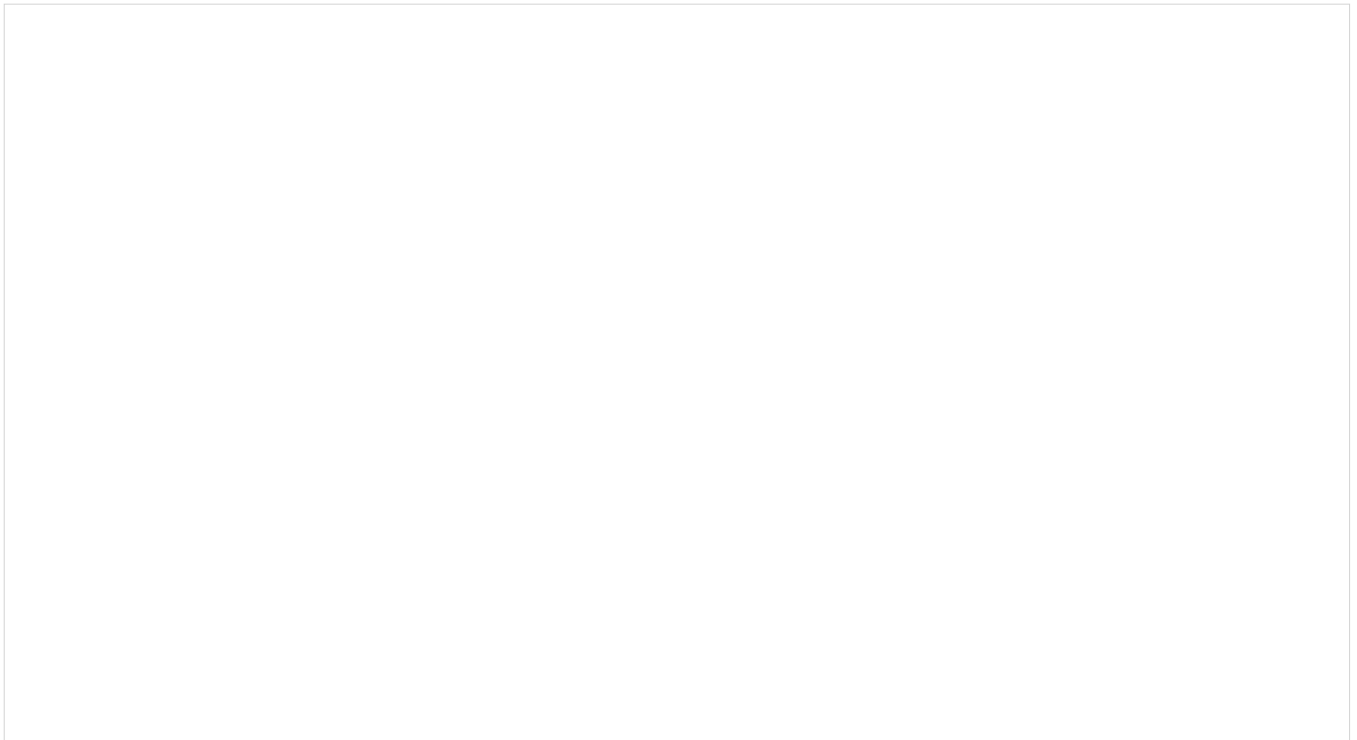
## Additional Information

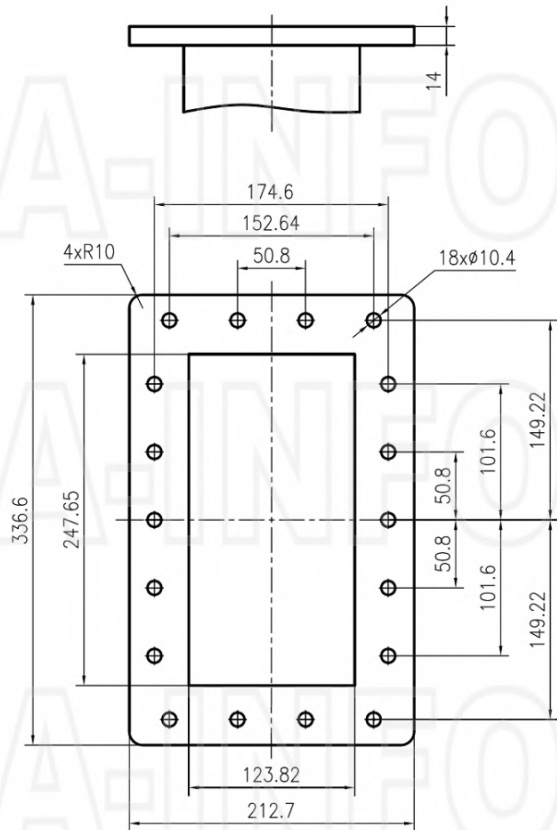
Application	General Purpose Indoor & Outdoor, Fixed
-------------	---

## Outline Drawing



## Flange Drawing

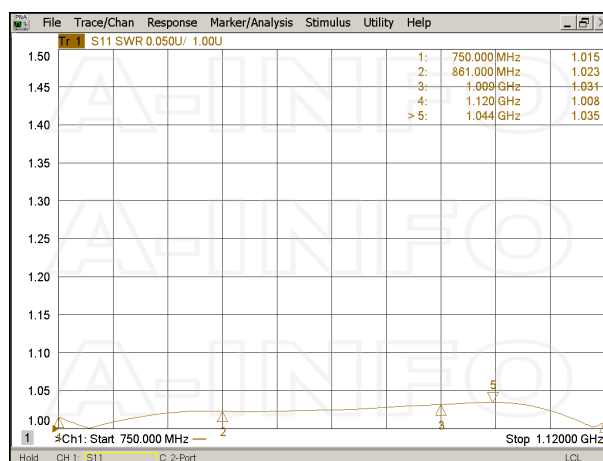




FDP9

## Typical Test Results

### VSWR



## About this Datasheet

<ul style="list-style-type: none"><li>● <b>Product Information</b></li></ul> <p>Product Link: <a href="https://www.ainfoinc.com/975wpl-wr975-waveguide-precision-load-0-75-1-12-ghz-fdp9-udr9">https://www.ainfoinc.com/975wpl-wr975-waveguide-precision-load-0-75-1-12-ghz-fdp9-udr9</a> Data subject to change without notice. © A-INFO INC. 2024. All Rights Reserved</p>	<ul style="list-style-type: none"><li>● <b>Contact Us</b></li></ul> <p>Address: 60 Tesla, Irvine, CA 92618, USA</p> <p>Website: <a href="http://www.ainfoinc.com">www.ainfoinc.com</a></p> <p>Email: <a href="mailto:sales@ainfoinc.com">sales@ainfoinc.com</a></p>	<ul style="list-style-type: none"><li>● <b>Phone &amp; Fax</b></li></ul> <p>Phone: +1-949-639-9688 +1-949-639-9608</p> <p>Fax: +1-949-639-9670</p>
--	---	--