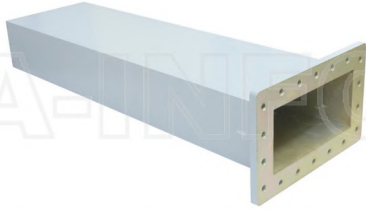


975WLPL WR975 Waveguide Low Power Load 0.75-1.12GHz with Rectangular Waveguide Interface

WR975 Waveguide Low Power Load Operating From 0.75 to 1.12GHz with Rectangular Waveguide Interface



Product Information

SKU	975WLPL
-----	---------

Description

Waveguide low power load 975WLPL, operating from 0.75 to 1.12GHz and low VSWR 1.10:1. 975WLPL covers the WR975 sub waveguide band and comes with one flange FDP9(UDR9). It can handle 25W continuously and 25KW peak power. The WLPL series are for general version, low VSWR terminations for system application. The typical applications include system or test bench set-ups and small moderate power dummy loads.

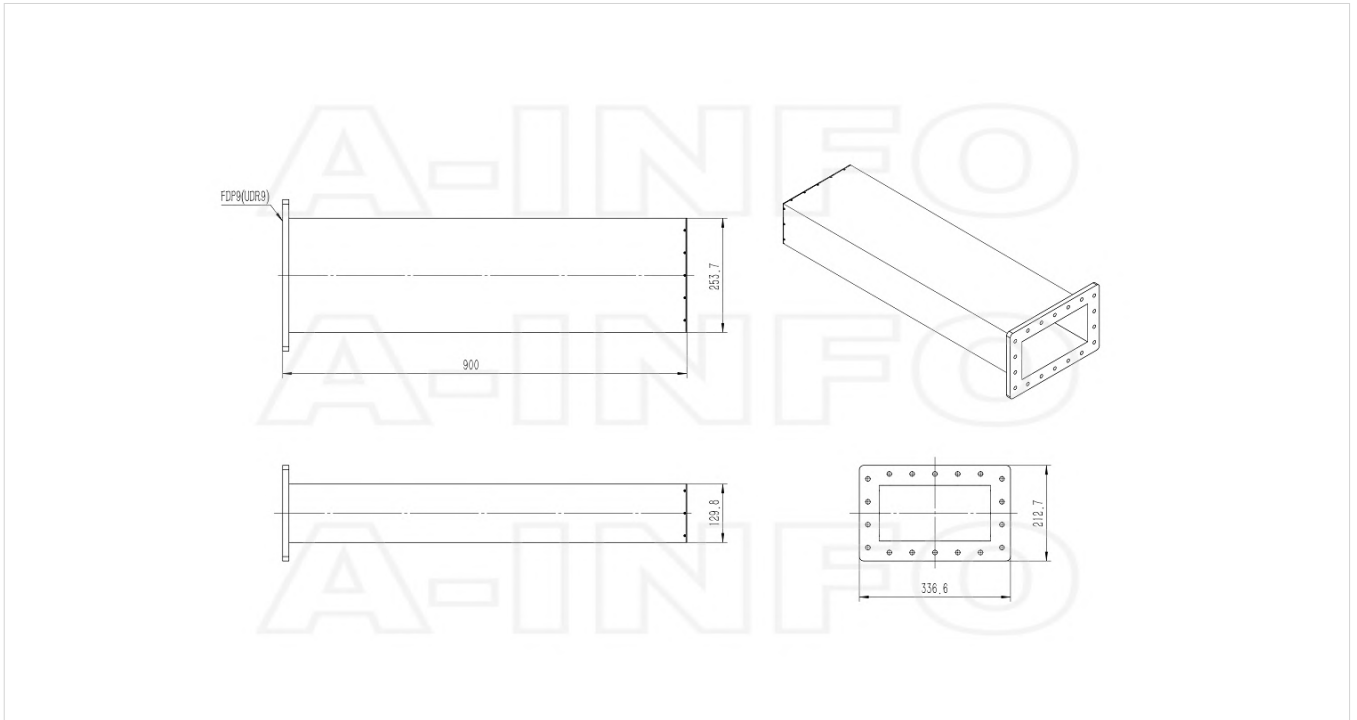
Technical Specification

Electrical Specification		Mechanical Specification	
WG Load Type	Low Power	Body Material	Al
Waveguide Band	L	Size, L (mm)	900
Waveguide Type	Rectangular	Size, W (mm)	336.6
Waveguide Size EIA WR	WR975	Size, H (mm)	212.7
Frequency, Min (GHz)	0.75	Weight, (kg)	7.83
Frequency, Max (GHz)	1.12	Pressure Sealed	No
VSWR, Typ	1.08:1	Environmental Specification	
VSWR, Max	1.10:1	Operating Temp. Low (°C)	-55
Power Handling, CW, (W)	25	Operating Temp. High (°C)	85
Power Handling, Peak, (KW)	25	Storage Temp. Low (°C)	-60
Interface		Storage Temp. High (°C)	90
Flange Style	Rectangular		
Flange Type	Cover		
Flange Designation	FDP9(UDR9)		

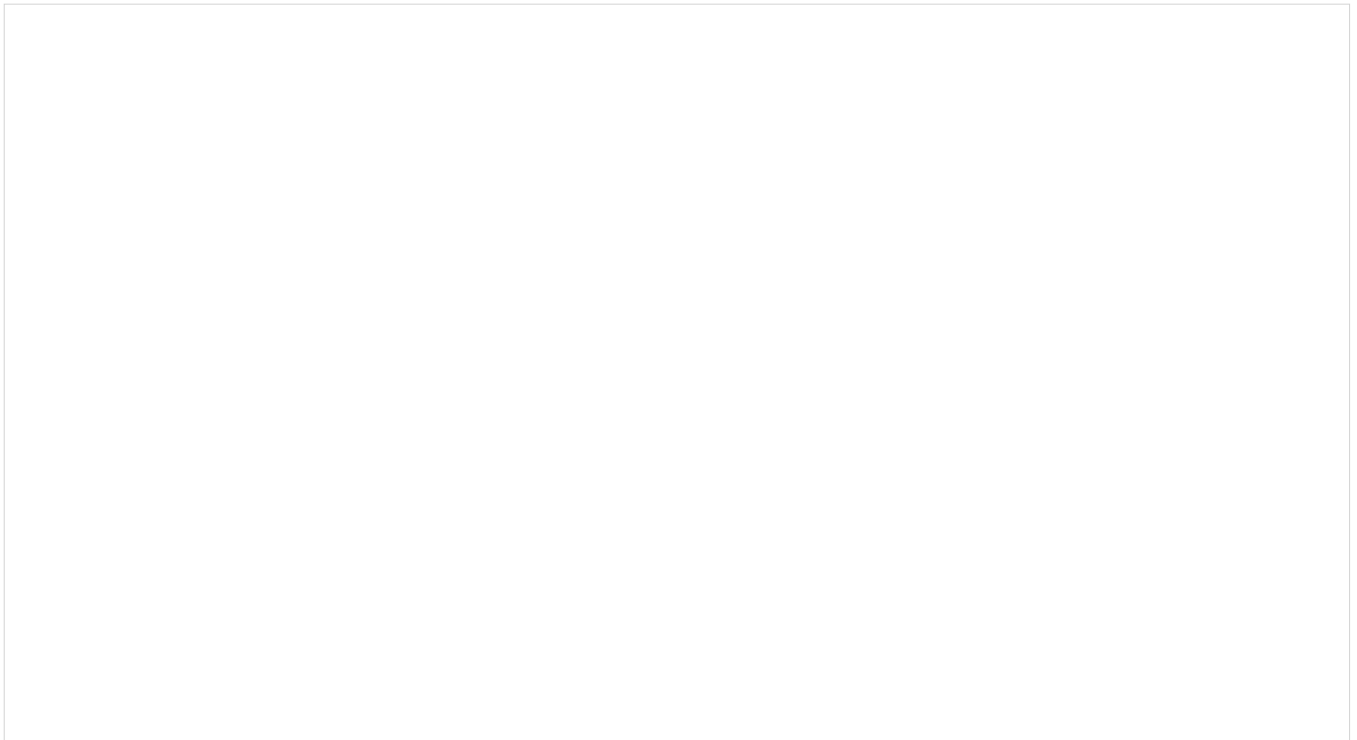
Additional Information

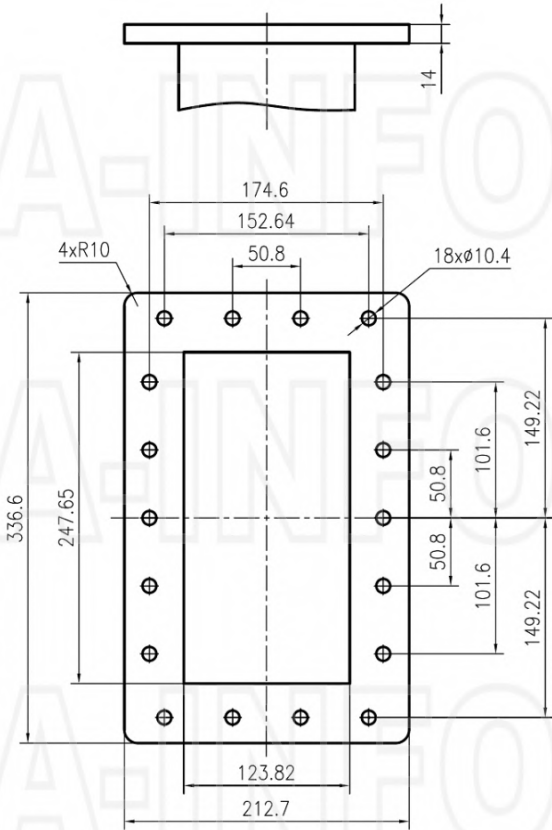
Application	General Purpose Indoor & Outdoor, Fixed
-------------	---

Outline Drawing



Flange Drawing

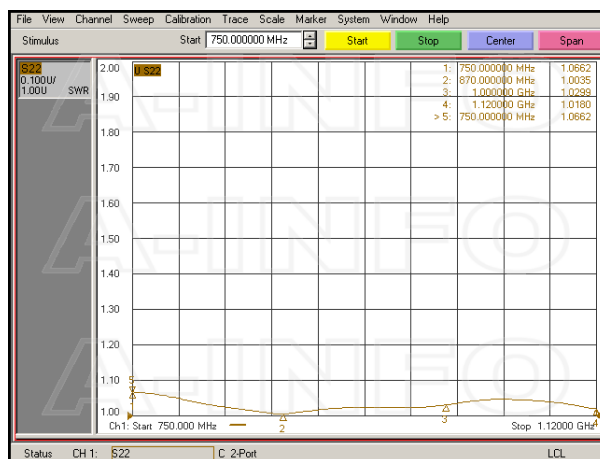




FDP9

Typical Test Results

VSWR



About this Datasheet

<ul style="list-style-type: none">● Product Information <p>Product Link: https://www.ainfoinc.com/975wlp-wr975-waveguide-low-power-load-0-75-1-12-ghz-fdp9-udr9 Data subject to change without notice. © A-INFO INC. 2024. All Rights Reserved</p>	<ul style="list-style-type: none">● Contact Us <p>Address: 60 Tesla, Irvine, CA 92618, USA</p> <p>Website: www.ainfoinc.com</p> <p>Email: sales@ainfoinc.com</p>	<ul style="list-style-type: none">● Phone & Fax <p>Phone: +1-949-639-9688 +1-949-639-9608</p> <p>Fax: +1-949-639-9670</p>
--	---	--