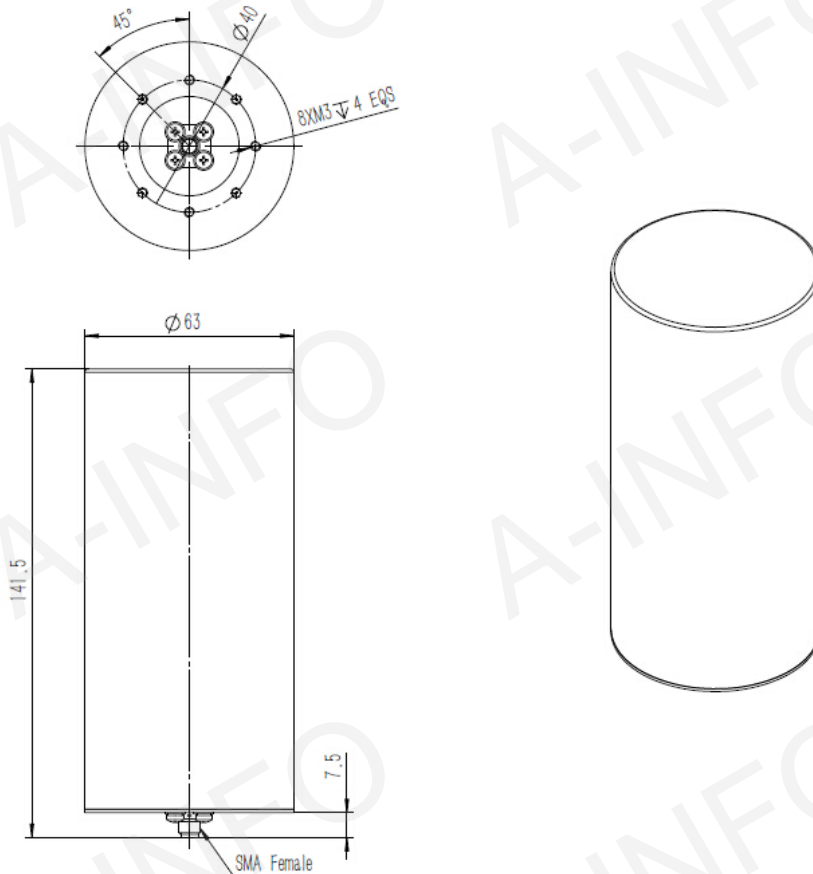




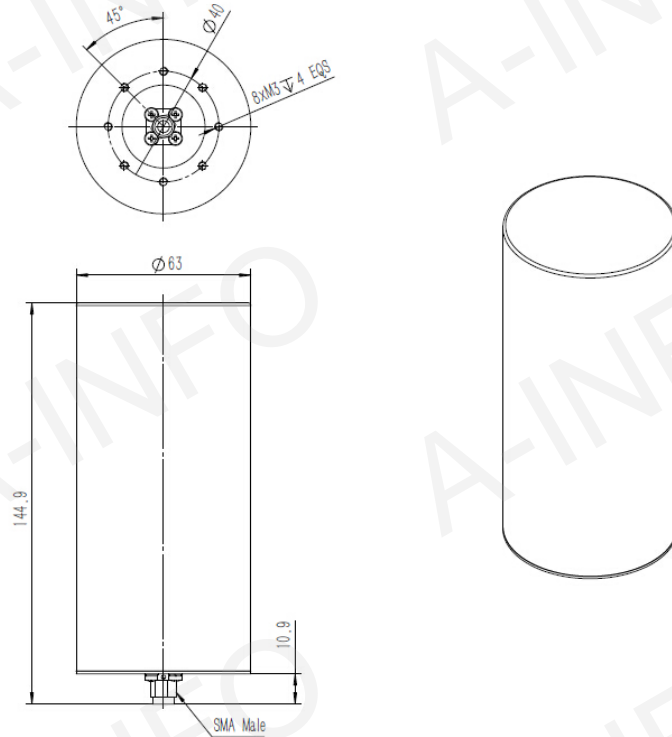
Frequency Range(MHz)	800-2700
Gain(dBi)	2.5 Typ.
VSWR	2:1 Typ.
Polarization	Vertical
Azimuth Beamwidth	Omni Directional
Input Power(W)	30
Connector	SMA-Female or SMA-Male
Size(mm)	134xØ64 approx
Net Weight(Kg)	0.15 Around

Outline Drawing (Size: mm)

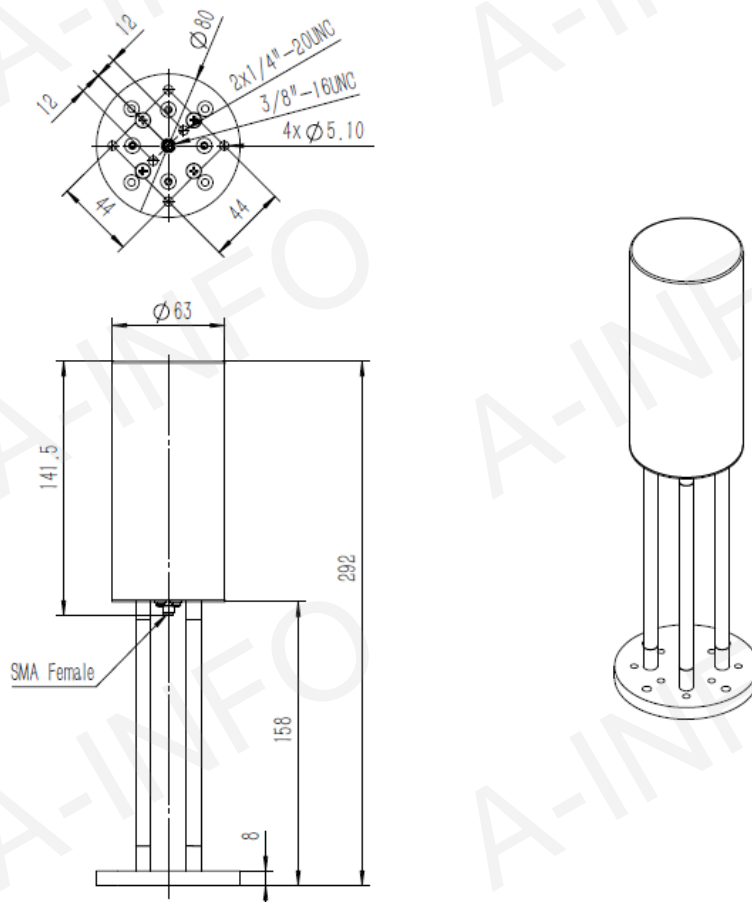
SMA-Female output



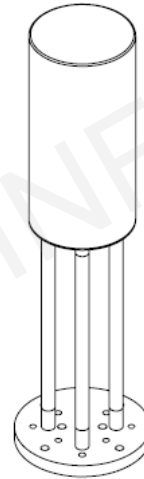
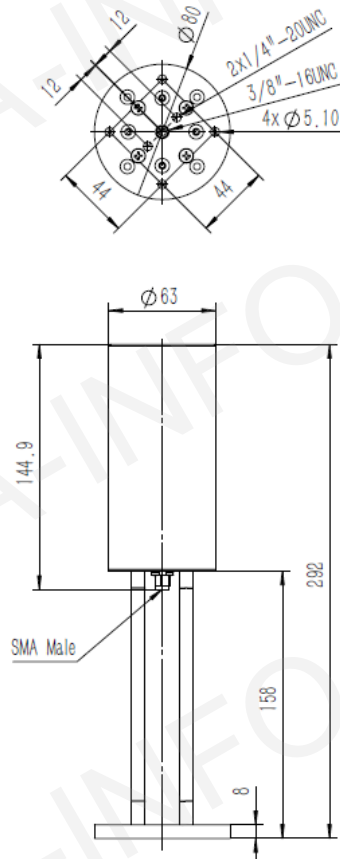
SMA-Male output



SMA-Female output with Round mounting bracket

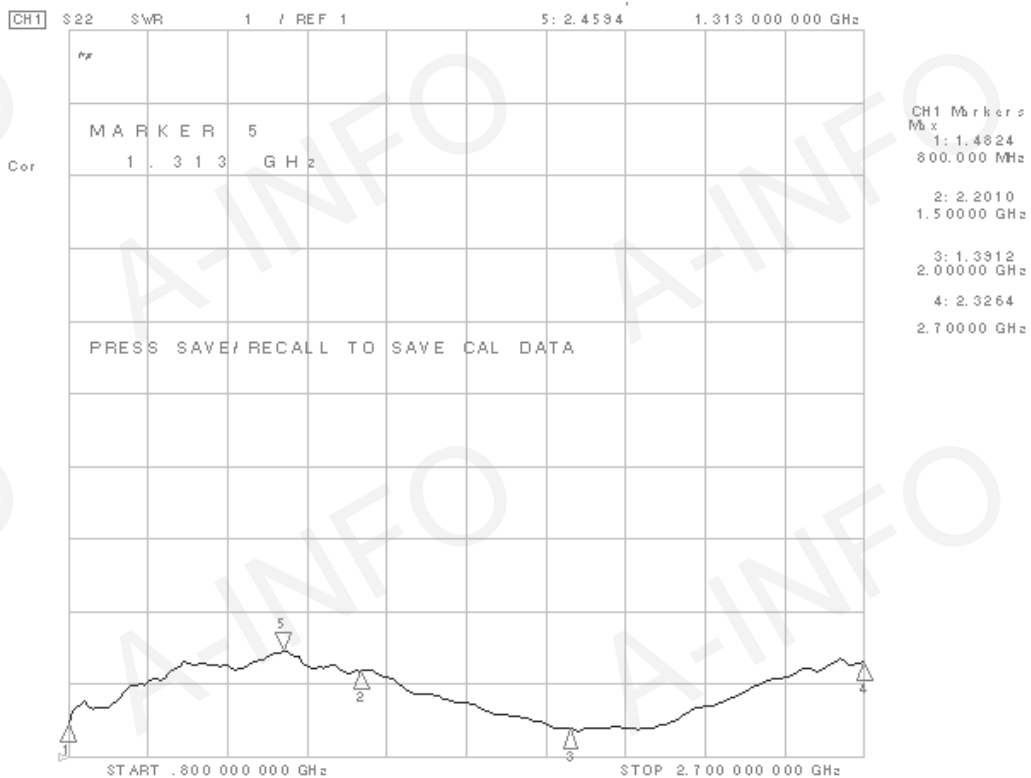


SMA-Male output with Round mounting bracket



Test Results

1. VSWR



2. Pattern

